

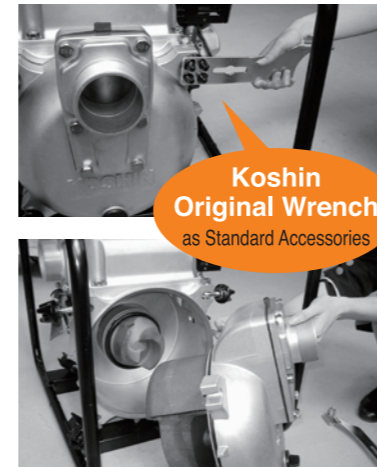


# HEAVY DUTY

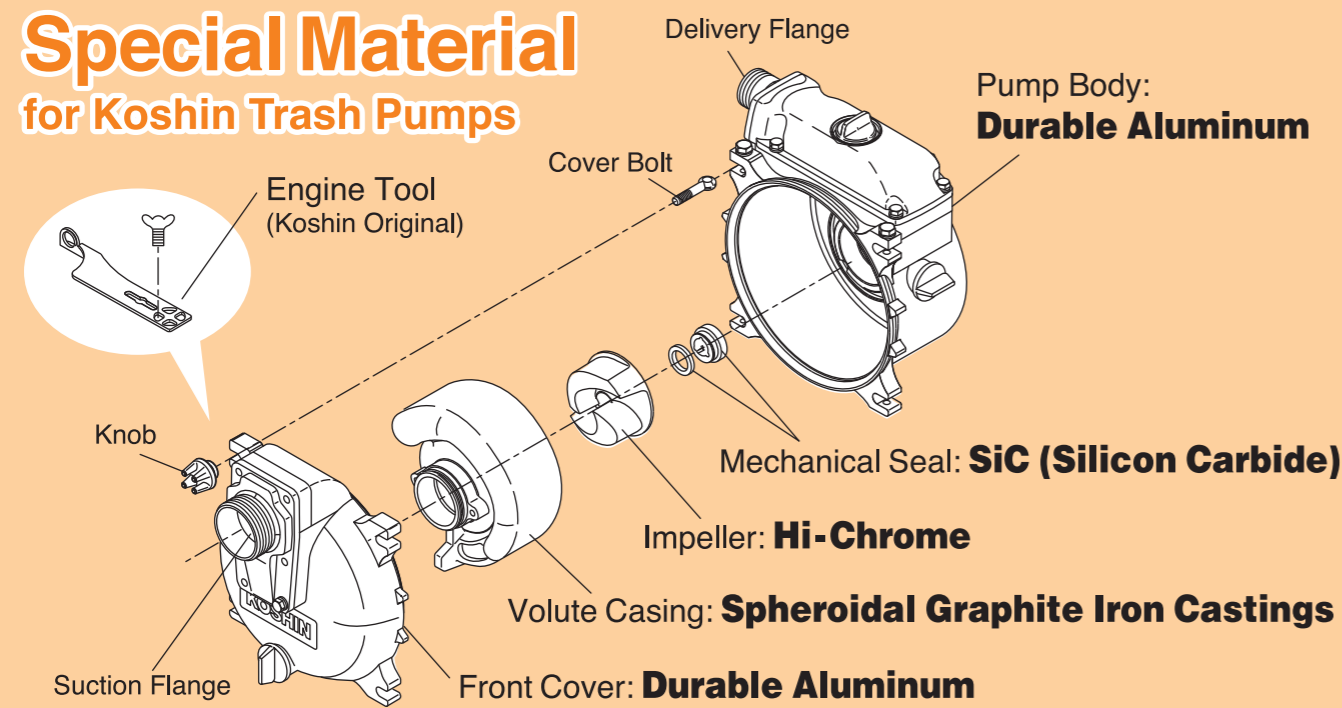
## Koshin Trash Pumps

- **Reasonable price**  
About 30% less price compared to same quality trash pumps.  
The most affordable price ever.
- **Excellent Quality**  
Provides powerful performance and long durability with New KOSHIN engine and enhanced pump.
- **Easy maintenance**  
Thoughtful flame for easy replacement of carburetor.  
You can clear inside of pump by simply removing pump casing with only one tool.

### Easy & Quick Maintenance



### Special Material for Koshin Trash Pumps



## Heavy Duty Trash Pumps



**New**

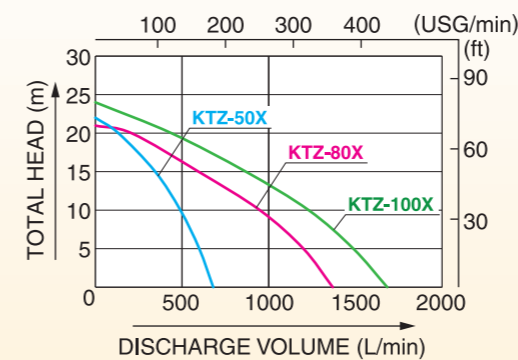


KTZ-80X

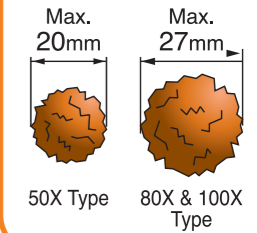


KTZ-100X

### Performance Curve



### Solid Sizes



### Specification

	Model	KTZ-50X	KTZ-80X	KTZ-100X
PUMP	Connection Dia	50 mm(2")	80 mm(3")	100 mm(4")
	Connection Thread	Outer Pipe Thread BSP or NPT		
	Total Head	22 m (72 ft)	21 m (68 ft)	24 m (78 ft)
	Delivery Volume	680 L/min (179 USG/min)	1370 L/min (361 USG/min)	1680 L/min (443 USG/min)
	Max.Suction Lift	8m (26 ft)		
	Material for Mechanical Seal	SiC (Silicon Carbide) x SiC		
	Material for Impeller	Hi-Chrome		
ENGINE	Material for Volute	FCD450		
	Type	Forced Air-Cooled 4-stroke Gasoline Engine		
	Model	Koshin K180	Koshin K300	Koshin K420
	Displacement	179cc	301cc	420cc
	Rated Output	3.1 kW (4.2PS) / 3600 rpm	5.0 kW (6.8 PS) / 3600 rpm	7.2 kW (9.8 PS) / 3600 rpm
	Max. Output	3.5 kW (4.8PS) / 3600 rpm	6.0 kW (8.2 PS) / 3600 rpm	8.6 kW (11.7 PS) / 3600 rpm
	Fuel	Automotive Unleaded Gasoline		
	Fuel Tank Capacity	3.6 L (0.95 USG)	5.9 L (1.5 USG)	5.9 L (1.5 USG)
	Continuous Operating Time	Approx. 2.0 hrs		
	Starting Method	Recoil Starter		
Standard Accessories	1 Strainer, 3 Hose Bands, 1 Engine Tool Set, 1 Multi Tool Wrench (BSP Type: 2 Hose Couplings)			
Net Weight	48.1 kg (106.0 lbs)	61.6 kg (135.8 lbs)	78.2 kg (172.4 lbs)	
Gross Weight	54 kg (119 lbs)	68.4 kg (150.8 lbs)	88.0 kg (194.0 lbs)	
Dimensions LxWxH (mm)	703 x 579 x 542	726 x 579 x 603	816 x 621 x 632	
Packing Unit	1			