



HEAVY DUTY

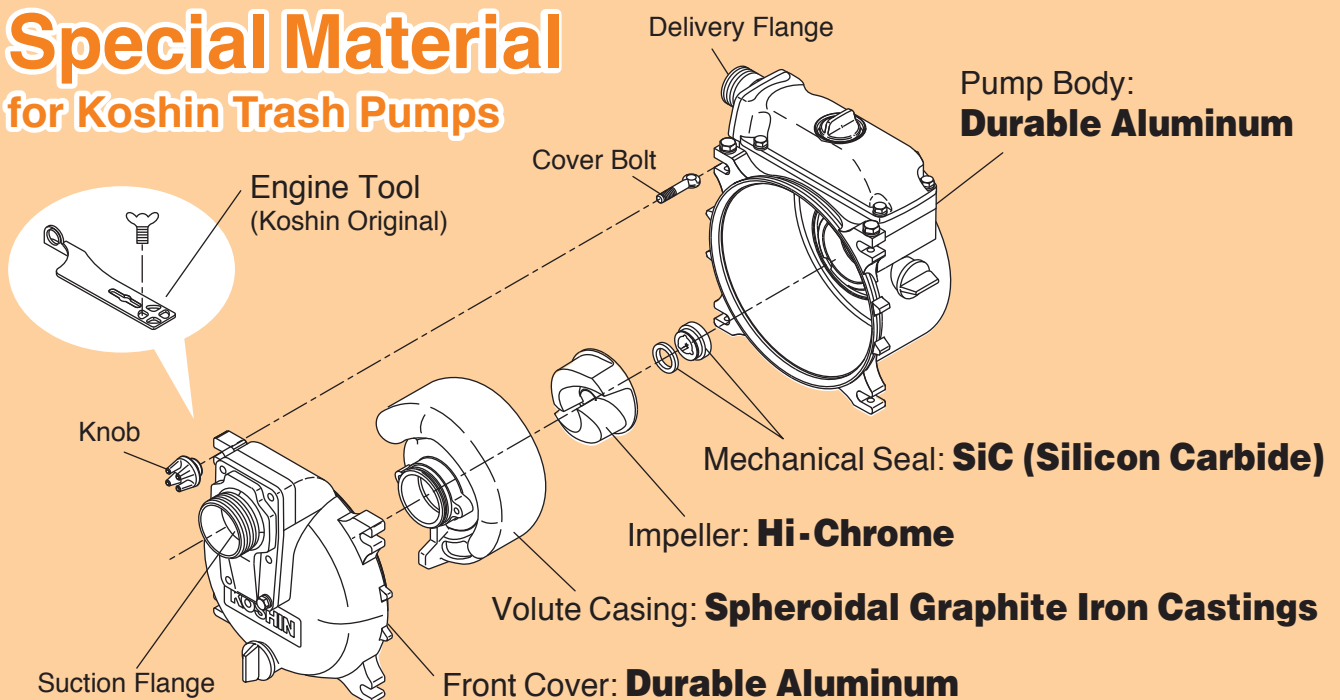
Koshin Trash Pumps

- **Reasonable price**
About 30% less price compared to same quality trash pumps.
The most affordable price ever.
- **Excellent Quality**
Provides powerful performance and long durability with New KOSHIN engine and enhanced pump.
- **Easy maintenance**
Thoughtful flame for easy replacement of carburetor.
You can clear inside of pump by simply removing pump casing with only one tool.

Easy & Quick Maintenance



Special Material for Koshin Trash Pumps



Heavy Duty Trash Pumps



New

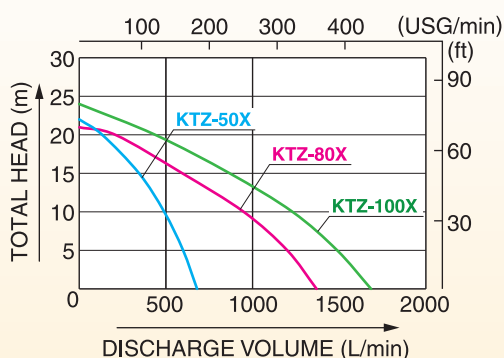


KTZ-80X

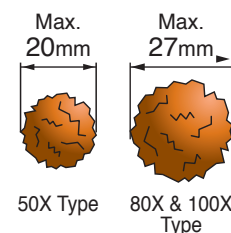


KTZ-100X

Performance Curve



Solid Sizes



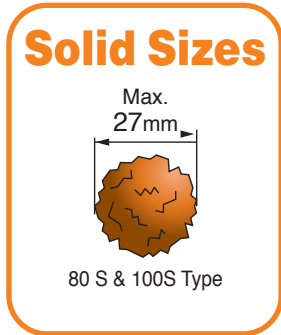
Specification

| | Model | KTZ-50X | KTZ-80X | KTZ-100X |
|-----------------------|--|---|----------------------------|-----------------------------|
| PUMP | Connection Dia | 50 mm(2") | 80 mm(3") | 100 mm(4") |
| | Connection Thread | Outer Pipe Thread BSP or NPT | | |
| | Total Head | 22 m (72 ft) | 21 m (68 ft) | 24 m (78 ft) |
| | Delivery Volume | 680 L/min (179 USG/min) | 1370 L/min (361 USG/min) | 1680 L/min (443 USG/min) |
| | Max.Suction Lift | 8 m (26 ft) | | |
| | Material for Mechanical Seal | SiC (Silicon Carbide) × SiC | | |
| | Material for Impeller | Hi-Chrome | | |
| Material for Volute | FCD 450 | | | |
| Type | Forced Air-Cooled 4-stroke Gasoline Engine | | | |
| ENGINE | Model | Koshin K180 | Koshin K300 | Koshin K420 |
| | Displacement | 179 cc | 301 cc | 420 cc |
| | Rated Output | 3.1 kW (4.2PS) / 3600 rpm | 5.0 kW (6.8 PS) / 3600 rpm | 7.2 kW (9.8 PS) / 3600 rpm |
| | Max. Output | 3.5 kW (4.8PS) / 3600 rpm | 6.0 kW (8.2 PS) / 3600 rpm | 8.6 kW (11.7 PS) / 3600 rpm |
| | Fuel | Automotive Unleaded Gasoline | | |
| | Fuel Tank Capacity | 3.6 L (0.95 USG) | 5.9 L (1.5 USG) | 5.9 L (1.5 USG) |
| | Continuous Operating Time | Approx. 2.0 hrs | | Approx. 1.5 hrs |
| | Starting Method | Recoil Starter | | |
| | Standard Accessories | 1 Strainer, 3 Hose Bands, 1 Engine Tool Set, 1 Multi Tool Wrench (BSP Type: 2 Hose Couplings) | | |
| Net Weight | 48.1 kg (106.0 lbs) | 61.6 kg (135.8 lbs) | 78.2 kg (172.4 lbs) | |
| Gross Weight | 54 kg (119 lbs) | 68.4 kg (150.8 lbs) | 88.0 kg (194.0 lbs) | |
| Dimensions L×W×H (mm) | 703 × 579 × 542 | 726 × 579 × 603 | 816 × 621 × 632 | |
| Packing Unit | 1 | | | |

New Design with Easy Maintenance

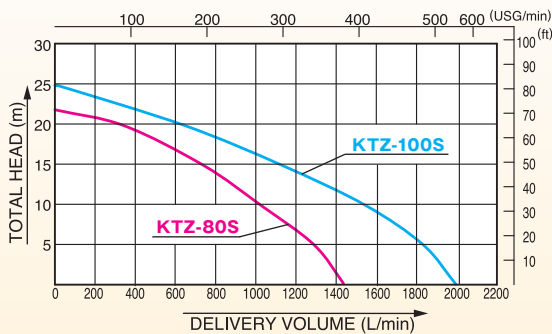
Powered by KOSHIN K300 & K420

- The front cover can be removed easily without removing hoses
- Handles on the front cover can be installed in vertical or horizontal position
- Easy removal of knobs
- New Impeller design with hexagon boss for easy installation and removal



KTZ-80S

Performance Curve



KTZ-100S

Specification

| Model | | KTZ-80S | KTZ-100S |
|-----------------------|------------------------------|---|-----------------------------|
| PUMP | Connection Dia | 80 mm(3") | 100 mm(4") |
| | Connection Thread | Outer Pipe Thread BSP or NPT | |
| | Total Head | 22 m (72 ft) | 25 m (82 ft) |
| | Delivery Volume | 1420 L/min (375 USG/min) | 1980 L/min (523 USG/min) |
| | Max.Suction Lift | 8m (26 ft) | |
| | Material for Mechanical Seal | Sic (Silicon Carbide) × Sic | |
| | Material for Impeller | Hi-Chrome | |
| Material for Volute | FCD450 | | |
| ENGINE | Type | Forced Air-Cooled 4-stroke Gasoline Engine | |
| | Model | Koshin K300 | Koshin K420 |
| | Displacement | 301cc | 420cc |
| | Rated Output | 5.0 kW (6.8 PS) / 3600 rpm | 7.2 kW (9.8 PS) / 3600 rpm |
| | Max. Output | 6.0 kW (8.2 PS) / 3600 rpm | 8.6 kW (11.7 PS) / 3600 rpm |
| | Fuel | Automotive Unleaded Gasoline | |
| | Fuel Tank Capacity | 5.9L (1.5 USG) | |
| | Continuous Operating Time | Approx. 2 hrs | Approx. 1.5 hrs |
| | Starting Method | Recoil Starter | |
| | Standard Accessories | 1 Strainer, 3 Hose Bands, 1 Engine Tool Set, 1 Multi Tool wrench (BSP Type: 2 Hose Couplings) | |
| Net Weight | 65.3 kg (144.0 lbs) | 81.2 kg (179.0 lbs) | |
| Gross Weight | 72.6 kg (160.1 lbs) | 90.5 kg (199.5 lbs) | |
| Dimensions L×W×H (mm) | 729 × 589 × 602 | 800 × 621 × 624 | |
| Packing Unit | 1 | | |