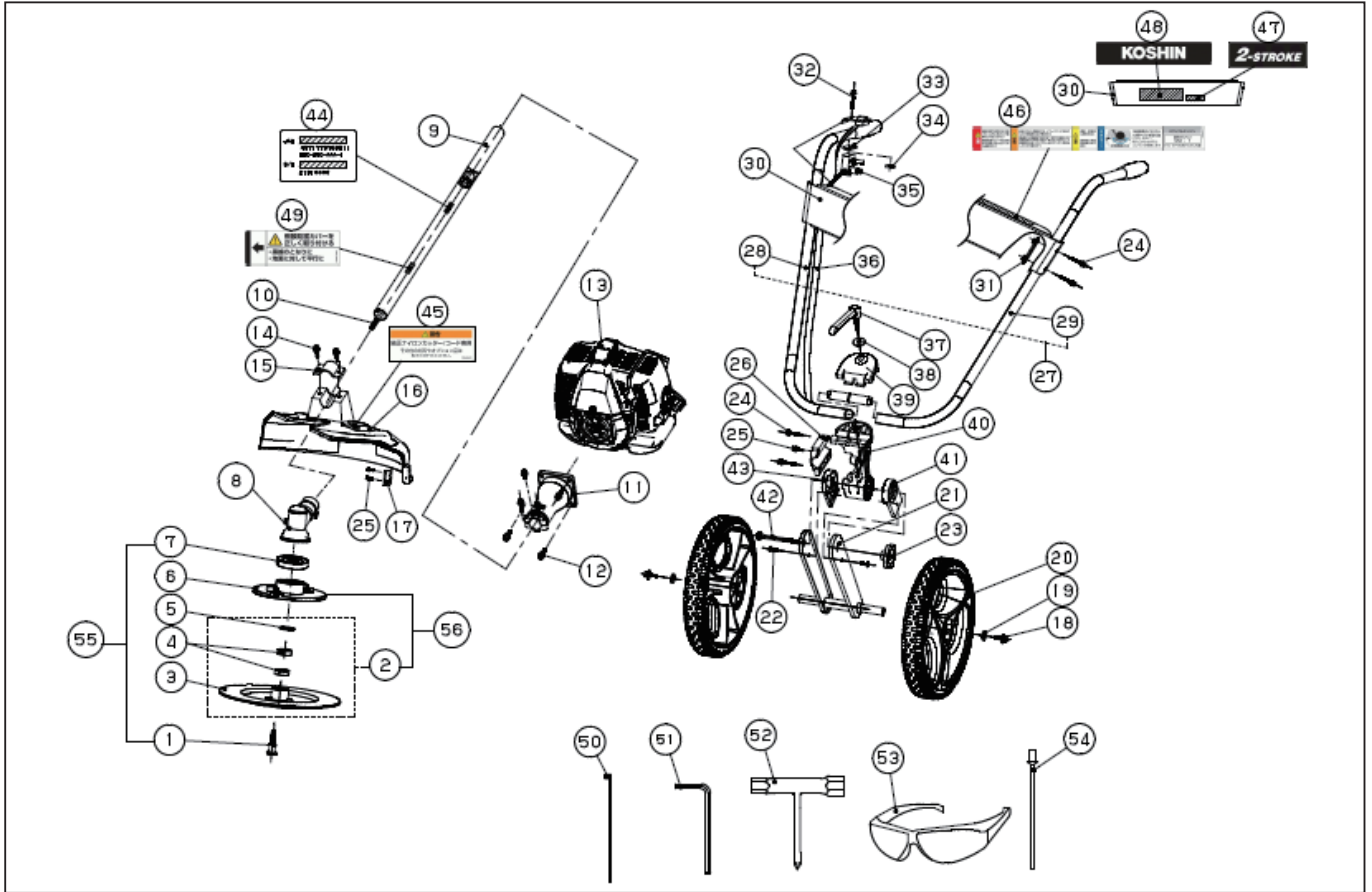


DWG No.076850110 MODEL : EBC-26C FORM : EBC-26C-AAA-4

| No. | PARTS CODE | PARTS NAME | QTY | MATERIAL/SIZE | REMARKS |
|-----|------------|-----------------------------|-----|---------------|--------------------|
| 1 | 0561147 | SBC-3625C2 BOLT | 1 | | |
| 2 | 0768012 | EBC-35C PROTECT PLATE ASSY | 1 | | |
| 3 | 0760097 | EBC-35C PROTECT PLATE | 1 | | No.2 0768012 ONLY |
| 4 | 0760099 | EBC-35C BEARING | 2 | | |
| 5 | 0760100 | EBC-35C CHECK RING | 1 | | |
| 6 | 0760104 | EBC-26C NYLON HEAD | 1 | | |
| 7 | 0760130 | EBC-26C SPLINE PAD | 1 | | |
| 8 | 0768001 | EBC-26C GEAR CASE ASSY | 1 | | |
| 9 | 0768008 | EBC-26C SHAFT PIPE ASSY | 1 | | |
| 10 | 0760030 | EBC-26C SHAFT | 1 | | |
| 11 | 0768002 | EBC-26C CLUTCH ASSY | 1 | | |
| 12 | 0760061 | EBC-26C BOLT | 4 | M6 × 20 | |
| 13 | 1001546 | KC26-A1-B ENGINE | 1 | | |
| 14 | 0760062 | EBC-26C SCREW | 2 | M5 × 20 | |
| 15 | 0760019 | EBC-26C PRETECT GUARD PLATE | 1 | | |
| 16 | 0760009 | EBC-26C PRETECT GUARD ASSY | 1 | | |
| 17 | 0760121 | EBC-35C BLADE | 1 | | |
| 18 | 0760022 | EBC-26C BOLT | 2 | M6 × 12 | |
| 19 | 0760023 | EBC-26C WASHER | 2 | | |
| 20 | 0760178 | EBC-C WHEEL ASSY | 2 | | |
| 21 | 0768003 | EBC-26C WHEEL HOLDER | 1 | | |
| 22 | 0760064 | EBC-26C PAN HEAD BOLT | 2 | M5 × 14 | |
| 23 | 0768004 | EBC-26C FIXED HANDLE | 1 | | |
| 24 | 0760066 | EBC-26C BOLT | 8 | M5 × 30 | |
| 25 | 0760067 | EBC-26C BOLT | 3 | M5 × 12 | |
| 26 | 0760006 | EBC-26C PIPE PLATE | 1 | | |
| 27 | 0768019 | EBC-C HANDLE COMBINATION | 1 | | No.28,29 SET |
| 28 | 0768016 | EBC-C SPLIT HANDLE (RIGHT) | 1 | | No.27 0768019 ONLY |
| 29 | 0768017 | EBC-C SPLIT HANDLE (LEFT) | 1 | | No.27 0768019 ONLY |
| 30 | 0760132 | EBC-C CONNECTING PLATE | 1 | | |

◆ Bare engine can not be supplied



DWG No.076850110 MODEL : EBC-26C FORM : EBC-26C-AAA-4

| No. | PARTS CODE | PARTS NAME | QTY | MATERIAL/SIZE | REMARKS |
|-----|------------|---------------------------------|-----|---------------|------------------------|
| 31 | 0760133 | EBC-C FIXED PLATE | 2 | | |
| 32 | 0760069 | EBC-26C SCREW | 1 | M5 × 40 | |
| 33 | 0760071 | EBC-26C RUBBER GASKET | 1 | | |
| 34 | 0760072 | EBC-26C NUT | 1 | | |
| 35 | 0768006 | EBC-26C THROTTLE CONTROL HANDLE | 1 | | |
| 36 | 0768007 | EBC-26C THROTTLE CABLE COMP | 1 | | |
| 37 | 0760105 | EBC-35C CLAMP HANDLE | 1 | | |
| 38 | 0760123 | EBC-26C WASHER | 1 | | |
| 39 | 0760020 | EBC-26C UPPER PRESS PLATE | 1 | | |
| 40 | 0760005 | EBC-26C HANDLE HOLDER BLOCK | 1 | | |
| 41 | 0760007 | EBC-26C WHEEL HODEL BLOCK B | 1 | | |
| 42 | 0760027 | SQUARE NECK BOLT | 1 | M8 × 90 | |
| 43 | 0760008 | EBC-26C WHEEL HODEL BLOCK A | 1 | | |
| 44 | 0760015 | EBC-26C CARON BOX LABLE | 2 | | |
| 45 | 0760003 | EBC-26C PROTECT GUARD LABLE | 1 | | |
| 46 | 0760004 | PIPE LABLE | 1 | | |
| 47 | 0760177 | EBC-C 2STROKE LABEL | 1 | | |
| 48 | 0760136 | EBC-C BRAND LABEL | 1 | | |
| 49 | 0760115 | EBC PRETECT PLATE LABLE | 1 | | |
| 50 | 0760086 | EBC-26C BUNDLE 4*150 | 4 | | |
| 51 | 0760087 | EBC-26C INTERNAL HEXAGOALWRENCH | 1 | | |
| 52 | 0760131 | EBC-26C CROSS SOCKET WRENCH | 1 | 17 × 19 | |
| 53 | 0760051 | EBC-26C PROTECT GLASSES | 1 | | |
| 54 | 0208611 | PA-429 NYLON CUTTER LINE | 1 | φ 3 20SET | PA-429(4971770-201118) |
| 55 | 0208613 | SPLINE PAD COMBINATION EBC-26C | 1 | No.1+No.7 | PA-434(4971770-201132) |
| 56 | 0208612 | PA-431 NYLON CUTTER | 1 | No.2+No.6 | PA-431(4971770-201125) |
| | 0760002 | EBC-26C MANUAL | 1 | | |

◆ Bare engine can not be supplied