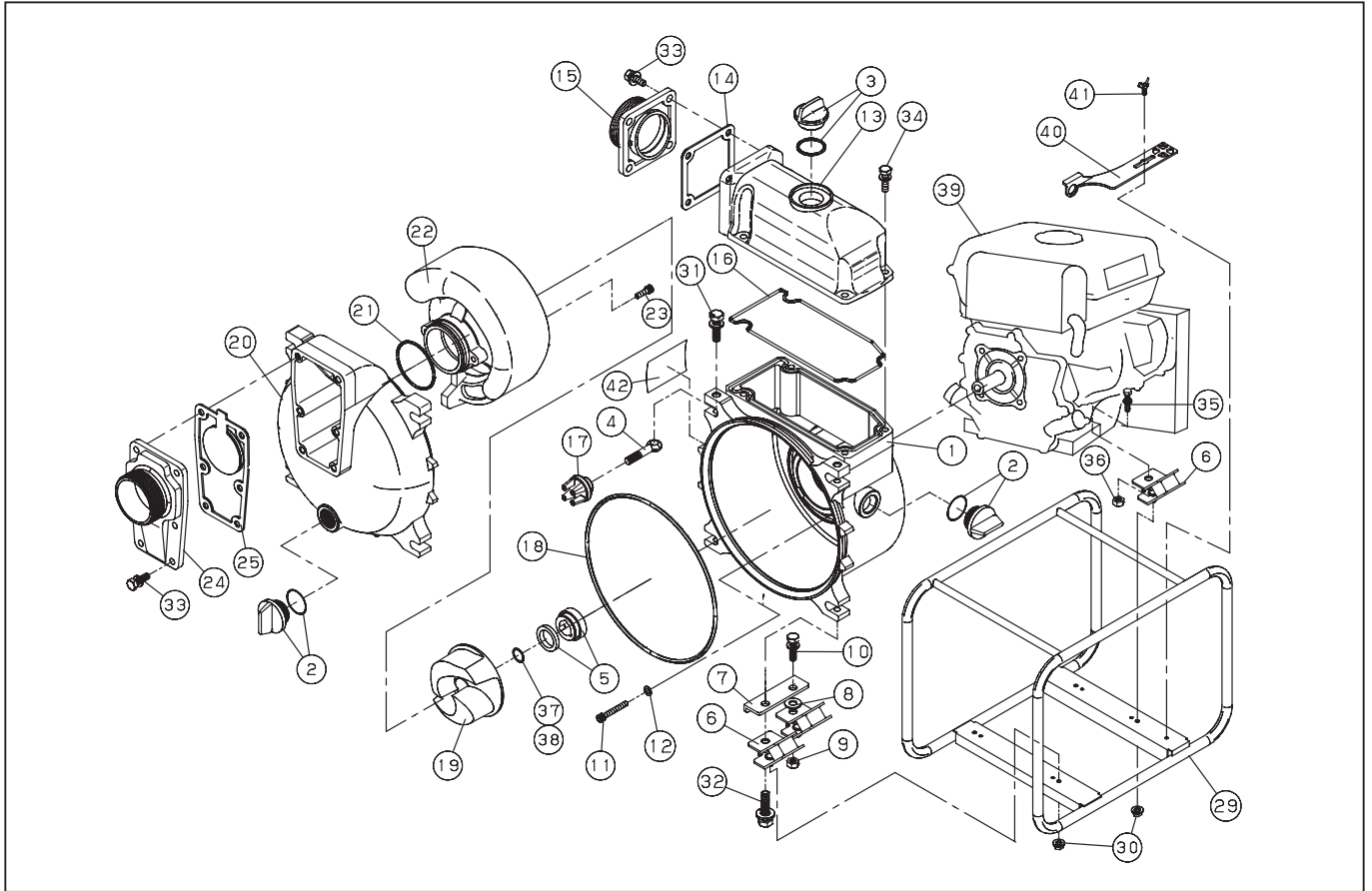


# KTH-100X

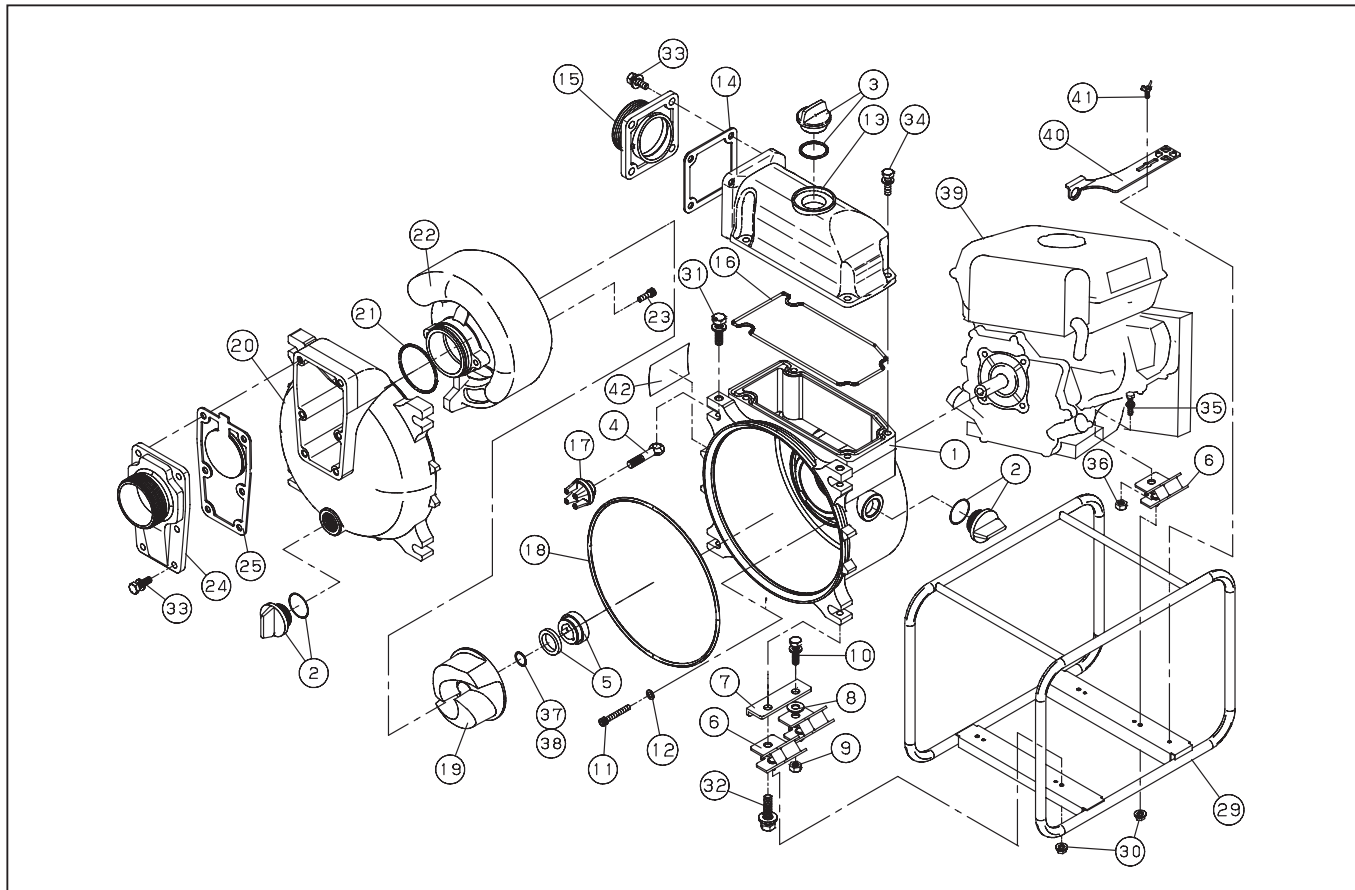


DWG No. 012869007 MODEL:KTH-100X FORM:KTH-100X-BAA-0

No.	PARTS CODE	PARTS NAME	QTY	MATERIAL	SIZE	REMARKS	PRICE (JPNY)
1	011615003	PUMP CASING	1				
2	011807901	25A PLUG SET	2				
3	011845001	32A PLUG SET	1				
4	011558002	COVER BOLT	4				
5	011567802	MECHANICAL SEAL	1	EH791-25 SICXSIC			
6	011617202	CUSHION RUBBER	6	CR 60°			
7	011627301	RUBBER MOUNT	2	SPC	T4.5		
8	846211012	WASHER	2		12		
9	827419012	HEXAGON NUT	2	SWRM	M12		
10	743119076	HEXAGON BOLT	2	SWRM	M12X25		
11	011649201	HEXAGON SOCKET BOLT	4	SCM	M8X50		
12	011649302	WASHER	4	ALUMINIUM A1100 PH14		φ 8	
13	011614801	DELIVERY HOUSING	1	ADC			
14	011075002	DELIVERY FLANGE PACKING	1	CR			
15	011299601	DELIVERY FLANGE	1	AC			
16	011554801	HEAD PACKING	1	NBR70°			
17	011559002	KNOB	4				
18	011557901	FRONT COVER PACKING	1	NBR			
19	011562603	IMPELLER	1				
20	011649003	FRONT COVER	1	ADC			
21	011627001	O-RING	1	NBR φ 104.5X φ 3.5			
22	011648802	VOLUTE CASING	1	FCD450			
23	011641901	HEXAGON SOCKET BOLT	3	SUS	M8		
24	011157902	SUCTION FLANGE	1				
25	011826101	CHECK VALVE	1				
26	827419008	HEXAGON NUT	1	SWRM	M8		
27	854255008	SEAL WASHER	1		φ 8		
28	843822008	SPRING WASHER	1		φ 8		
29	011770201	BASE SET	1		NO.366		
30	842319008	SPRING NUT	6	SWRM	M8		

◆ Bare engine can not be supplied

# KTH-100X



DWG No. 012869007 MODEL:KTH-100X FORM:KTH-100X-BAA-0

No.	PARTS CODE	PARTS NAME	QTY	MATERIAL	SIZE	REMARKS	PRICE (JPNY)
31	743119083	HEXAGON BOLT	2	SWRM	M12X45		
32	743119084	HEXAGON BOLT	2	SWRM	M12X50		
33	743119080	HEXAGON BOLT	10	SWRM	M12X35		
34	743119063	HEXAGON BOLT	4	SWRM	M10X30		
35	743119067	HEXAGON BOLT	2	SWRM	M10X40		
36	827419010	HEXAGON NUT	2	SWRM	M10		
37	011056102	IMPELLER ADJUSTING WASHER	1	BSP			
38	011640501	IMPELLER ADJUSTING WASHER	2	BSP1	0.1MM		
39	011447903	ENGINE WITH OIL ALERT	1				
40	011620401	TOOL	1	SPC			
41	741305153	WING BOLT	1	SUS	M8X15		
42	011648902	NAME PLATE	1				
	012079501	OPERATION MANUAL	1				
	011649101	PACKING CASE	1				

◆ Bare engine can not be supplied