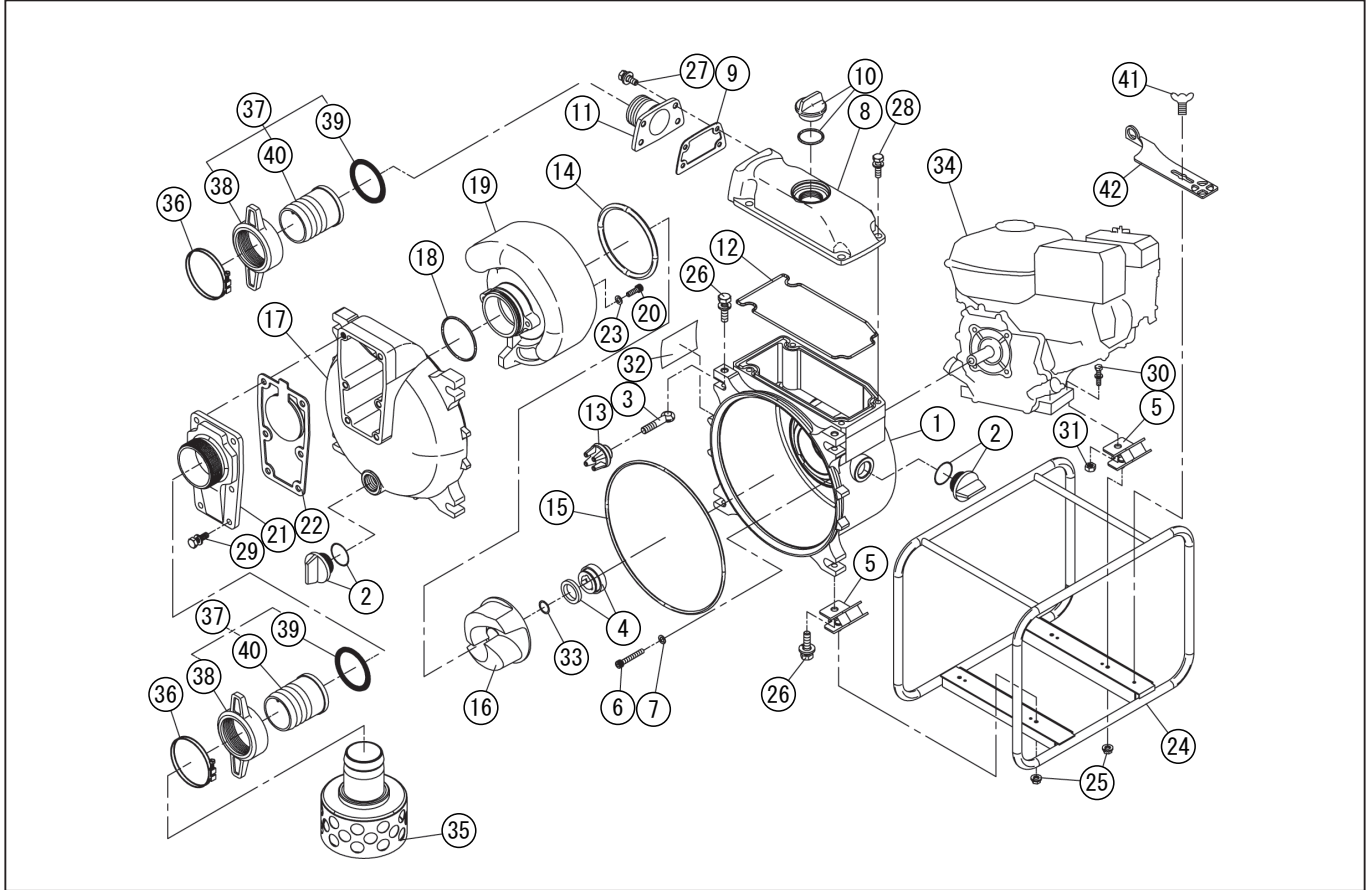


DWG No.012856914 MODELE : KTH-50X FORM : KTH-50X-BAB-4(GX160UT2)

No.	PARTS CODE	PARTS NAME	QTY	MATERIAL/SIZE	REMARKS
1	0115446	PUMP BODY	1	ADC	
2	0118079	25A PLUG SET	2		
3	0115580	COVER BOLT	4	S35C	
4	0115159	MECHANICAL SEAL	1	HJ-20(B)BSIC	
5	0116172	CUSHION RUBBER	4	CR 60°	
6	0116517	SOCKET BOLT	4	M8×60 SCM	
7	0116493	WASHER	4	A1100 PH14	
8	0115445	DELIVERY HOUSING	1	ADC	
9	0115490	DELIVERY FLANGE PACKING	1	CR	
10	0118450	32A PLUG SET	1		
11	0115840	DELIVERY FLANGE(PS)	1	ADC	
12	0115548	HEAD PACKING	1	NBR70°	
13	0115590	KNOB	4		
14	0115578	CASING PACKING	1	NBR	
15	0115579	FRONT COVER PACKING	1	NBR	
16	0115447	IMPELLER	1	HRFC	
17	0121900	FRONT COVER	1	ADC	
18	0115676	O-RING	1	NBR	
19	0121897	VOLUTE CASING	1	FCD450	
20	0121539	HEXAGON SOCKET BOLT	3	M8×35 A2-80	
21	0115839	SUCTION FLANGE	1	ADC12	
22	0115780	CHECK VALVE PACKING	1	NBR	
23	0121540	SEAL WASHER	3	8.1X17XT2 MFZN II +HC	
24	0117816	BASE SET	1		
25	842319008	SPRING NUT	4	SWRM	
26	743119083	HEXAGON BOLT	4	SWRM M12X45	
27	743119046	HEXAGON BOLT	4	M8X22 SWRM	
28	743119063	HEXAGON BOLT	4	M10X30 SWRM	
29	743119061	HEXAGON BOLT	6	M10X25 SWRM	
30	743119051	HEXAGON BOLT	2	M8X35 SWRM	



DWG No.012856914 MODELE : KTH-50X FORM : KTH-50X-BAB-4(GX160UT2)

No.	PARTS CODE	PARTS NAME	QTY	MATERIAL/SIZE	REMARKS
31	838719008	HXAGON NUT	2	M8	
32	0115858	NAME PLATE	1	T0.05	
33	0110491	IMPELLER ADJUSTING WASHER	3	BSP	
34	0114303	ENGINE(WITH ALART)	1	HONDA GX160UT2WKT2	
35	0110977	STRAINER	1	SPC	
36	940407060	HOSE BAND	3	2"	
37	0117026	COUPLING SET	2		
38	0113390	COUPLING	2	ABS	
39	0113391	COUPLING PACKING	2	NBR	
40	0110356	HOSE NIPPLE	2	ABS	
41	741305153	WING BOLT	1	M8×15	
42	0115778	TOOL	1	SPC	
	0115857	PACKING CASE	1		

◆ Bare engine can not be supplied