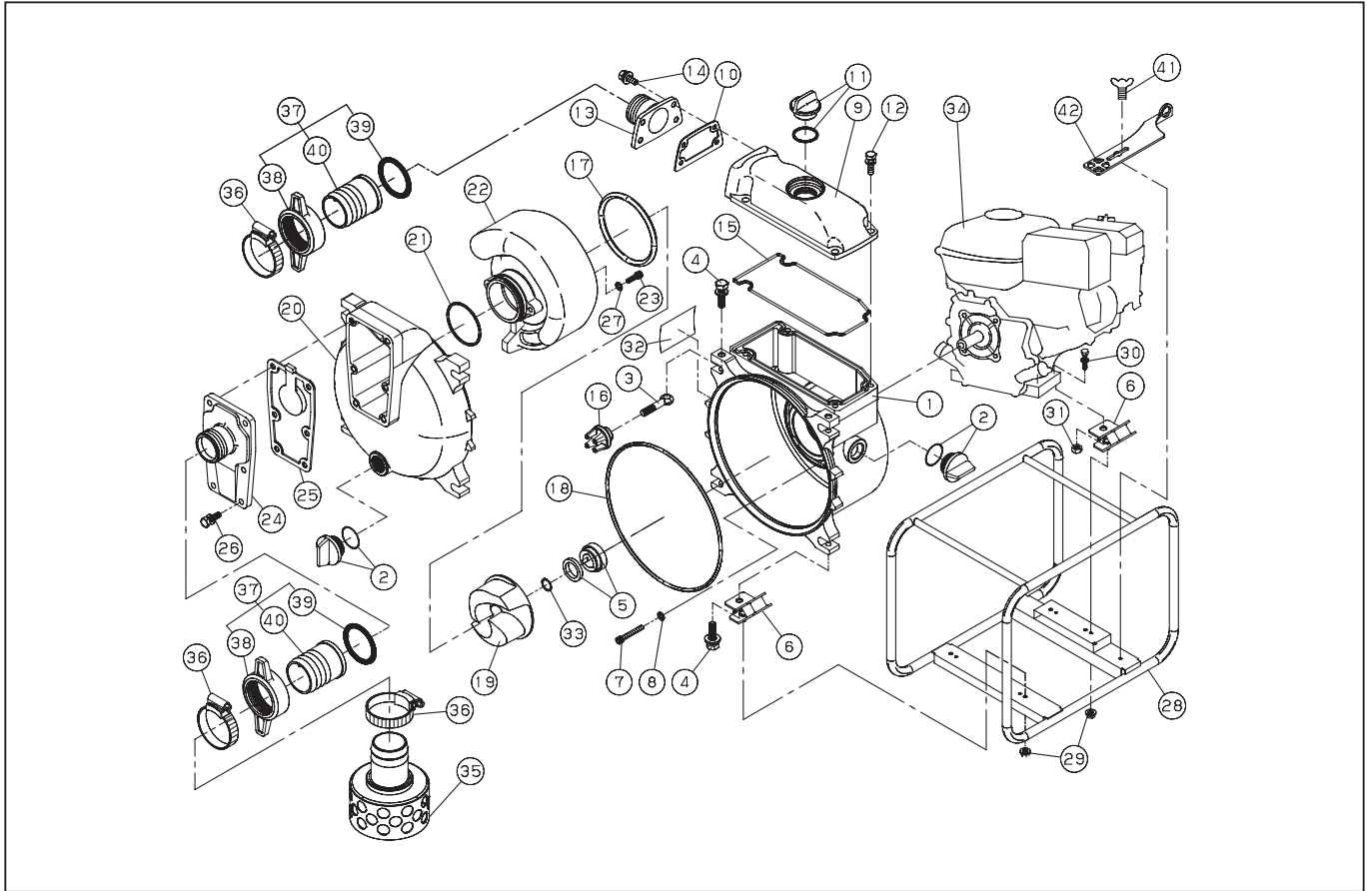


# EMP205T

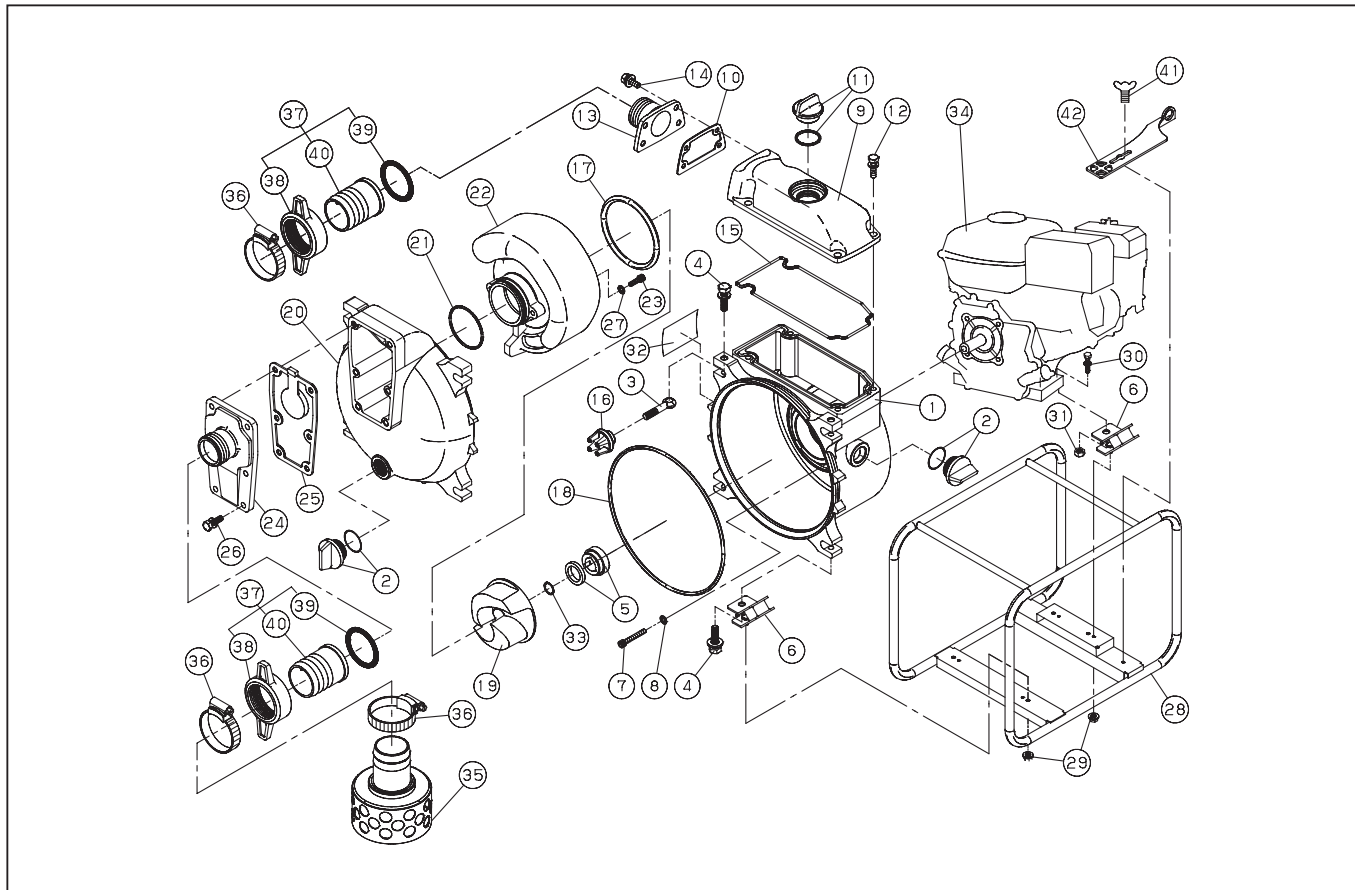


DWG No.012897902 MODEL:KTH-50X FROM:KTH-50X-BAP (EMP205T)

No.	PARTS CODE	PARTS NAME	QTY	MATERIAL	SIZE	REMARKS
1	011544605	Pump Casing	1			
2	011807901	25A Plug Set	2			
3	011558002	Cover Bolt	4			
4	743119083	Bolt	4	SWRM	M12X45	
5	011515902	Mechanical Seal	1			
6	011617202	Wt Cushion Rubber	4	CR 60°		
7	011651701	Socket Bolt	4	SCM	M8X60	
8	011649302	Washer	4	ALUMINIUM	φ 8	
9	011544502	Delivery Housing	1	ADC		
10	011549001	Flange Packing	1	CR		
11	011845001	32A Plug Set	1			
12	743119046	Bolt	4	SWRM	M8X22	
13	011584001	Delivery Flange	1	ADC		
14	743119063	Bolt	4	SWRM	M10X30	
15	011554801	Head Packing	1	NBR70°		
16	011559002	Knob	4			
17	011557801	Casing Packing	1	NBR		
18	011557901	Front Cover Packing	1	NBR		
19	011544703	Impeller	1			
20	011554501	Front Cover	1	ADC		
21	011567601	O-Ring	1	NBR		
22	011548904	Volute Casing	1			
23	734505066	Socket Bolt	2	SUS	M8X25	
24	011583901	Suction Flange	1	ADC		
25	011578001	Check Valve	1	NBR		
26	743119061	Bolt	6	SWRM	M10X25	
27	854255008	Seal Washer	2		φ 8	
28	011781601	Base Set	1			
29	842319008	Spring Nut	4	SWRM	M8	
30	743119051	Bolt	2	SWRM	M8X35	

◆ Bare engine can not be supplied

# EMP205T



DWG No.012897902 MODEL:KTH-50X FROM:KTH-50X-BAP (EMP205T)

No.	PARTS CODE	PARTS NAME	QTY	MATERIAL	SIZE	REMARKS
31	838719008	Nut	2		M8	
32	012074901	Name Plate	1			
33	011049102	Adjusting Washer	3	BSP		
34	011430302	Engine	1	HONDA GX160U1WKT2		
35	011097703	Strainer	1	SPC	50M	
36	940407060	Hose Band	3		2 "	
37	011702602	Coupling Set	2	ABS		
38	011339002	Coupling	2	ABS		
39	011339101	Coupling Packing	2	NBR		
40	011035605	Hose Nipple	2	ABS		
41	741305153	Wing Bolt	1	SUS	M8X15	
42	011577802	Tool	1	SPC		
	011627501	Packing Case	1			
	011591103	Operation Manual	1			

◆ Bare engine can not be supplied