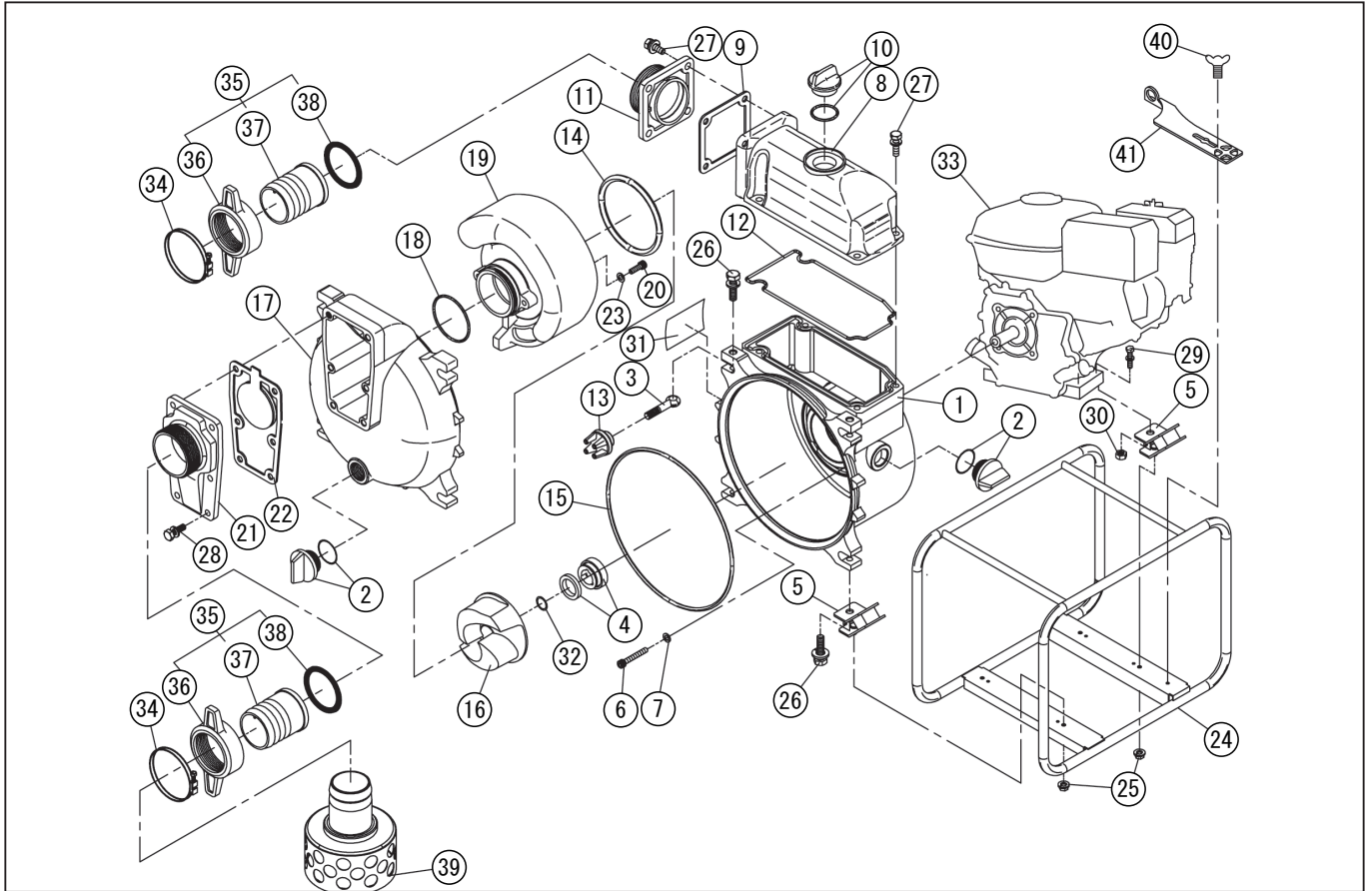


DWG No.012885606 MODELE : KTM-50X FORM : KTM-50X-BAC-1(GM182)

No.	PARTS CODE	PARTS NAME	QTY	MATERIAL/SIZE	LIST PRICE	REMARKS
1	0115446	PUMP BODY	1	ADC	13,850	
2	0118079	25A PLUG SET	2		300	
3	0115580	COVER BOLT	4	S35C	500	
4	743119083	HEXAGON BOLT	4	SWRM M12X45	150	
5	0115159	MECHANICAL SEAL	1	HJ-20(B)BSIC	8,400	
6	0116172	CUSHIN RUBBER	4	CR 60°	1,150	
7	0116516	SOCKET BOLT	4	M8X55 SCM	150	
8	0116493	WASHER(AL.)	4	φ 8 A1100 PH14	100	
9	0115445	DELIVERY HOUSING	1	ADC	1,800	
10	0115490	DELIVERY FLANGE PACKING	1	CR	300	
11	0118450	32A PLUG SET	1		470	
12	743119046	HEXAGON BOLT	4	M8X22 SWRM	100	
13	0115840	DELIVERY FLANGE	1	ADC	1,850	
14	743119063	HEXAGON BOLT	4	M10X30 SWRM	100	
15	0115548	HEAD PACKING	1	NBR70°	300	
16	0115590	KNOB	4		1,150	
17	0115578	CASING PACKING	1	NBR	500	
18	0115579	FRONT COVER PACKING	1	NBR	600	
19	0115447	IMPELLER	1	HRFC	26,500	
20	0121900	FRONT COVER	1	ADC	8,200	
21	0115676	O-RING	1	NBR	150	
22	0121897	VOLUTE CASING	1	FCD450	15,800	
23	0121539	SOCKET BOLT	3	M8X35 A2-80	400	
24	0115839	SUCTION FLANGE	1	ADC12	1,650	
25	0115780	CHECK VALVE PACKING	1	NBR NEO-180	1,350	
26	743119061	HEXAGON BOLT	6	M10X25 SWRM	100	
27	0121540	WASHER	3	8.1X17XT2 MFZN II -HC	100	
28	0117572	BASE SET	1		10,500	
29	842319008	SPRING NUT	4	M8 SWRM	100	
30	743119051	HEXAGON BOLT	2	M8X35 SWRM	100	

◆ Bare engine can not be supplied



DWG No.012885606 MODELE : KTM-50X FORM : KTM-50X-BAC-1(GM182)

No.	PARTS CODE	PARTS NAME	QTY	MATERIAL/SIZE	LIST PRICE	REMARKS
31	838719008	HXAGON NUT	2	M8	100	
32	0120011	NAME PLATE	1	T0.05	100	
33	0110491	IMPELLER ADJUSTING WASHER	3	BSP	100	
34	0120013	ENGINE(WITH ALERT)	1	mitsubishi GM182PN-73A	-	
35	0110977	STRAINER	1	SPC	3,500	
36	940407060	HOSE BAND	3	2"	700	
37	0117026	COUPLING SET	2		900	
38	0113390	COUPLING	2	ABS	550	
39	0110356	HOSE NIPPLE	2	ABS	250	
40	0113391	COUPLING PACKING	2	NBR	100	
	0115928	PACKING CASE	1	K6W	4,600	

◆ Bare engine can not be supplied