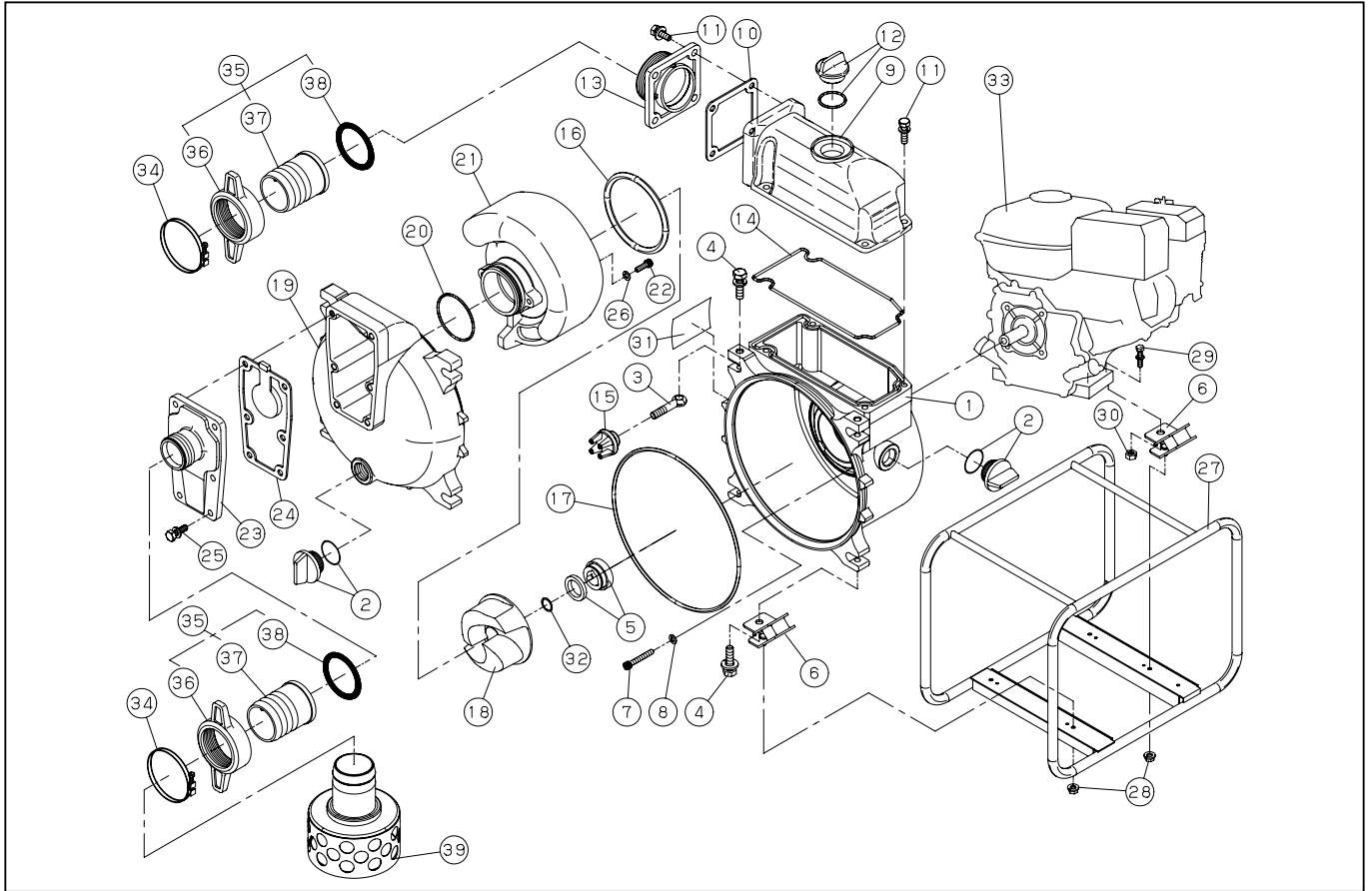


# KTM-80X

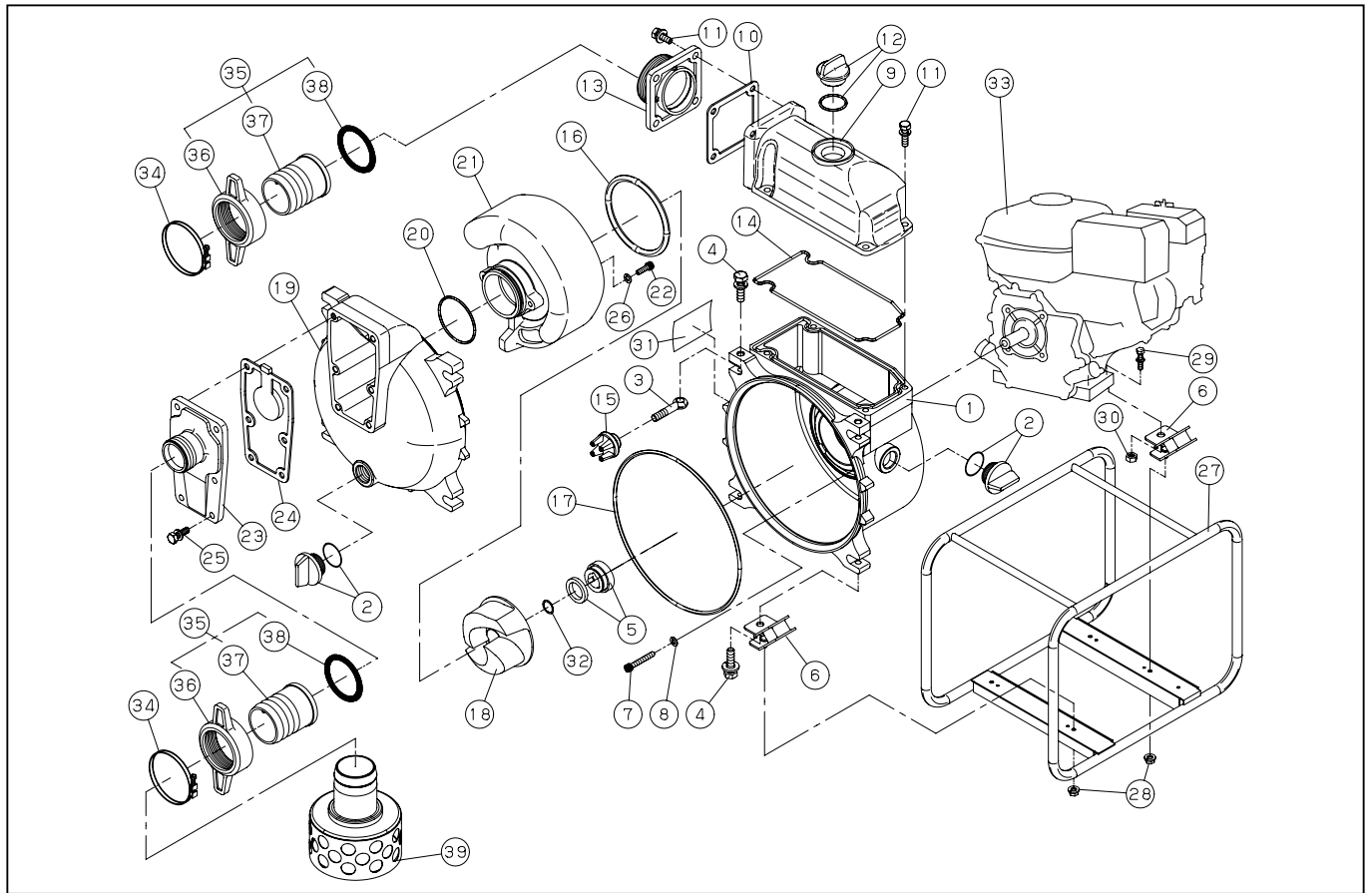


DWG No.012860903 MODEL:KTM-80X FORM:KTM-80X-BAB-0

No.	PARTS CODE	PARTS NAME	QTY	MATERIAL	SIZE	REMARKS
1	011554602	PUMP BODY	1	ADC		18,000
2	011807901	25A PLUG SET	2			260
3	011558001	COVER BOLT	4	S35C		500
4	743119083	HEXAGON BOLT	4	SWRM	M12X45	120
5	011567801	MECHANICAL SEAL	1	EH791-25 SIC X SIC		12,000
6	011567901	RUBBER MOUNT	4	CR		1,100
7	011649201	HEXAGON SOCKET BOLT	4	SCM	M8X50	110
8	011649301	WASHER	4	ALMINIUM	φ 8	110
9	011554702	DELIVERY HOUSING	1	ADC		7,700
10	011058402	DELIVERY FLANGE PACKING	1	CR		150
11	743119063	HEXAGON BOLT	8	SWRM	M10X30	110
12	011845001	32A PLUG SET	1			380
13	011583801	DELIVERY FLANGE	1	ADC		2,000
14	011554801	HEAD PACKING	1	NBR		270
15	011559001	KNOB	4			660
16	011557801	CASING PACKING	1	NBR		480
17	011557901	FRONT COVER PACKING	1	NBR		540
18	011555802	IMPELLER	1	HRFC		25,000
19	011554501	FRONT COVER	1	ADC		11,000
20	011567601	O-RING	1	NBR		140
21	011555902	VOLUTE CASING	1	FCD		26,000
22	734505066	HEXAGON SOCKET BOLT	2	SUS	M8X25	110
23	011157302	SUCTION FLANGE	1	ADC		2,600
24	011569201	CHECK VALVE PACKING	1	NBR		1,300
25	743119061	HEXAGON BOLT	6	SWRM	M10X25	110
26	854255008	SEAL WASHER	2		φ 8	110
27	011757401	BASE SET	1			12,000
28	842319008	SPRING NUT	4	SWRM	M8	110
29	743119065	HEXAGON BOLT	2	SWRM	M10X35	110
30	827419010	HEXAGON NUT	2	SWRM	M10	110

◆ Bare engine can not be supplied

# KTM-80X



DWG No.012860903 MODEL:KTM-80X FORM:KTM-80X-BAB-0

No.	PARTS CODE	PARTS NAME	QTY	MATERIAL	SIZE	REMARKS
31	011595702	NAME PLATE	1			120
32	011008101	IMPELLER ADJUSTING WASHER	3		T0.3	110
33	011447202	ENGINE	1	mitsubishi GM291PN-702		-
34	940407090	HOSE BAND	3		3"	640
35	011702802	COUPLING SET	2	ABS		1,000
36	011437502	COUPLING	2	ABS		470
37	011030105	HOSE NIPPLE	2	ABS		460
38	011437801	COUPLING PACKING	2	NBR		110
39	011097803	STRAINER	1	SPC		4,800
	011595601	PACKING CASE	1			4,600
	011593003	OPERATION MANUAL	1			1,300
	011471806	CE MARK LABEL	1			110
	011471302	CAUTION LABEL	1			380
	011473401	ENGINE CAUTION LABEL A	1			110
	011473501	ENGINE CAUTION LABEL B	1			110
	011488403	DECLARATION	1			110
	011641201	EU NOISE LABEL	1			110

◆ Bare engine can not be supplied