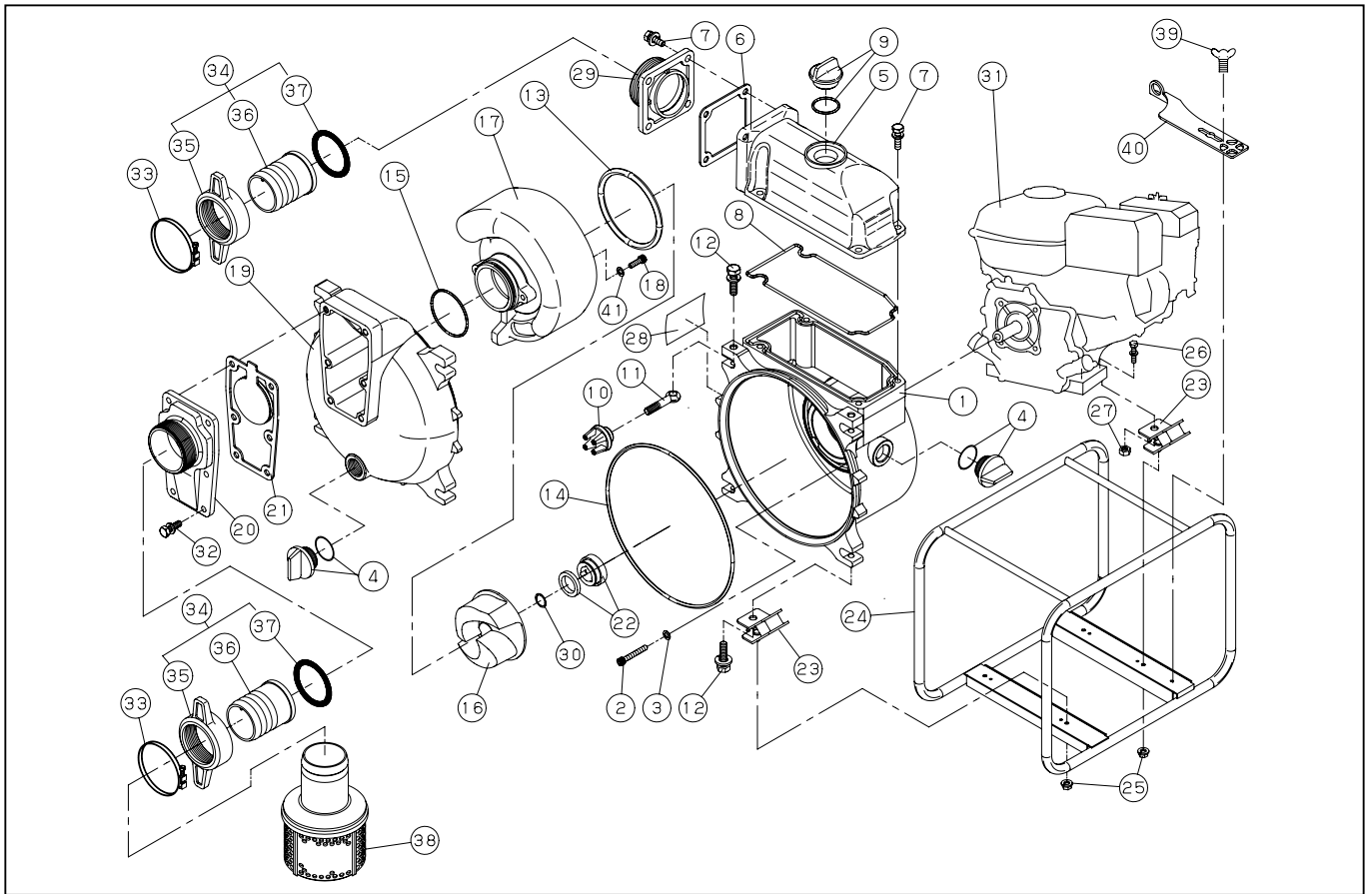


KTM-80X

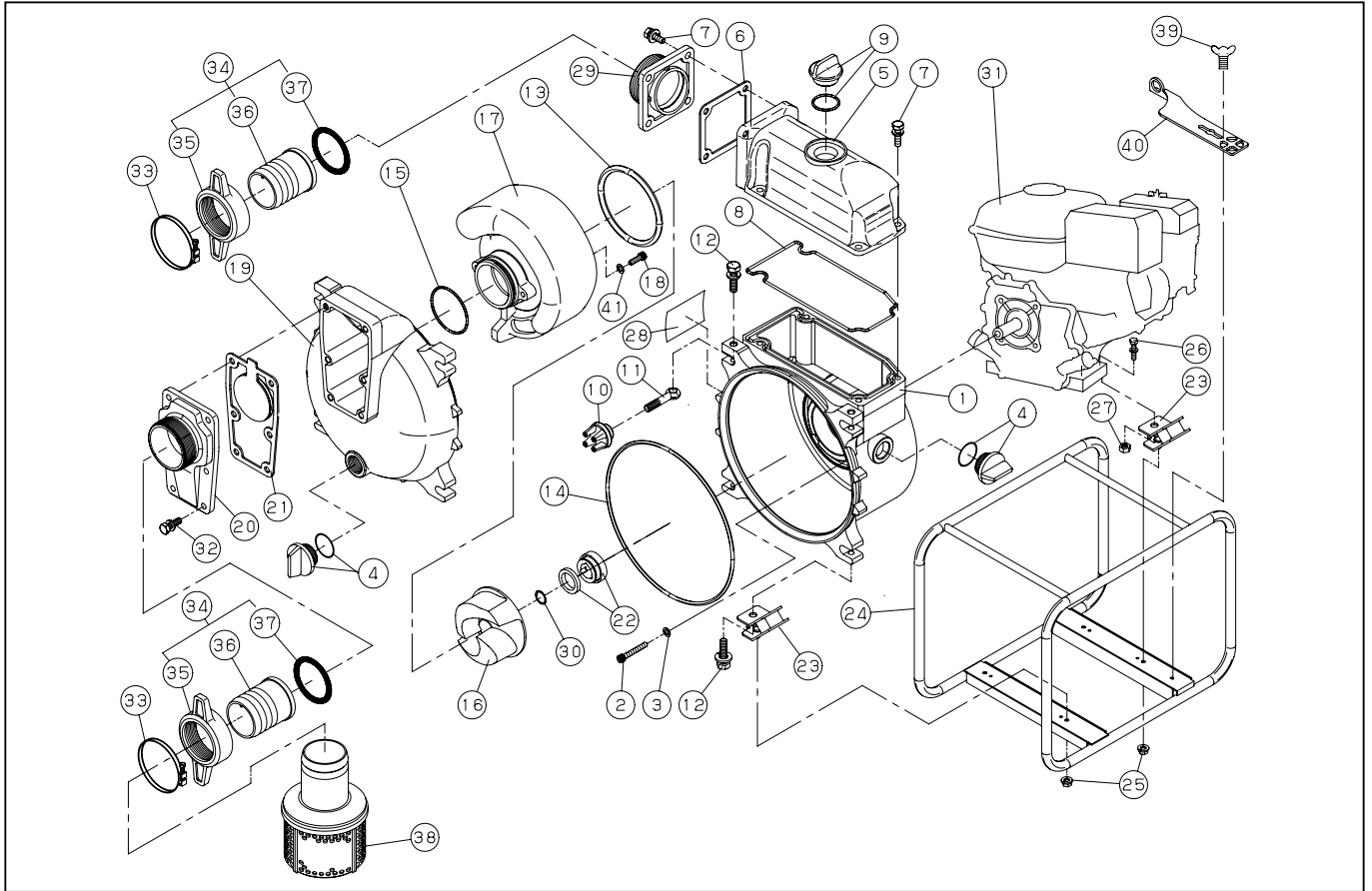


DWG No.012872801 MODEL:KTM-80X FORM:KTM-80X-BAC-0

No.	PARTS CODE	PARTS NAME	QTY	MATERIAL	SIZE	REMARKS
1	011554604	PUMP HOUSING	1	ADC		
2	734532074	HEXAGON SOCKET BOLT	4	SCM	M8X50	
3	011649302	WASHER	4	ALUMINIUM	φ 8	
4	011807901	25A PLUG SET	2			
5	011554702	DELIVERY HOUSING	1	ADC		
6	011058402	DELIVERY FLANGE PACKING	1	CR		
7	743119063	HEXAGON BOLT	8	SWRM	M10X30	
8	011554801	HEAD PACKING	1	NBR		
9	011845001	32A PLUG SET	1			
10	011559001	KNOB	4			
11	011558001	COVER BOLT	4	S35C		
12	743119083	HEXAGON BOLT	4	SWRM	M12X45	
13	011557801	CASING PACKING	1	NBR		
14	011557901	FRONT COVER PACKING	1	NBR		
15	011567601	O-RING	1	NBR		
16	011555803	IMPELLER	1	HRFC		
17	011555902	VOLUTE CASING	1	FCD		
18	734505066	HEXAGON SOCKET BOLT	2	SUS	M8X25	
19	011554501	FRONT COVER	1	ADC		
20	011157302	SUCTION FLANGE	1	ADC		
21	011569201	CHECK VALVE PACKING	1	NBR		
22	011567802	MECHANICAL SEAL	1	EH791-25 SICXSIC		
23	011567901	RUBBER MOUNT	4	CR		
24	011757401	BASE SET	1			
25	842319008	SPRING NUT	4	SWRM	M8	
26	743119065	HEXAGON BOLT	2	SWRM	M10X35	
27	827419010	HEXAGON NUT	2	SWRM	M10	
28	011643001	NAME PLATE	1			
29	011583801	DELIVERY FLANGE	1	ADC		
30	011008101	IMPELLER ADJUSTING WASHER	3		T0.3	

◆ Bare engine can not be supplied

KTM-80X



DWG No.012872801 MODEL:KTM-80X FORM:KTM-80X-BAC-0

No.	PARTS CODE	PARTS NAME	QTY	MATERIAL	SIZE	REMARKS
31	011639501	ENGINE	1	MTSUBISHI GM291PN-704		
32	743119061	HEXAGON BOLT	6	SWRM	M10X25	
33	940407090	HOSE BAND	3		3"	
34	011702802	COUPLING SET	2	ABS		
35	011437502	COUPLING	2	ABS		
36	011030105	HOSE NIPPLE	2	ABS		
37	011437801	COUPLING PACKING	2	NBR		
38	011097803	STRAINER	1	SPC		
39	741305153	WING BOLT	1	SUS	M8X15	
40	011576702	TOOL	1	SPC		
41	854255008	SEAL WASHER	2		φ 8	
	011642901	PACKING CASE	1			
	011593002	OPERATION MANUAL	1			
	011473401	ENGINE CAUTION LABEL A	1			
	011473501	ENGINE CAUTION LABEL B	1			
	011641201	EU NOISE LABEL	1			
	011488403	DECLARATION	1			
	011471302	CAUTION LABEL	1			
	011471806	CE MARK LABEL	1			

◆ Bare engine can not be supplied