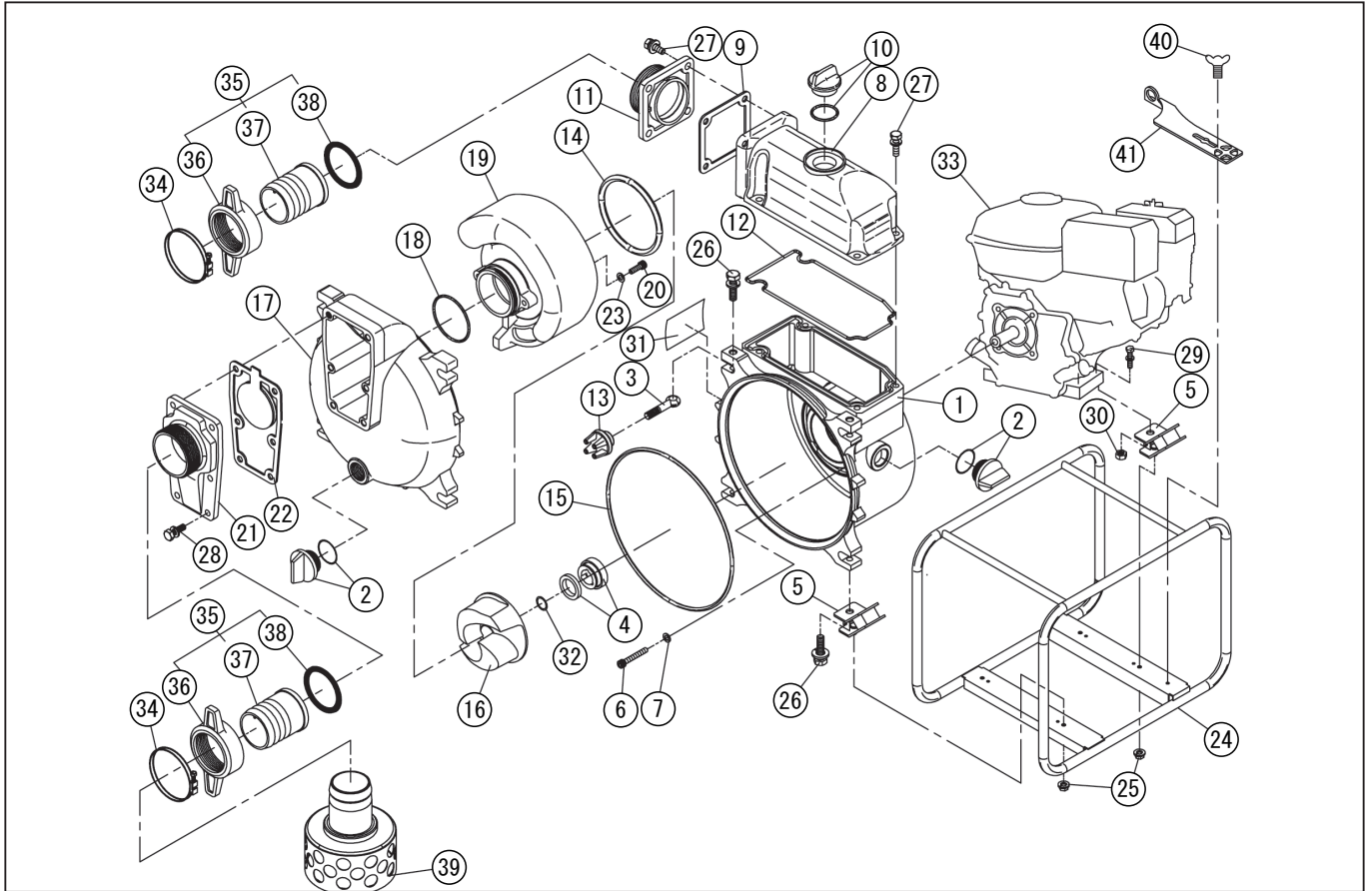


DWG No.012885708 MODELE : KTM-80X FORM : KTM-80X-BAD-2(GM291)

No.	PARTS CODE	PARTS NAME	QTY	MATERIAL/SIZE	LIST PRICE	REMARKS
1	0115546	PUMP BODY	1	ADC	16,850	
2	0118079	25A PLUG SET	2		300	
3	0115580	COVER BOLT	4	S35C	500	
4	0115678	MECHANICAL SEAL	1	HJ-25(B)BSIC	11,900	
5	0116172	CUSHIN RUBBER	4	CR 60°	1,150	
6	0116492	SOCKET BOLT	4	M8X50 SCM	150	
7	0116493	WASHER(AL.)	4	φ 8 A1100 PH14	100	
8	0115547	DELIVERY HOUSING	1	ADC	3,200	
9	0110584	DELIVERY FLANGE PACKING	1	CR	400	
10	0118450	32A PLUG SET	1		470	
11	0115838	DELIVERY FLANGE	1	ADC	1,800	
12	0115548	HEAD PACKING	1	NBR70°	300	
13	0115590	KNOB	4		1,150	
14	0115578	CASING PACKING	1	NBR	500	
15	0115579	FRONT COVER PACKING	1	NBR	600	
16	0115558	IMPELLER	1	HRFC	30,800	
17	0121900	FRONT COVER	1	ADC	8,200	
18	0115676	O-RING	1	NBR	150	
19	0121908	VOLUTE CASING	1	FCD450	19,800	
20	0121539	SOCKET BOLT	3	M8X35 A2-80	400	
21	0111573	SUCTION FLANGE	1	PS	2,500	
22	0115692	CHECK VALVE PACKING	1	NBR NEO-180	1,350	
23	0121540	WASHER	3	8.1X17XT2 MFZN II +HC	100	
24	0128289	BASE SET	1		10,200	
25	842319008	SPRING NUT	4	M8 SWRM	100	
26	743119083	HEXAGON BOLT	4	SWRM M12X4	150	
27	743119063	HEXAGON BOLT	8	M10X30 SWRM	100	
28	743119061	HEXAGON BOLT	6	M10X25 SWRM	100	
29	743119065	HEXAGON BOLT	2	M10X35 SWRM	100	
30	827419010	HXAGON NUT	2	M10 SWRM	100	

◆ Bare engine can not be supplied



DWG No.012885708 MODELE : KTM-80X FORM : KTM-80X-BAD-2(GM291)

No.	PARTS CODE	PARTS NAME	QTY	MATERIAL/SIZE	LIST PRICE	REMARKS
31	0120009	NAME PLATE	1	T0.05	100	
32	0110081	IMPELLER ADJUSTING WASHER	3	T0.3	100	
33	0120010	ENGINE(WITH ALERT)	1	MITSUBISHI GM291PN-708	-	
34	940407090	HOSE BAND	3	3"	900	
35	0117028	COUPLING SET	2		1,500	
36	0114375	COUPLING	2	ABS	800	
37	0110301	HOSE NIPPLE	2	ABS	450	
38	0114378	COUPLING PACKING	2	NBRHS65±5	250	
39	0110978	STRAINER	1	SPC	4,600	
40	741305153	WING BOLT	1	M8X15 SUS	400	
41	0115767	TOOL	1	SPC	1,650	
	0115956	PACKING CASE	1		5,300	

◆ Bare engine can not be supplied