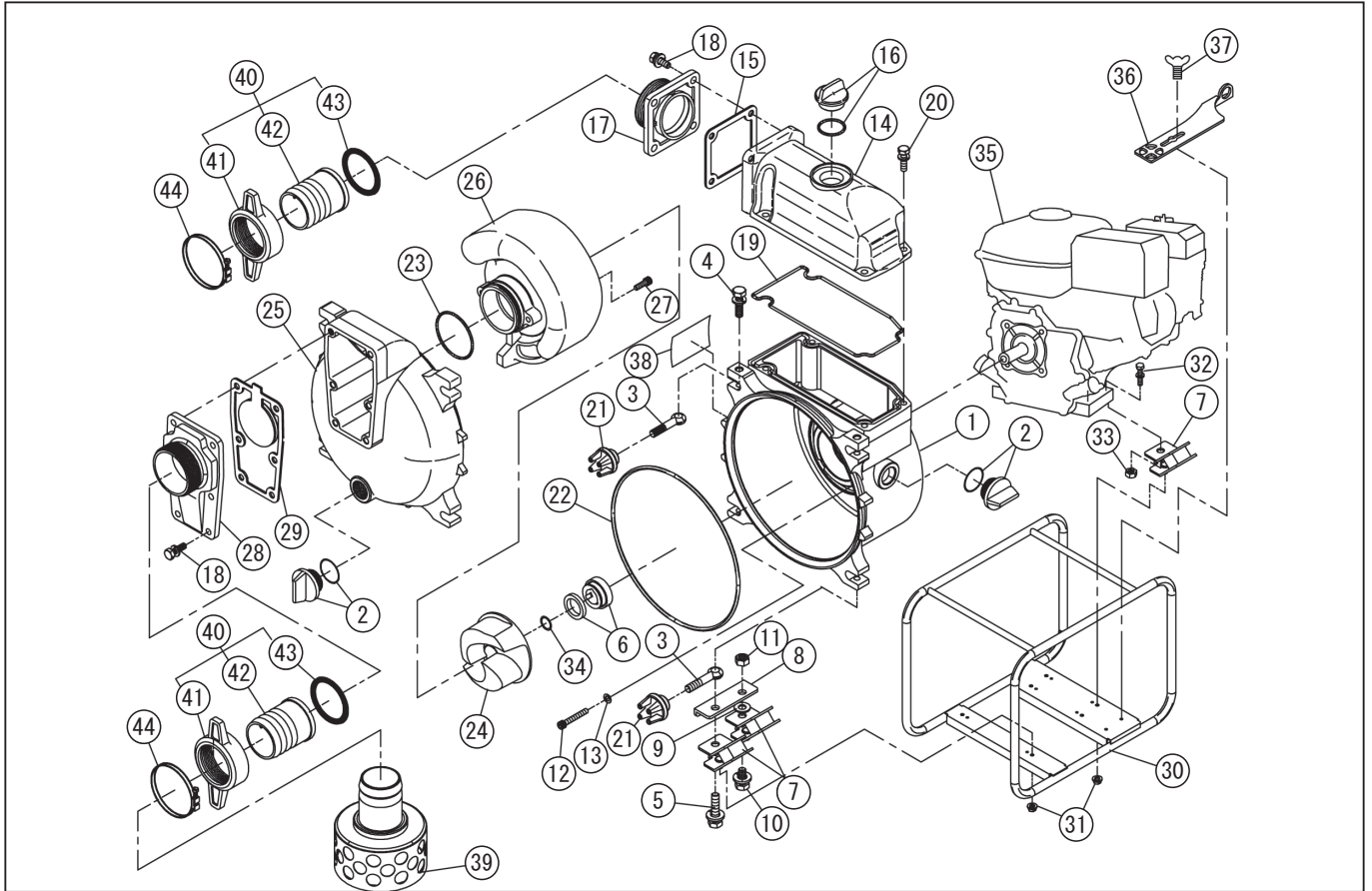


DWG No.012884203 MODEL : KTR-100X FORM : KTR-100X-BAA-0(EY40)

No.	PARTS CODE	PARTS NAME	QTY	MATERIAL/SIZE	REMARKS
1	0120132	PUMP BODY	1	ADC	
2	0118079	25A PLUG SET	2		
3	0115580	COVER BOLT	4	S35C	
4	743119083	HEXAGON BOLT	2	M12X45 SWRM	
5	743119084	HEXAGON BOLT	2	M12X50 SWRM	
6	0120029	MECHANICAL SEAL	1	SIC×SIC	
7	0115679	RUBBER MOUNT	6	CR	
8	0116273	RUBBER MOUNT	2	SPC T4.5	
9	846211012	WASHER	2	12	
10	743119076	HEXAGON BOLT	2	M12X25 SWRM	
11	827419012	HXAGON NUT	2	M12 SWRM	
12	0116516	SOCKET BOLT	4	M8×55 SCM	
13	0116493	WASHER	4	φ 8	
14	0116148	DELIVERY HOUSING	1	ADC	
15	0110750	DELIVERY FLANGE PACKING	1	CR	
16	0118450	32A PLUG SET	1		
17	0116188	DELIVERY FLANGE	1		
18	743119080	HEXAGON BOLT	10	M12X35 SWRM	
19	0115548	HEAD PACKING	1	NBR	
20	743119063	HEXAGON BOLT	4	M10X30 SWRM	
21	0115590	KNOB	4		
22	0115579	FRONT COVER PACKING	1	NBR	
23	0116270	O-RING	1	NBR φ 104.5× φ 3.5	
24	0116928	IMPELLER	1	HRFC	
25	0116490	FRONT COVER(KOSHIN)	1	ADC	
26	0116488	VOLUTE CASING	1	FCD	
27	0116419	HEXAGON SOCKET BOLT	3	M8×35 SUS	
28	0116268	SUCTION FLANGE	1		
29	0118261	CHECK VALVE	1		
30	0117851	BASE SET	1		



DWG No.012884203 MODEL : KTR-100X FORM : KTR-100X-BAA-0(EY40)

No.	PARTS CODE	PARTS NAME	QTY	MATERIAL/SIZE	REMARKS
31	842319008	SPRING NUT	6	M8 SWRM	
32	743119067	HEXAGON BOLT	2	M10X40 SWRM	
33	827419010	HXAGON NUT	2	M10 SWRM	
34	0110081	IMPELLER ADJUSTING WASHER	3	T0.3	
35	.0111498	ENGINE	1	ROBIN DY40DD7070	
36	0116204	TOOL	1	SPC	
37	741305153	WING BOLT	1	M8×15 SUS	
38	0116931	NAME PLATE	1		
39	0110979	STRAINER	1	SPC	
40	0117639	COUPLING SET	2	AC	
41	0116189	COUPLING	2	AC	
42	0110471	HOSE NIPPLE	2	AC	
43	0111478	COUPLING PACKING	2	NBR	
44	940407120	HOSE BAND	3		
	0116930	PACKING CASE	1		

◆ Bare engine can not be supplied