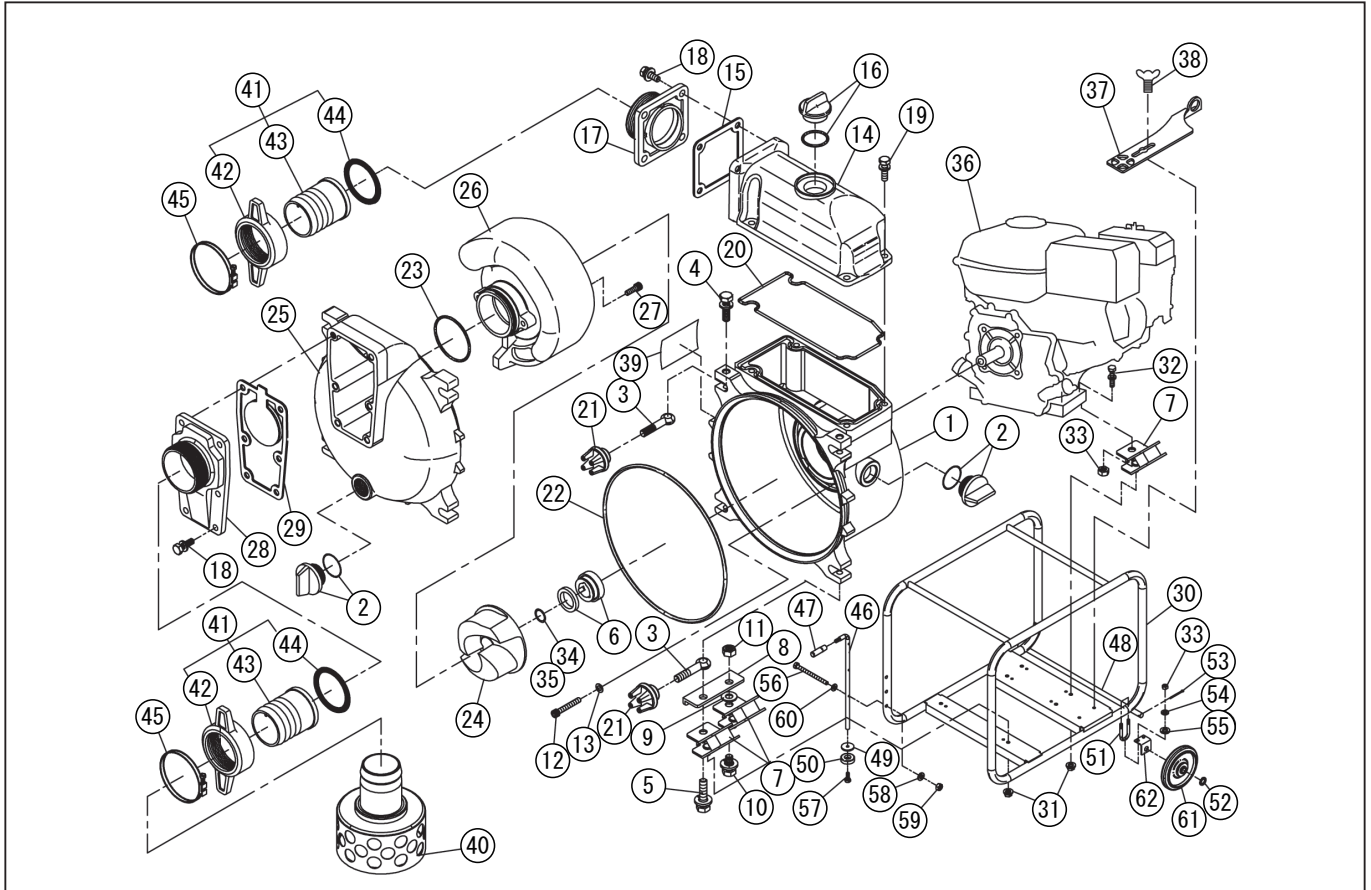


DWG No.012884009 MODELE : KTR-100XD FORM : KTR-100XD-BAA-0(DY41)

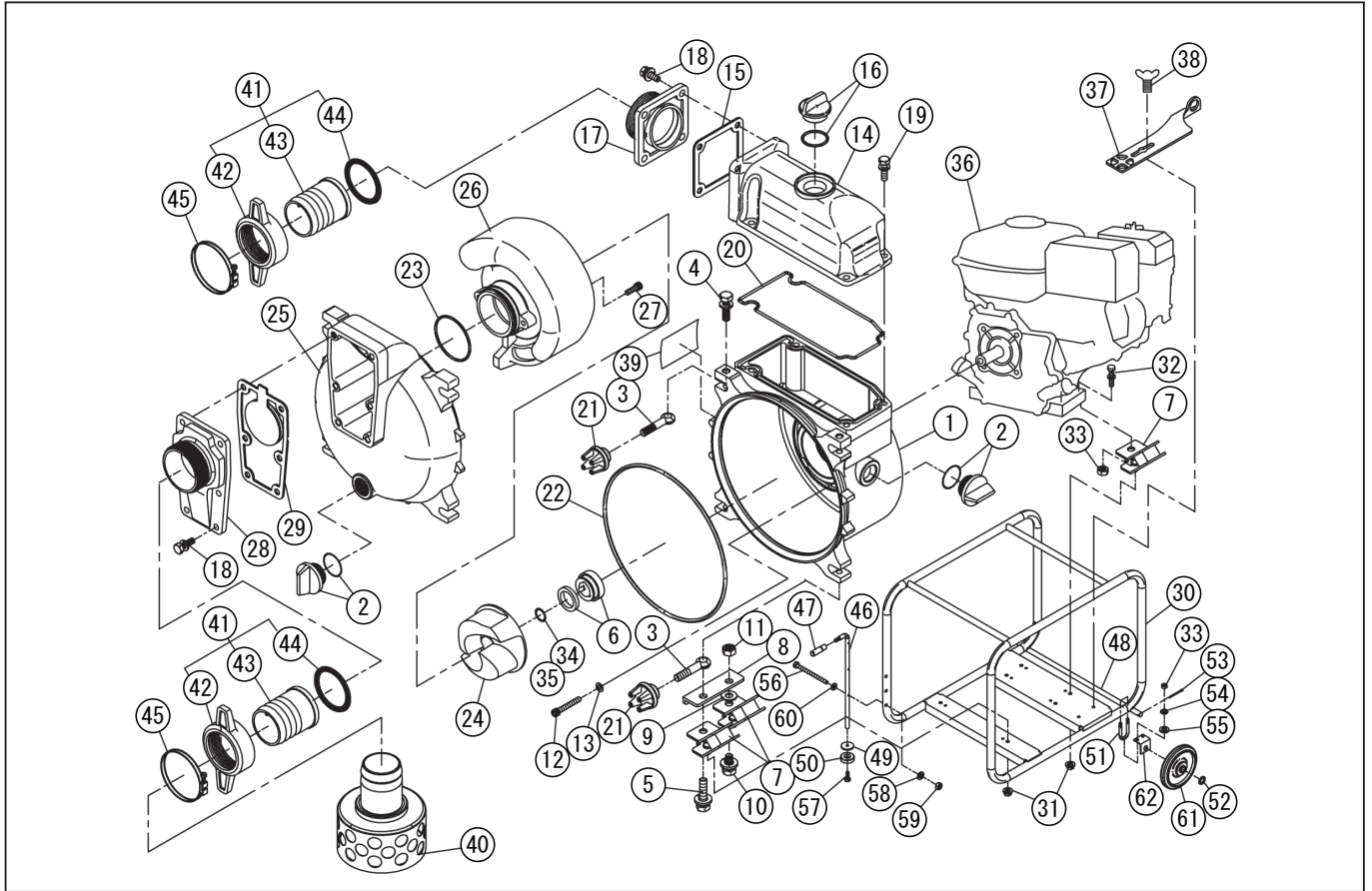
No.	PARTS CODE	PARTS NAME	QTY	MATERIAL/SIZE	REMARKS
1	0116880	PUMP BODY	1	ADC	
2	0118079	25A PLUG SET	2		
3	0115580	COVER BOLT	4	S35C	
4	743119083	HEXAGON BOLT	2	SWRM M12X45	
5	743119084	HEXAGON BOLT	2	M12X50 SWRM	
6	0120029	MECHANICAL SEAL	1	EH791-030-T SIC×SIC	
7	0116172	CUSHIN RUBBER	6	CR 60°	
8	0116273	RUBBER MOUNT	2	SPC T4.5	
9	846211012	WASHER	2	12	
10	743119076	HEXAGON BOLT	2	M12X25 SWRM	
11	827419012	HXAGON NUT	2	M12 SWRM	
12	0116492	HEXAGON SOCKET BOLT	4	M8×50 SCM	
13	0116493	WASHER	4	φ 8 A 1100 PH14	
14	0116148	DELIVERY HOUSING	1	ADC	
15	0110750	DELIVERY FLANGE PACKING	1	CR	
16	0118450	32A PLUG SET	1		
17	0116188	SUCTION FLANGE	1	PS	
18	743119080	HEXAGON BOLT	10	M12X35 SWRM	
19	743119063	HEXAGON BOLT	4	M10X30 SWRM	
20	0115548	HEAD PACKING	1	NBR70°	
21	0115590	KNOB	4		
22	0115579	FRONT COVER PACKING	1	NBR	
23	0116270	O-RING	1	NBR φ 104.5×φ 3.5	
24	01169271	IMPELLER	1	HRFC	
25	0116490	FRONT COVER	1	ADC	
26	0116488	VOLUTE CASING	1	FCD450	
27	0116419	HEXAGON SOCKET BOLT	3	M8×35 SUS	
28	0116268	SUCTION FLANGE(G)	1	ADC	
29	0118261	CHECK VALVE ASSY	1		
30	0117848	BASE SET	1		

◆ Bare engine can not be supplied



DWG No.012884009 MODELE : KTR-100XD FORM : KTR-100XD-BAA-0(DY41)

No.	PARTS CODE	PARTS NAME	QTY	MATERIAL/SIZE	REMARKS
31	842319008	SPRING NUT	6	M8 SWRM	
32	743119070	HEXAGON BOLT	4	M10X55 SWRM	
33	827419010	HXAGON NUT	8	M101 SWRM	
34	0110561	IMPELLER ADJUSTING WASHER	1	BSP	
35	0116405	IMPELLER ADJUSTING WASHER	2	BSP1	
36	0113952	ENGINE	1	ROBIN DY410D58050	
37	0116204	TOOL	1	SPC	
38	741305153	WING BOLT	1	M8×15 SUS	
39	0116920	NAME PLATE	1		
40	0110979	STRAINER	1	SPC	
41	0117639	COUPLING SET	2		
42	0116189	COUPLING	2	ADC	
43	0110471	HOSE NIPPLE	2	ADC	
44	0111478	COUPLING PACKING	2	NBR	
45	940407120	HOSE BAND	3	#72(48-127)	
46	0112072	STAND AXIS	2	SGD	
47	0111812	HANDLE	2	BG-16	
48	0112076	AXLE PLATE	1	SGD	
49	0111815	STAND WASHER	2	SPC	
50	0110515	CUSHIN RUBBER	2	F-23	
51	0111811	U BOLT	2	SWRM	
52	846207027	WASHER	4	φ 27	
53	847519088	PIN	2	4-40	
54	843822010	SPRING WASHER	4	φ 10	
55	846007010	WASHER	4	φ 10	
56	743119058	HEXAGON BOLT	6	M8X65 SWRM	
57	743119045	HEXAGON BOLT	2	M8X20 SWRM	
58	843822008	SPRING WASHER	6	φ 8	
59	827419008	HXAGON NUT	6	M8 SWRM	
60	846007008	WASHER	14	φ 83	



DWG No.012884009 MODELE : KTR-100XD FORM : KTR-100XD-BAA-0(DY41)

No.	PARTS CODE	PARTS NAME	QTY	MATERIAL/SIZE	REMARKS
61	0112079	WHEEL	2	φ 250	
62	0112212	AXLE PLATE	2	SPC	
	0116919	PACKING CASE	1		

◆ Bare engine can not be supplied