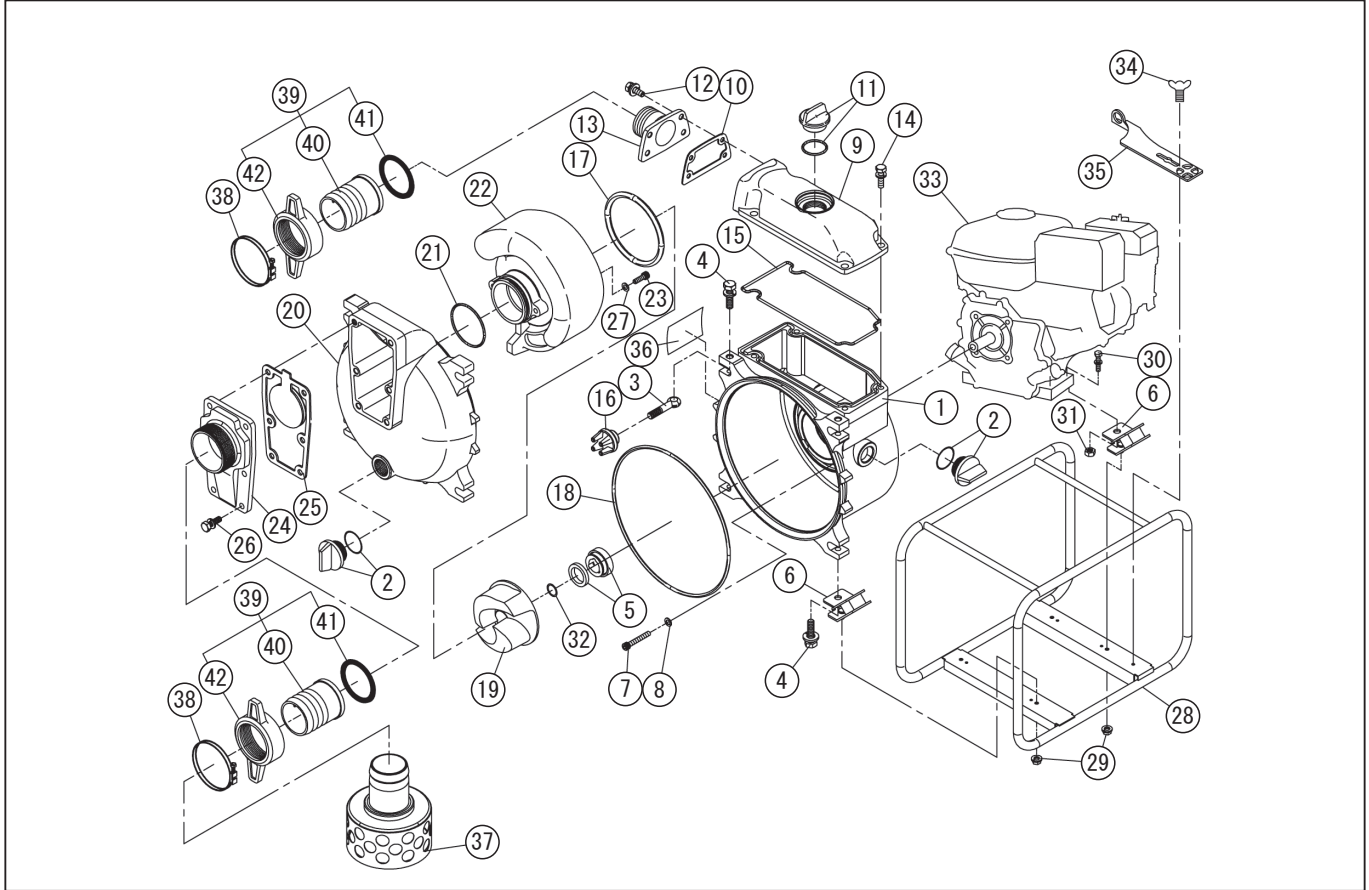


DWG No.012880203 MODEL : KTR-50X FORM : KTR-50X-BAE-0(EX17)

No.	PARTS CODE	PARTS NAME	QTY	MATERIAL/SIZE	REMARKS
1	0115446	PUMP BODY	1	ADC	
2	0118079	25A PLUG SET	2		
3	0115580	COVER BOLT	4	S35C	
4	743119083	HEXAGON BOLT	4	M12X45 SWRM	
5	0115159	MECHANICAL SEAL	1	HJ-20(B)BSIC	
6	0116172	WT CUSHION RUBBER	4	CR	
7	0116517	SOCKET BOLT	4	M8X60 SCM	
8	0116493	WASHER	4	φ 8	
9	0115445	DELIVERY HOUSING	1	ADC	
10	0115490	DELIVERY FLANGE PACKING	1	CR	
11	0118450	32A PLUG SET	1		
12	743119046	HEXAGON BOLT	4	M8X22 SWRM	
13	0115840	DELIVERY FLANGE (PS)	1	ADC	
14	743119063	HEXAGON BOLT	4	M10X30 SWRM	
15	0115548	HEAD PACKING	1	NBR	
16	0115590	KNOB	4		
17	0115578	CASING PACKING	1	NBR	
18	0115579	FRONT COVER PACKING	1	NBR	
19	0115447	IMPELLER	1	HTFC	
20	0115545	FRONT COVER	1	ADC	
21	0115676	O-RING	1	NBR	
22	0115489	VOLUTE CASING	1	FCD	
23	734505066	HEXAGON SOCKET BOLT	2	M8X25 SUS	
24	0115839	SUCTION FLANGE	1	ADC	
25	0115780	CHECK VALVE PACKING	1	NBR	
26	743119061	HEXAGON BOLT	6	SM10X25 SWRM	
27	854255008	SEAL WASHER	2	φ 8	
28	0117816	BASE SET	1		
29	842319008	SPRING NUT	4	M8 SWRM	
30	743119051	HEXAGON BOLT	2	M8X35 SWRM	



DWG No.012880203 MODEL : KTR-50X FORM : KTR-50X-BAE-0(EX17)

No.	PARTS CODE	PARTS NAME	QTY	MATERIAL/SIZE	REMARKS
31	838719008	HEXAGON NUT	2	M8	
32	0110491	IMPELLER ADJUSTING WASHER	3	BSP	
33	0116760	ENGINE	1	Robin EX170D	
34	741305153	WING BOOT	1	M8X15 SUS	
35	0115778	TOOL	1	SPC	
36	0116763	NAME PLATE	1		
37	0110977	STRAINER	1	50M SPC	
38	940407060	HOSE BAND	3	2"	
39	0117026	COUPLING SET	2	ABS	
40	0113390	COUPLING	2	ABS	
41	0113391	COUPLING PACKING	2	NBR	
42	0110356	HOSE NIPPLE	2	ABS	
	0116762	PACKING CASE	1	K6W	

◆ Bare engine can not be supplied