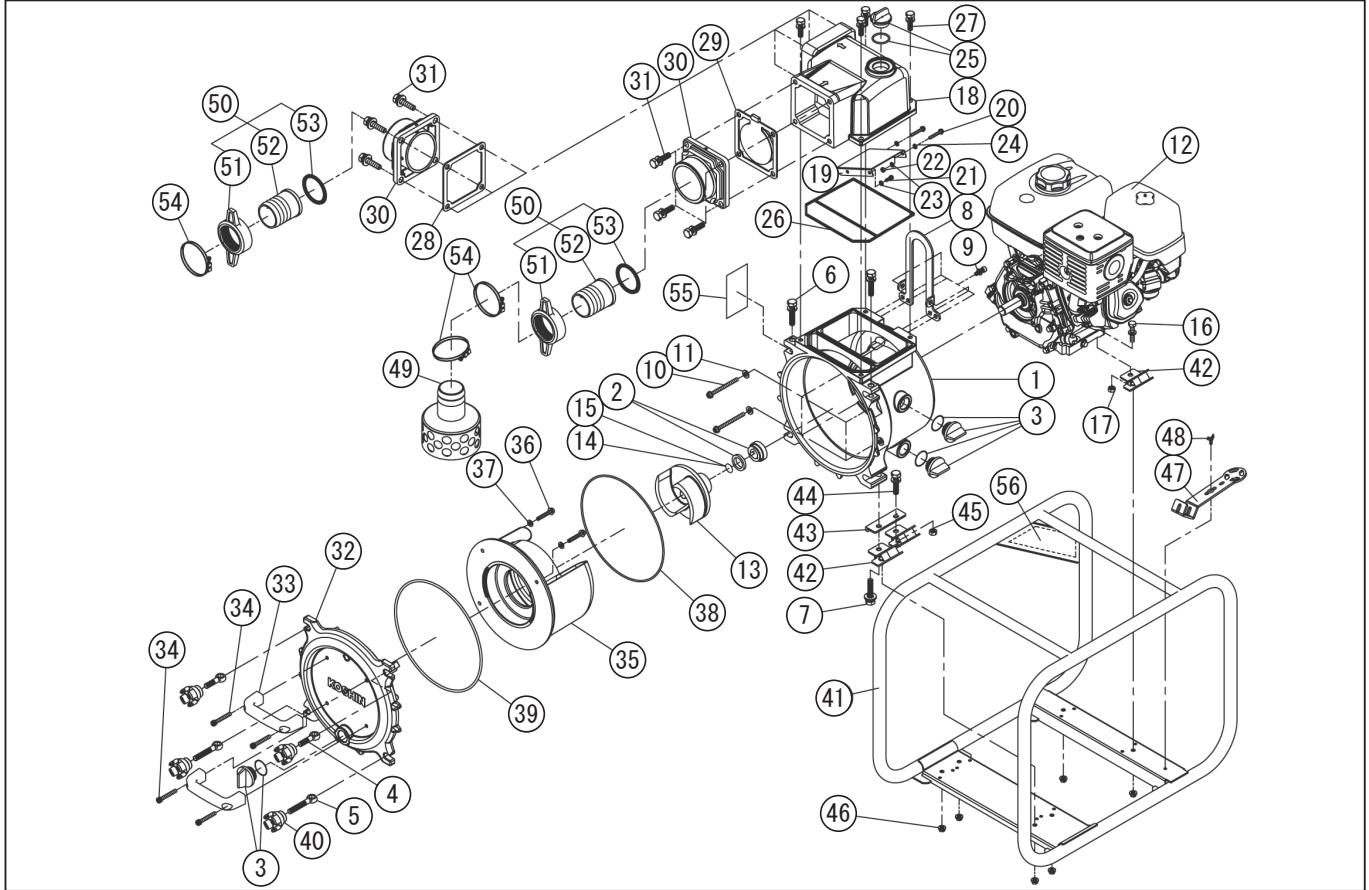


DWG No.012948401 MODELE : KTZ-100S FORM : KTZ-100S-BAA-0

No.	PARTS CODE	PARTS NAME	QTY	MATERIAL/SIZE	REMARKS
1	0121442	PUMP CASING	1	ADC	
2	0115678	MECHANICAL SEAL	1		
3	0118079	25A PLUG SET	3		
4	0121843	COVER BOLT S	2	S35C	
5	0121844	COVER BOLT L	2	S35C	
6	743119083	BOLT	2	SWRM M12×45	
7	743119085	BOLT	2	SWRM M12×55	
8	0121455	FOOK PLATE	1	SPC	
9	734614090	BOLT	6	SWRCH M10×25	
10	0121925	BOLT	4	SCM M10×P1.25×50	
11	0121915	WASHER	4	A1100 PH14	
12	0123341	ENGINE	1	K420-C0-P	
13	0121436	IMPELLER	1	HICR	
14	0110561	ADJUSTING WASHER	3	BSP T0.3	
15	0116405	ADJUSTING WASHER	3	BSP T0.1	
16	743119067	BOLT	2	SWRM M10×40	
17	827419010	NUT	2	SWRM M10	
18	0121452	SEPARATE HEAD	1	ADC	
19	0121832	BAFFLE	1	SUS304	
20	734705047	BOLT	2	SUS M6×16	
21	734505276	BOLT	2	SUS M6×8	
22	827405006	NUT	2	SUS M6	
23	846205006	WASHER	4	SUS φ6	
24	854255006	SEAL WASHER	2	φ6	
25	0118450	32A PLUG SET	1		
26	0121450	HEAD PACKING	1	NBR	
27	743119063	BOLT	4	SWRM M10×30	
28	0110750	FLANGE PACKING	1	CR	
29	0123219	CHECK VALVE	1		
30	0116188	SUCTION FLANGE (G)	2	ADC	

◆ Bare engine can not be supplied



DWG No.012948401 MODELE : KTZ-100S FORM : KTZ-100S-BAA-0

No.	PARTS CODE	PARTS NAME	QTY	MATERIAL/SIZE	REMARKS
31	743119080	BOLT	8	SWRM M12×35	
32	0123353	FRONT COVER	1	ADC	
33	0121453	HANDLE	2		
34	734520070	BOLT	4	M8×35	
35	0121444	VOLUTE CASING	1	FCD450	
36	734705066	BOLT	3	SUS M8×25	
37	0116493	WASHER	3	A 1100 PH14	
38	0121917	O-RING	1	NBR G283×3.55	
39	0121916	O-RING	1	NBR G295×5.3	
40	0121449	KNOB	4	FC200	
41	0127346	BASE SET	1		
42	0116172	CUSHION RUBBER	6	CR 60°	
43	0116273	RUBBER MOUNT	2	SPC T4.5	
44	743119076	BOLT	2	SWRM M12×25	
45	827419012	NUT	2	SWRM M12	
46	842319008	SPRING NUT	6	SWRM M8	
47	0122984	TOOL	1	SS400	
48	741305153	WING BOLT	1	SUS M8×15	
49	0110979	STRAINER	1	SPC	
50	0117639	COUPLING SET	2	ADC	
51	0116189	COUPLING	2	ADC	
52	0110471	HOSE NIPPLE	2	ADC	
53	0111478	COUPLING PACKING	2	NBR	
54	940407120	HOSE BAND	3	4"	
55	0123373	NAME PLATE	1		
56	0123370	SIDE PANEL LABEL	1		

◆ Bare engine can not be supplied