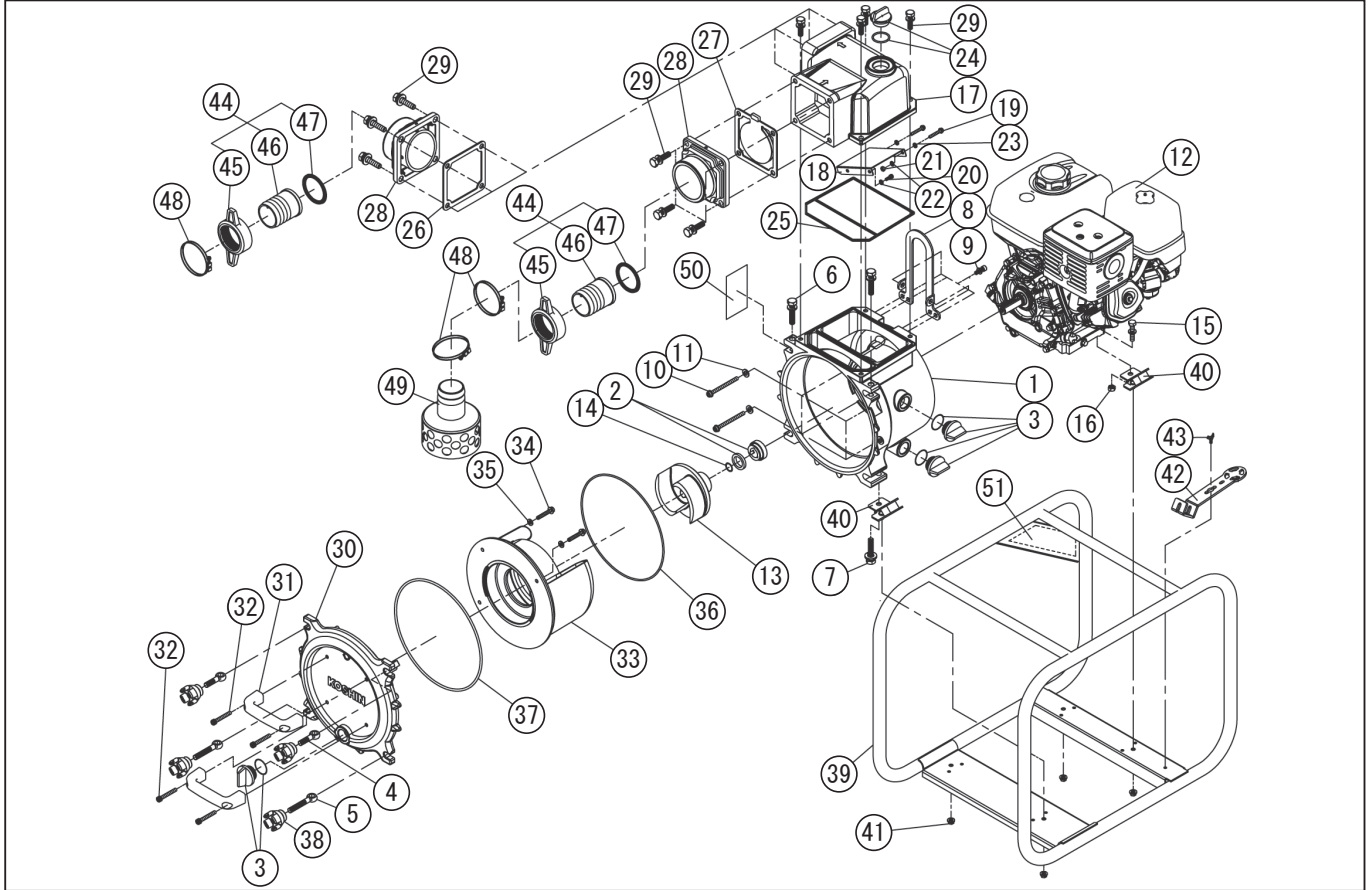


DWG No.012948301 MODELE : KTZ-80S FORM : KTZ-80S-BAA-0

No.	PARTS CODE	PARTS NAME	QTY	MATERIAL/SIZE	REMARKS
1	0121439	PUMP CASE	1	ADC12	
2	0115678	MECHANICAL SEAL	1		
3	0118079	25A PLUG SET	3		
4	0121843	COVER BOLT S	2	S35C	
5	0121844	COVER BOLT L	2	S35C	
6	743119083	BOLT	2	M12×45 SWRM	
7	743119084	BOLT	2	M12×50 SWRM	
8	0121454	HOOK PLATE	1	SPC	
9	734614090	BOLT	6	M10×25 SWRCH	
10	0121925	BOLT	4	M10×P1.25×50 SCM	
11	0121915	WASHER	4	A1100 PH14	
12	0123338	ENGINE	1	K300-C0-P	
13	0121438	IMPELLER	1	HICR	
14	0110081	ADJUSTING WASHER	3	T0.3	
15	743119067	BOLT	2	M10×40 SWRM	
16	827419010	NUT	2	M10 SWRM	
17	0121437	SEPARATE HEAD	1	ADC	
18	0121457	BAFFLE	1	SUS304	
19	734705047	BOLT	2	M6×16 SUS	
20	734505276	BOLT	2	M6×8 SUS	
21	827405006	NUT	2	M6 SUS	
22	846205006	WASHER	4	φ6 SUS	
23	854255006	SEAL WASHER	2	φ6	
24	0118450	32A PLUG SET	1		
25	0121450	HEAD PACKING	1	NBR	
26	0123206	FLANGE PACKING	1	CR	
27	0123218	CHECK VALVE	1		
28	0115838	DELIVERY FLANGE (G)	2	ADC	
29	743119063	BOLT	12	M10×30 SWRM	
30	0123352	FRONT COVER	1	ADC	

◆ Bare engine can not be supplied



DWG No.012948301 MODELE : KTZ-80S FORM : KTZ-80S-BAA-0

No.	PARTS CODE	PARTS NAME	QTY	MATERIAL/SIZE	REMARKS
31	0121453	HANDLE	2		
32	734520070	BOLT	4	M8×35	
33	0121441	VOLUTE CASE	1	FCD450	
34	734705066	BOLT	3	M8×25 SUS	
35	0116493	WASHER	3	A1100 PH14	
36	0121917	O-RING	1	G283×3.55 NBR	
37	0121916	O-RING	1	G295×5.3 NBR	
38	0121449	KNOB	4	FC200	
39	0127342	BASE SET	1		
40	0116172	CUSHION RUBBER	4	CR 60°	
41	842319008	SPRING NUT	4	SWRM	
42	0122984	TOOL	1	SS400	
43	741305153	WING BOLT	1	SUS	
44	0117378	COUPLING SET	2		
45	0110300	COUPLING	2	ADC	
46	0111931	HOSE NIPPLE	2	ADC	
47	0110100	COUPLING PACKING	2	NBR	
48	940407090	HOSE BAND	3		
49	0110978	STRAINER	1	SPC	
50	0123368	NAME PLATE	1		
51	0123370	SIDE PANEL LABEL	1		

◆ Bare engine can not be supplied