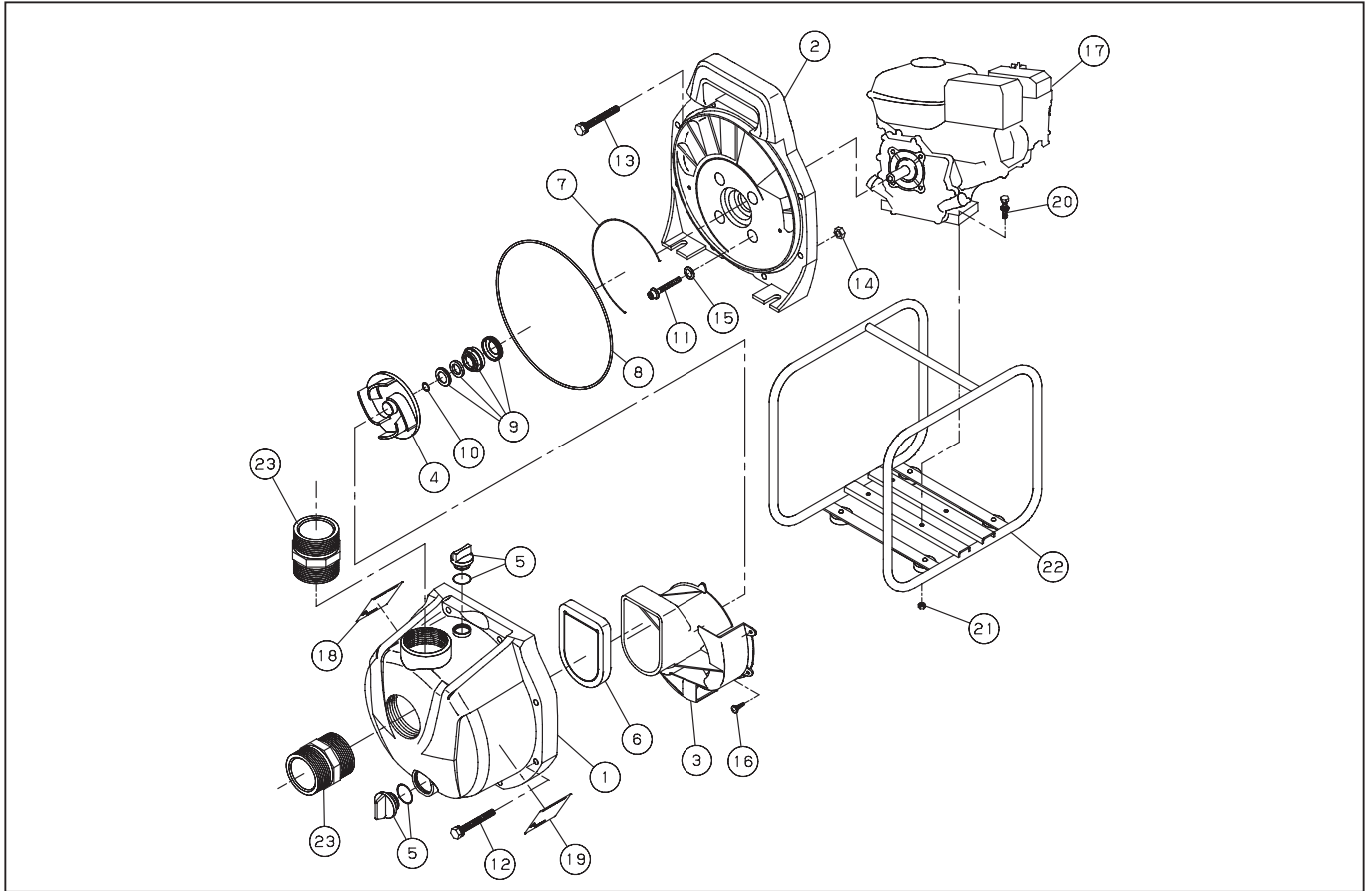


PGH-50



DWG No. 013850307 MODEL:PGH-50 FORM:PGH-50-BAC-0

No.	PARTS CODE	PARTS NAME	QTY	MATERIAL	SIZE	REMARKS
1	013006401	PUMP CASING	1			
2	013006001	FRANGE BRACKET	1			
3	013006101	VOLUTE CASING	1			
4	013006301	IMPELLER	1			
5	013800101	20A PLUG SET	2			
6	013000901	CHECK VALVE	1	EPDM		
7	013000801	VOLUTE CASING PACKING	1	EPDM		
8	013005701	BRACKET RING	1			
9	013001101	MECHANICAL SEAL	1	HJ-20(B)EPOM		
10	011046601	IMPELLER ADJUSTING WASHER	2	BSP		
11	734705074	HEXAGON SOCKET BOLT	4	SUS	M8X50	
12	746205056	HEXAGON BOLT	6	SUS	M8X55	
13	746205057	HEXAGON BOLT	2	SUS	M8X60	
14	827405008	HEXAGON NUT	8	SUS	M8	
15	854255008	SEAL WASHER	4		φ 8	
16	718505035	+ TAPPING SCREW	3	SUS	M4X12	
17	011430403	ENGINE	1			GX120U1WMA3R8
18	013002102	NAME PLATE	1			
19	013001001	SILICON SEAL	1			
20	743119051	HEXAGON BOLT	4	SWRM	M8X35	
21	827419008	HEXAGON NUT	4	SWRM	M8	
22	013800201	BASE SET	1		NO.1	
23	013006201	NIPPLE (PP)	2			
	011641201	EU LABEL(106)	1	PET+PET		
	013800403	MANUAL SET	1			
	011471302	CAUTION LABEL	1			
	011471806	CE MARK LABEL	1			
	013001902	PACKING CASE	1			

◆ Bare engine can not be supplied