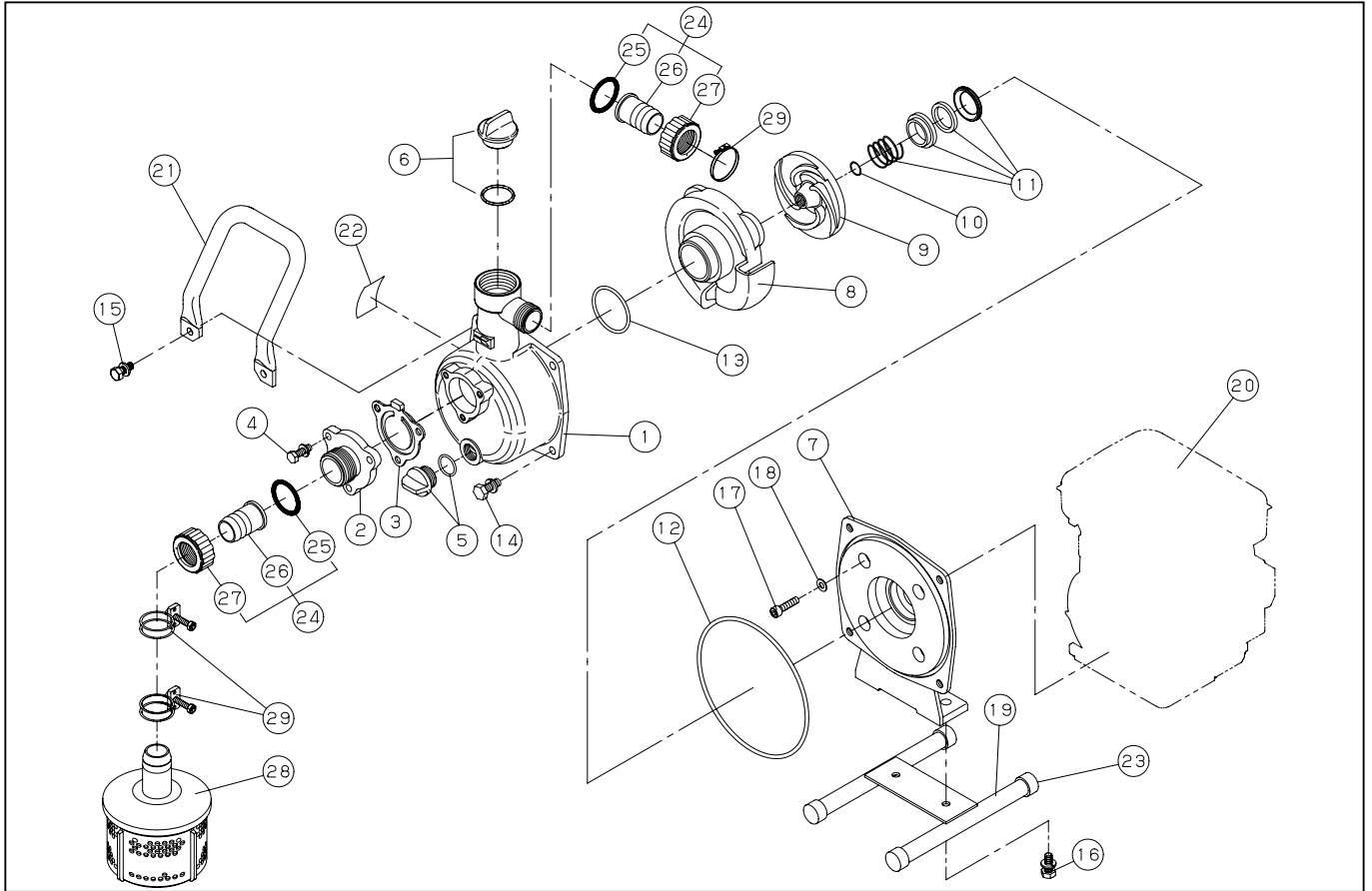


SE-25F

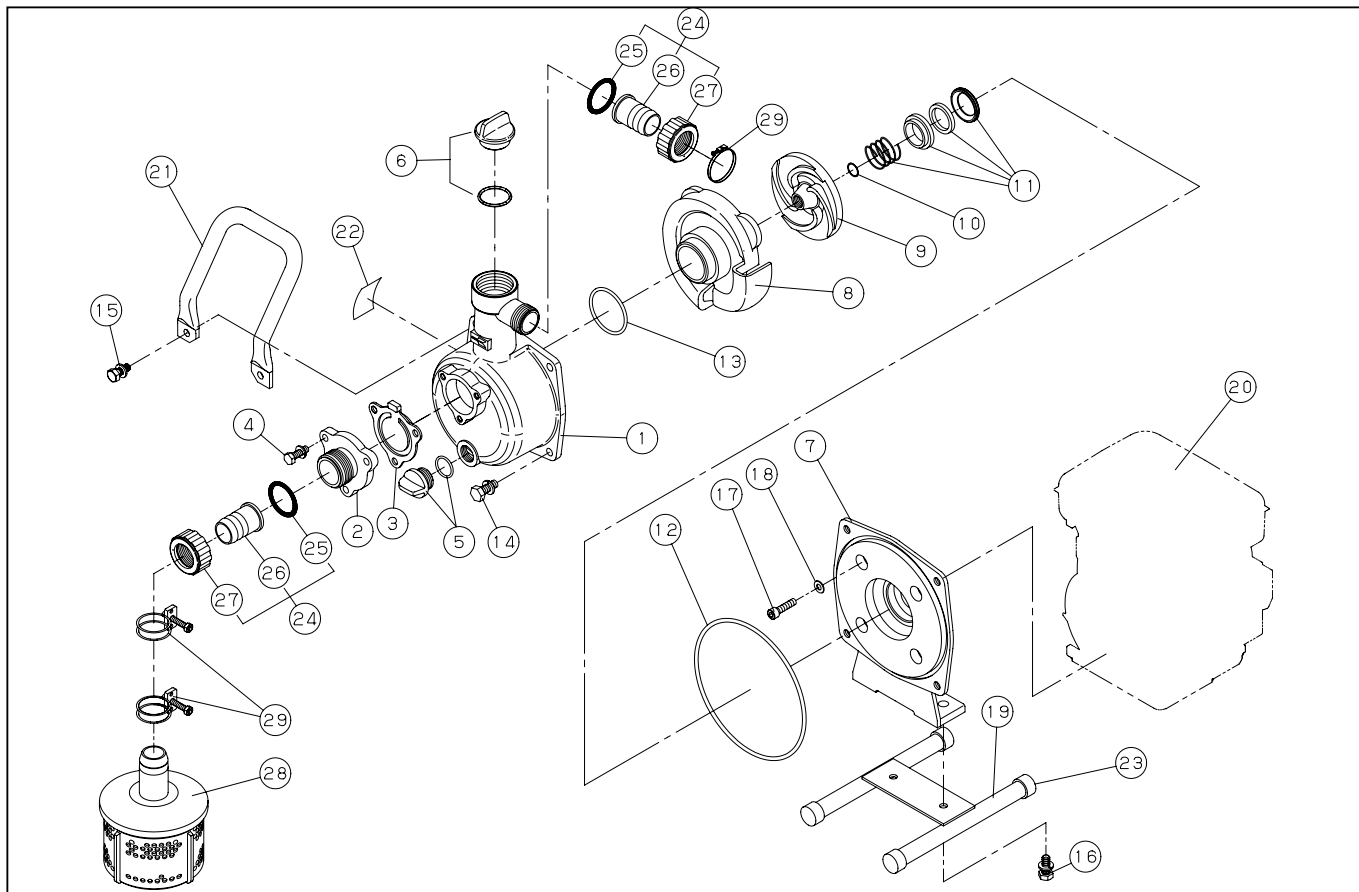


DWG No.012875803 MODEL:SE-25F FORM:SE-25F-BAD-0

No.	PARTS CODE	PARTS NAME	QTY	MATERIAL	SIZE	REMARKS
1	011332903	PUMP CASING	1	ADC		
2	011332501	SUCTION FLANGE	1	ADC		
3	011332601	CHECK VALVE	1	NBR		
4	743119032	HEXAGON BOLT	3	SWRM	M6X20	
5	014801001	15A PLUG SET	1			
6	011845001	32A PLUG SET	1			
7	011499201	FLANGE BRACKET	1	ADC		
8	011252803	VOLUTE CASING	1	ADC		
9	011499301	IMPELLER	1	ADC		
10	014025103	IMPELLER ADJUSTING WASHER	3	BS		
11	011605402	MECHANICAL SEAL	1	HG9A-MN	φ 12	
12	890255031	O-RING	1	NBR	1517-31	
13	889855042	O-RING	1	NBR	P42	
14	743119045	HEXAGON BOLT	2	SWRM	M8X20	
15	743119046	HEXAGON BOLT	2	SWRM	M8X22	
16	743119043	HEXAGON BOLT	2	SWRM	M8X16	
17	734532274	HEXAGON SOCKET BOLT	4	SCM	M5X40	
18	854255005	SEAL WASHER	4		φ 5	
19	011826703	BASE SET	1			
20	011653501	ENGINE	1	ROBIN EH025P*0203		
21	011427705	HANDLE	1	STKM		
22	011653601	NAME PLATE	1			
23	011257602	PIPE RUBBER	4	NBR		
24	034812401	COUPLING SET	2		25mm	
25	034006501	COUPLING PACKING	2	CR		
26	034078201	HOSE NIPPLE	2	ABS		
27	034078101	COUPLING	2	ABS		
28	011819301	STRAINER SET	1			
29	940019032	HOSE BAND	3		φ 32	
	011653703	PACKING CASE	1			

◆ Bare engine can not be supplied

SE-25F



DWG No.012875803 MODEL:SE-25F FORM:SE-25F-BAD-0

No.	PARTS CODE	PARTS NAME	QTY	MATERIAL	SIZE	REMARKS
	011476001	ENGINE CAUTION LABEL C	1			
	011476201	ENGINE CAUTION LABEL E	1			
	011477804	OPERATION MANUAL	1			
	011481807	DECLARATION	1			
	011474102	CAUTION LABEL	1			
	011471806	CE MARK LABEL	1			
	011643201	EU NOISE LABEL	1			

◆ Bare engine can not be supplied