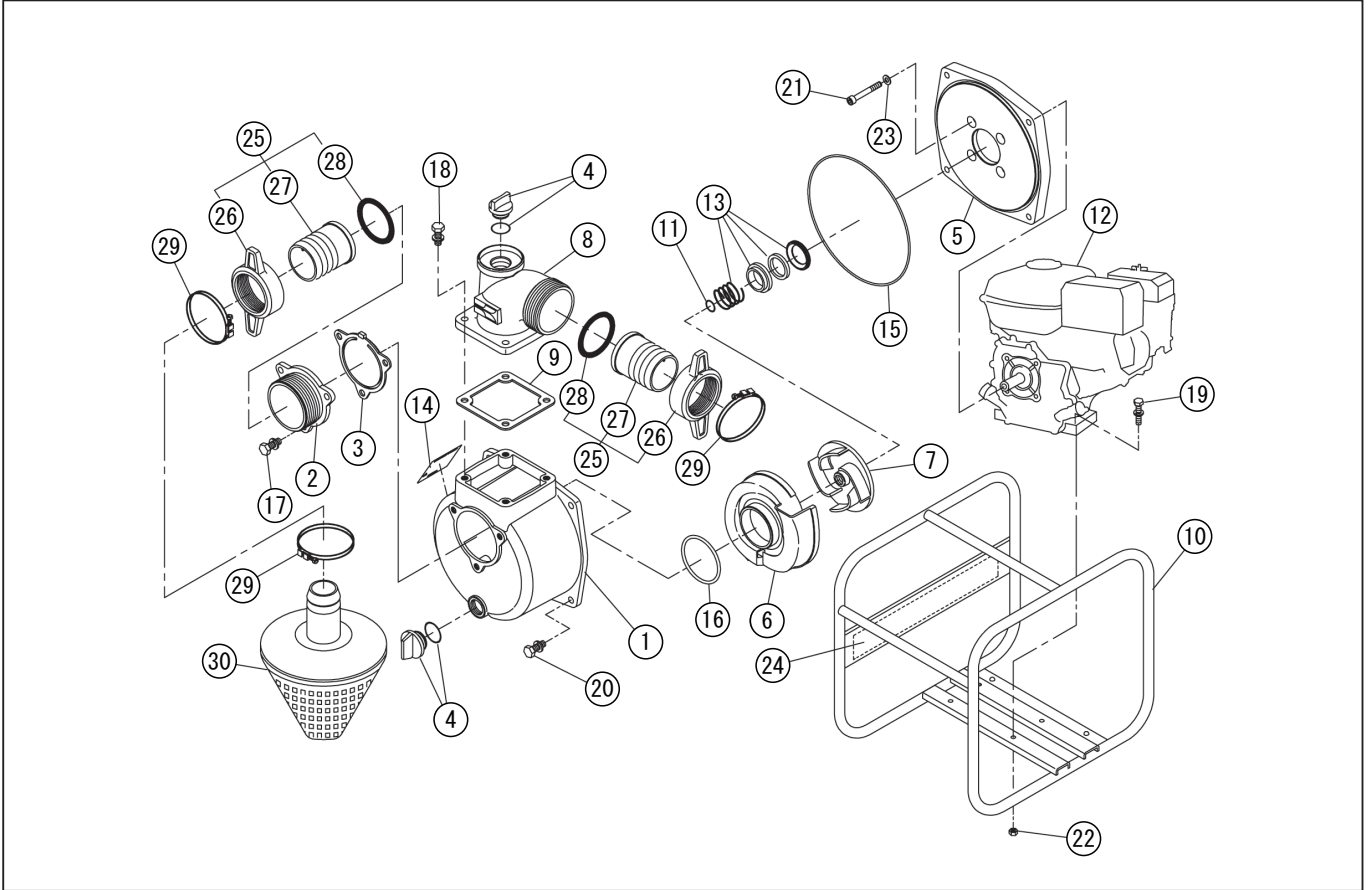


DWG No.012893205 MODEL:SE-50EX FORM:SE-50EX-BAA-3

No.	PARTS CODE	PARTS NAME	QTY	MATERIAL/SIZE	REMARKS
1	0120195	PUMP CASING	1	ADC	
2	0112662	SUCTION FLANGE	1	ADC	
3	0112665	CHECK VALVE	1	NBR	
4	0118078	20A PLUG SET	2		
5	0112579	FLANGE BRACKET	1	ADC	
6	0120933	VOLUTE CASING	1	FC200	
7	0120962	IMPELLER	1	FC200	
8	0110556	DELIVERY FLANGE	1	f=0.63 S=0.38	
9	0110541	DELIVERY FLANGE PACKING	1	CR 70°	
10	0128387	BASE SET	1		
11	0110466	IMPELLER ADJUSTING WASHER	3	BSP T=0.3	
12	0121472	ENGINE	1	ROBIN EX170DM2570(EX16)	
13	0110688	MECHANICAL SEAL	1	CARBON CERAMIC ϕ 18	
14	0120444	NAME PLATE	1	T0.05	
15	0115014	O-RING	1	1517-42.5 NBR	
16	0112792	O-RING	1	P54 NBR	
17	743119045	HEXAGON BOLT	3	M8X20 SWRM	
18	743119047	HEXAGON BOLT	4	M8X25 SWRM	
19	743119051	HEXAGON BOLT	4	M8X35 SWRM	
20	743119046	HEXAGON BOLT	4	M8X22 SWRM	
21	734532076	HEXAGON SOCKET BOLT	4	M8X60 SCM CS	
22	827419008	HEXAGON NUT	4	M8 SWRM	
23	854255008	SEAL WASHER	4	ϕ 8	
24	0120428	SIDE PANEL LABEL	1		
25	0117026	COUPLING SET	2		
26	0113390	COUPLING	2	ABS	
27	0110356	HOSE NIPPLE	2	ABS	
28	0113391	COUPLING PACKING	2	NBR	
29	940019060	HOSE BAND	3	ϕ 60	
30	0118159	STRAINER SET	1		

◆ Bare engine can not be supplied



DWG No.012893205 MODEL:SE-50EX FORM:SE-50EX-BAA-3

No.	PARTS CODE	PARTS NAME	QTY	MATERIAL/SIZE	REMARKS
	0121474	PACKING CASE	1		

◆ Bare engine can not be supplied