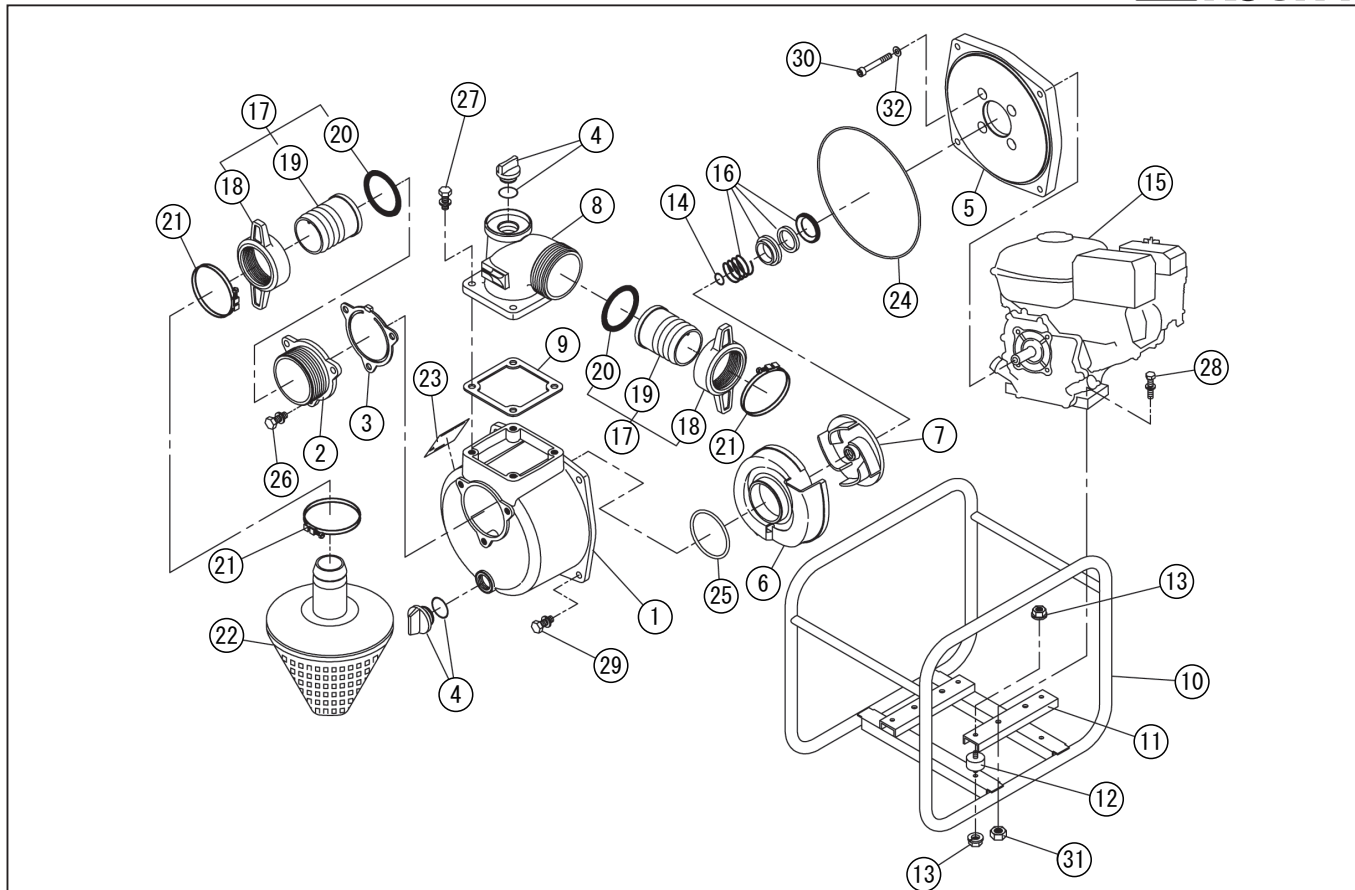


DWG No.011937514 MODEL:SE-50XD FORM:SE-50X-BBA-0 (DY23-2)

No.	PARTS CODE	PARTS NAME	QTY	MATERIAL/SIZE	REMARKS
1	0120195	PUMP CASING	1	ADC	
2	0112662	SUCTION FLANGE	1	ADC	
3	0112665	CHECK VALVE	1	NBR	
4	0118078	20A PLUG SET	2		
5	0112579	FLANGE BRACKET	1	ADC	
6	0113175	VOLUTE CASING	1	FC-20	
7	0111780	IMPELLER	1	FC-20	
8	0110556	DELIVERY FLANGE	1	t=0.63 S=0.38	
9	0110541	DELIVERY FLANGE PACKING	1	CR 70°	
10	0118366	BASE SET	1		ORANGE
11	0113365	ENGINE BASE	2	T4.5X46X20X20X235	
12	0112858	CUSHION RUBBER	4	ME-35 40°	
13	842319008	SPRING NUT	8	M8 SWRM	
14	0110466	IMPELLER ADJUSTING WASHER	3	BSP T=0.3	
15	0113394	ENGINE	1	ROBIN DY232DD1120	
16	0110688	MECHANICAL SEAL	1	CARBON CERAMIC φ 18	
17	0117026	COUPLING SET	2		
18	0113390	COUPLING	2		
19	0110356	HOSE NIPPLE	2		
20	0113391	COUPLING PACKING	2		
21	940019060	HOSE BAND	3	φ 60	
22	0118159	STRAINER SET	1		
23	0113396	NAME PLATE	1		
24	0115014	O-RING	1	1517-42.5 NBR	
25	0112792	O-RING	1	P54 NBR	
26	743119045	HEXAGON BOLT	3	M8X20 SWRM	
27	743119047	HEXAGON BOLT	4	M8X25 SWRM	
28	743119069	HEXAGON BOLT	4	M10X50SWRM	
29	743119046	HEXAGON BOLT	4	M8X22 SWRM	
30	734532076	HEXAGON SOCKET BOLT	4	M8X60 SCM CS	

◆ Bare engine can not be supplied



DWG No.011937514 MODEL:SE-50XD FORM:SE-50X-BBA-0 (DY23-2)

No.	PARTS CODE	PARTS NAME	QTY	MATERIAL/SIZE	REMARKS
31	827419010	HEXAGON NUT	4	M10 SWRM	
32	854255008	SEAL WASHER	4	φ8	
	0113399	PACKING CASE	1		

◆ Bare engine can not be supplied