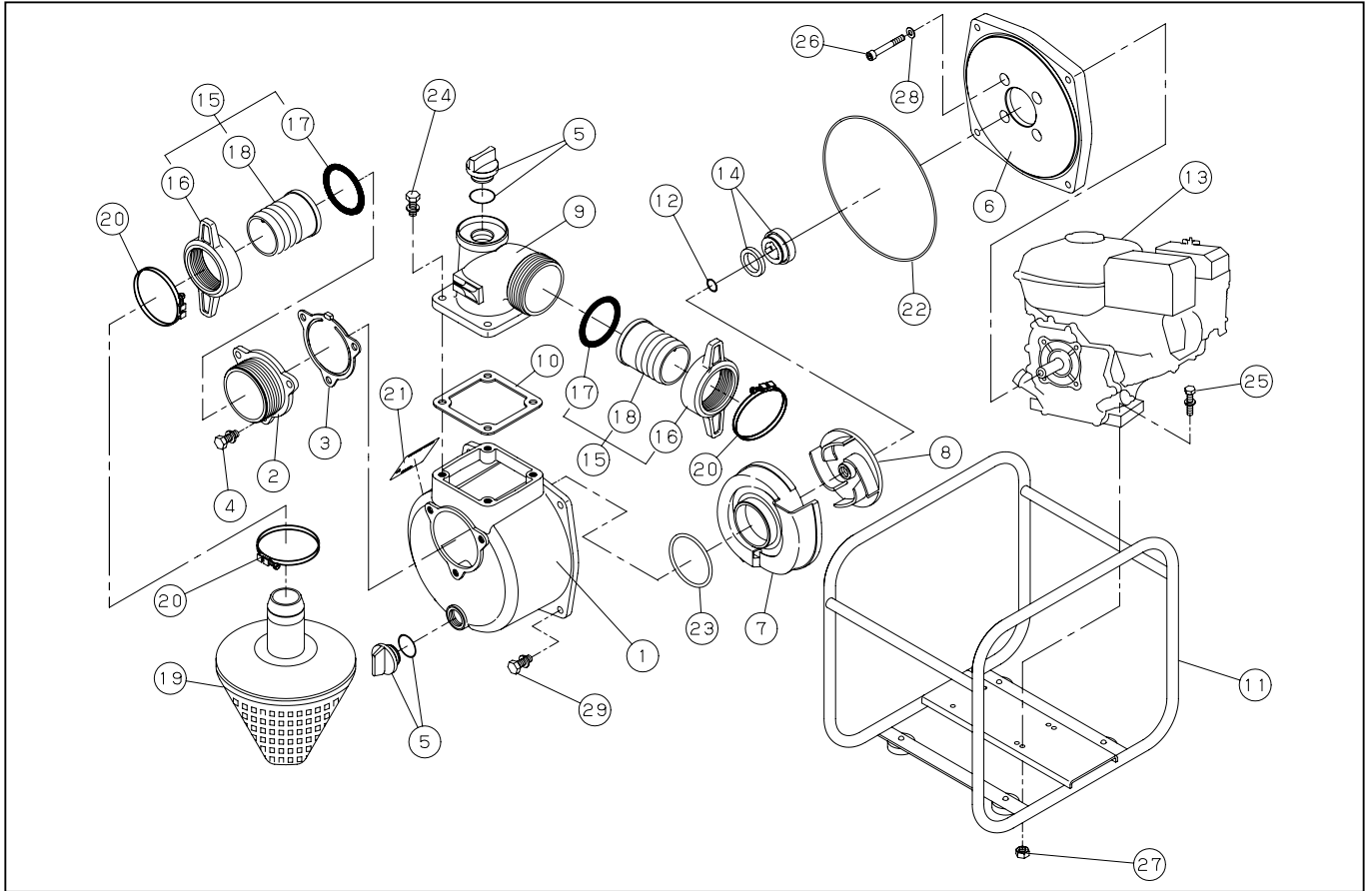


SE-50X

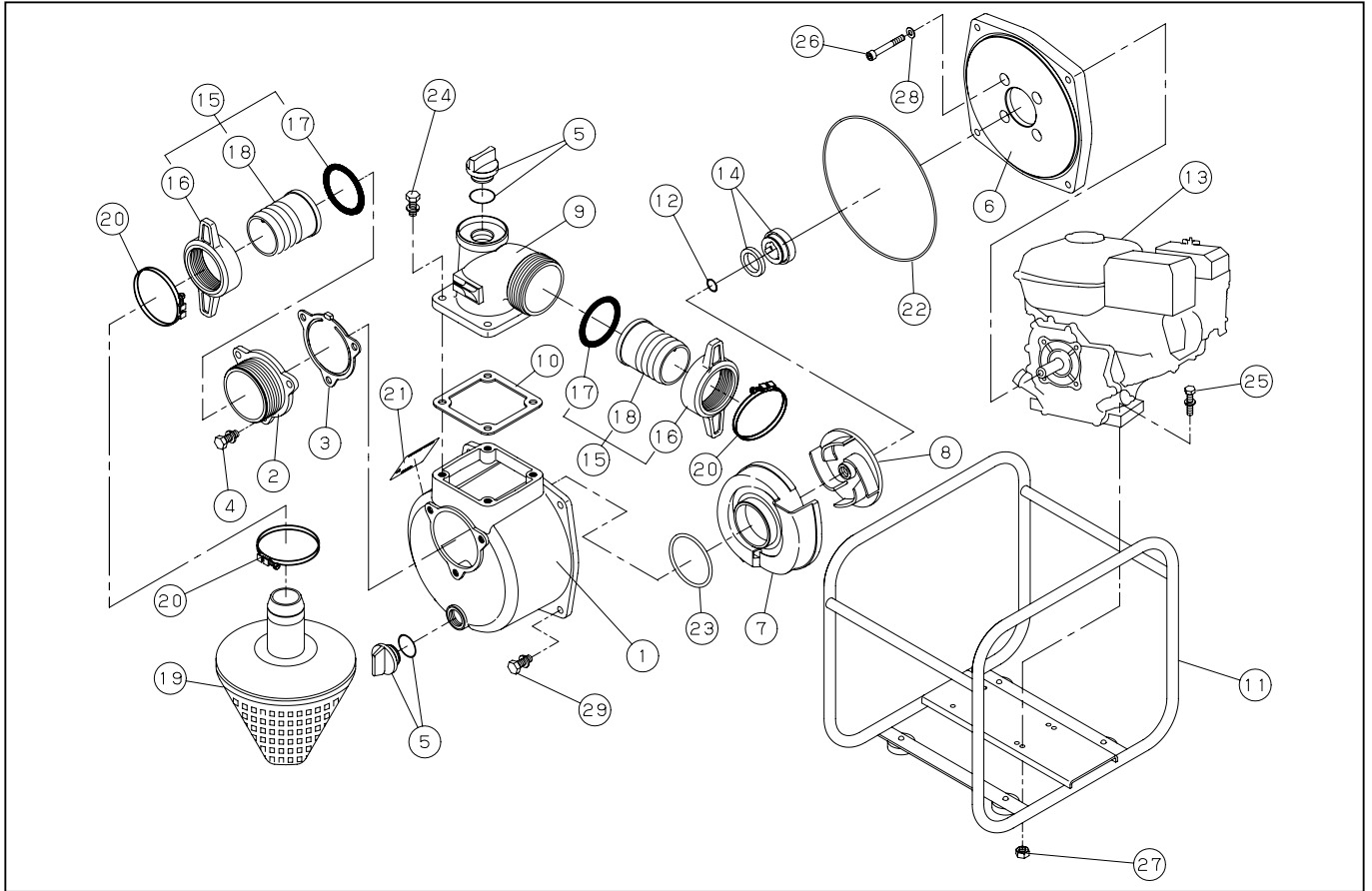


DWG No.011953510 MODEL:SE-50X FORM:SE-50X-BBM-2

No.	PARTS CODE	PARTS NAME	QTY	MATERIAL	SIZE	REMARKS
1	012019501	PUMP CASING	1	ADC		
2	011266203	SUCTION FLANGE	1	ADC		
3	011266501	CHECK VALVE	1	NBR		
4	743119045	HEXAGON BOLT	3	SWRM	M8X20	
5	011807802	20A PLUG SET	2			
6	011257902	FLANGE BRACKET	1	ADC		
7	011272002	VOLUTE CASING	1	ADC		
8	011156303	IMPELLER	1	FC		
9	011055605	DELIVERY FLANGE	1	ADC		
10	011054102	DELIVERY FLANGE PACKING	1	CR		
11	011720401	BASE SET	1			
12	011067003	IMPELLER ADJUSTING WASHER	3			
13	011394601	ENGINE	1	EY200DD1890		
14	011068702	MECHANICAL SEAL	1	HG9A-MN ϕ 19		
15	011702603	COUPLING SET	2			
16	011339002	COUPLING	2	ABS		
17	011339101	COUPLING PACKING	2	NBR		
18	011035605	HOSE NIPPLE	2	ABS		
19	011815901	STRAINER SET	1	PP		
20	940019060	HOSE BAND	3		ϕ 60	
21	011439403	NAME PLATE	1			
22	011501401	O-RING	1	NBR	1517-42.5	
23	011279201	O-RING	1	NBR	P54	
24	743119047	HEXAGON BOLT	4	SWRM	M8X25	
25	743119053	HEXAGON BOLT	4	SWRM	M8X40	
26	011210401	HEXAGON SOCKET BOLT	4	5/16-24UNF X60		
27	827419008	HEXAGON NUT	4	SWRM	M8	
28	854255008	SEAL WASHER	4		ϕ 8	
29	743119046	HEXAGON BOLT	4	SWRM	M8X22	
	011439503	PACKING CASE	1			

◆ Bare engine can not be supplied

SE-50X



DWG No.011953510 MODEL:SE-50X FORM:SE-50X-BBM-2

No.	PARTS CODE	PARTS NAME	QTY	MATERIAL	SIZE	REMARKS
	012047401	OPERATION MANUAL	1			
	012047201	SPECIFICATION SHEET	1			

◆ Bare engine can not be supplied