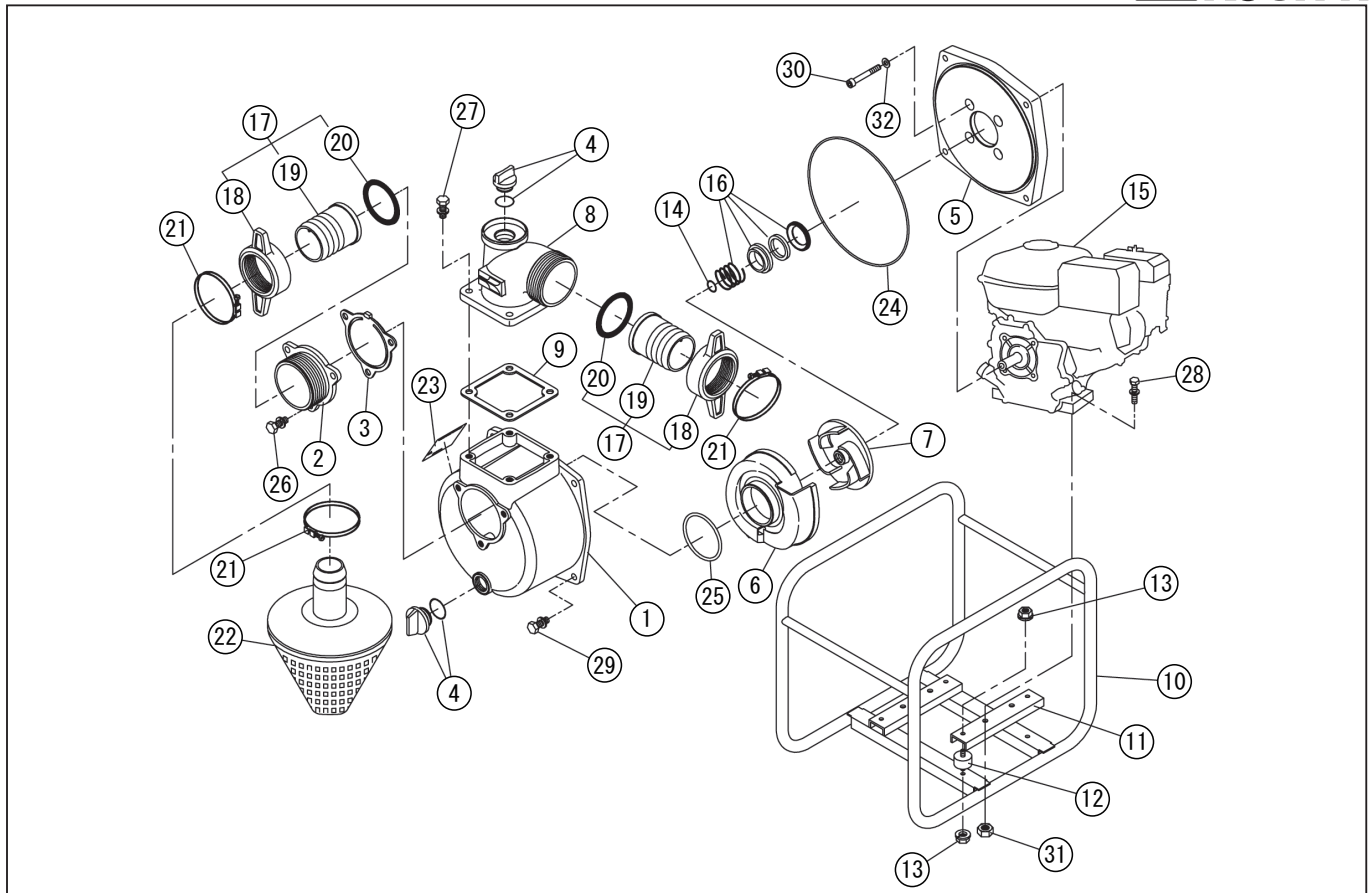


DWG No.011969206 MODEL : SE-50XD FORM : SE-50EX-BBV-1 (DY23-2)

| No. | PARTS CODE | PARTS NAME | QTY | MATERIAL/SIZE | REMARKS |
|-----|------------|---------------------------|-----|---------------------|---------|
| 1 | 0120195 | PUMP CASING | 1 | ADC | |
| 2 | 0112662 | SUCTION FLANGE | 1 | ADC | |
| 3 | 0112665 | CHECK VALVE | 1 | NBR | |
| 4 | 0118078 | 20A PLUG SET | 2 | | |
| 5 | 0112579 | FLANGE BRACKET | 1 | ADC | |
| 6 | 0113175 | VOLUTE CASING | 1 | FC-20 | |
| 7 | 0111780 | IMPELLER | 1 | FC-20 | |
| 8 | 0110556 | DELIVERY FLANGE | 1 | f=0.63 S=0.38 | |
| 9 | 0110541 | DELIVERY FLANGE PACKING | 1 | CR 70° | |
| 10 | 0118366 | BASE SET | 1 | | ORANGE |
| 11 | 0113365 | ENGINE BASE | 2 | T4.5X46X20X20X235 | |
| 12 | 0112858 | CUSHION RUBBER | 4 | ME-35 40° | |
| 13 | 842319008 | SPRING NUT | 8 | M8 SWRM | |
| 14 | 0110466 | IMPELLER ADJUSTING WASHER | 3 | BSP T=0.3 | |
| 15 | 0115162 | ENGINE | 1 | ROBIN DY232DD1620 | |
| 16 | 0110688 | MECHANICAL SEAL | 1 | CARBON CERAMIC φ 18 | |
| 17 | 0117026 | COUPLING SET | 2 | | |
| 18 | 0113390 | COUPLING | 2 | ABS | |
| 19 | 0110356 | HOSE NIPPLE | 2 | ABS | |
| 20 | 0113391 | COUPLING PACKING | 2 | NBR | |
| 21 | 940019060 | HOSE BAND | 3 | φ 60 | |
| 22 | 0118159 | STRAINER SET | 1 | PP | |
| 23 | 0114791 | NAME PLATE | 1 | | |
| 24 | 0115014 | O-RING | 1 | 1517-42.5 NBR | |
| 25 | 0112792 | O-RING | 1 | P54 NBR | |
| 26 | 743119045 | HEXAGON BOLT | 3 | M8X20 SWRM | |
| 27 | 743119047 | HEXAGON BOLT | 4 | M8X25 SWRM | |
| 28 | 743119069 | HEXAGON BOLT | 4 | M10X50 SWRM | |
| 29 | 743119046 | HEXAGON BOLT | 4 | M8X22 SWRM | |
| 30 | 734532076 | HEXAGON SOCKET BOLT | 4 | M8X60 SCM CS | |

◆ Bare engine can not be supplied



DWG No.011969206 MODEL : SE-50XD FORM : SE-50EX-BBV-1 (DY23-2)

| No. | PARTS CODE | PARTS NAME | QTY | MATERIAL/SIZE | REMARKS |
|-----|------------|--------------|-----|---------------|---------|
| 31 | 827419010 | HEXAGON NUT | 4 | M10 SWRM | |
| 32 | 854255008 | SEAL WASHER | 4 | $\phi 8$ | |
| | 0113399 | PACKING CASE | 1 | | |