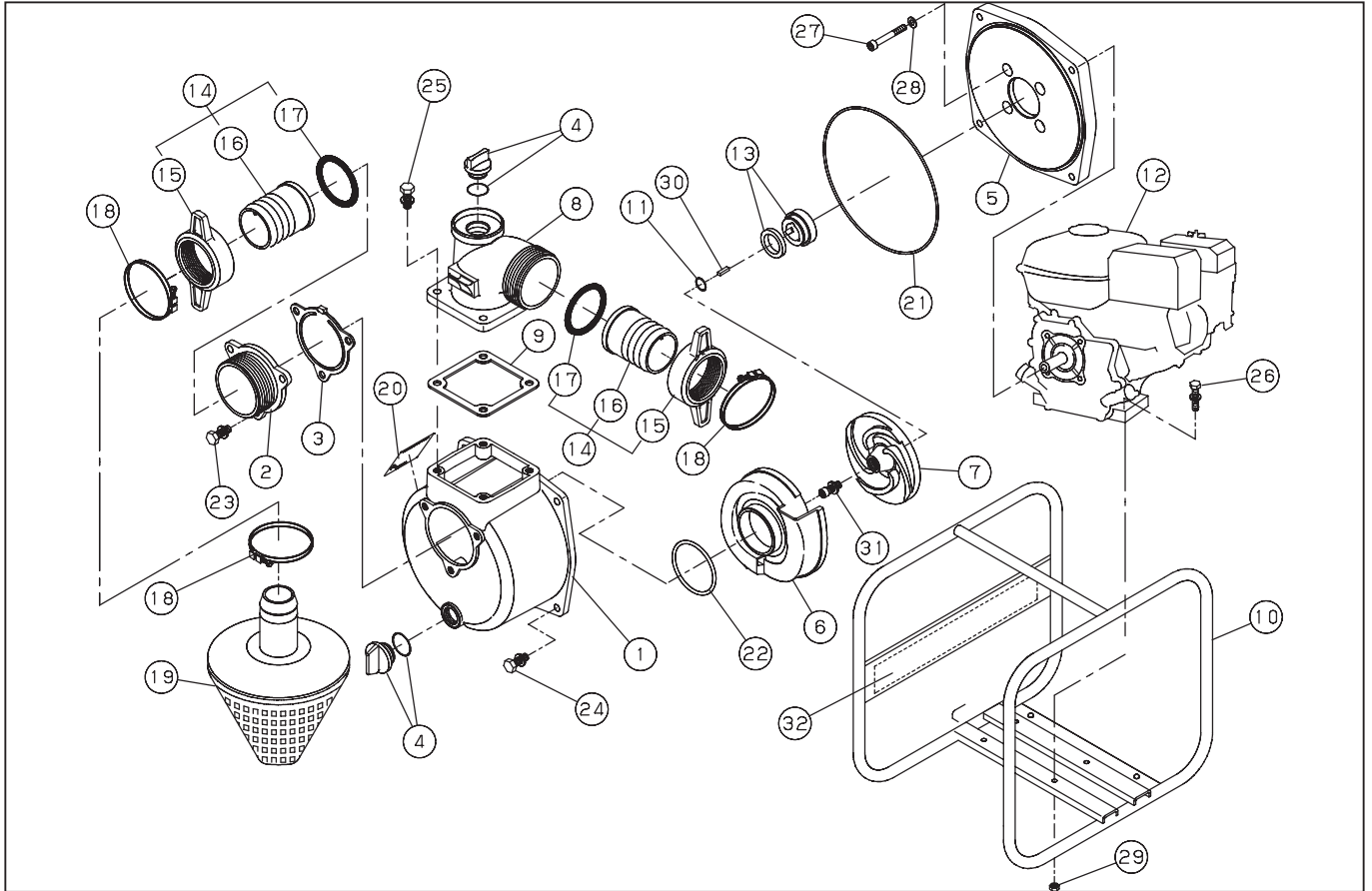


SE-50X

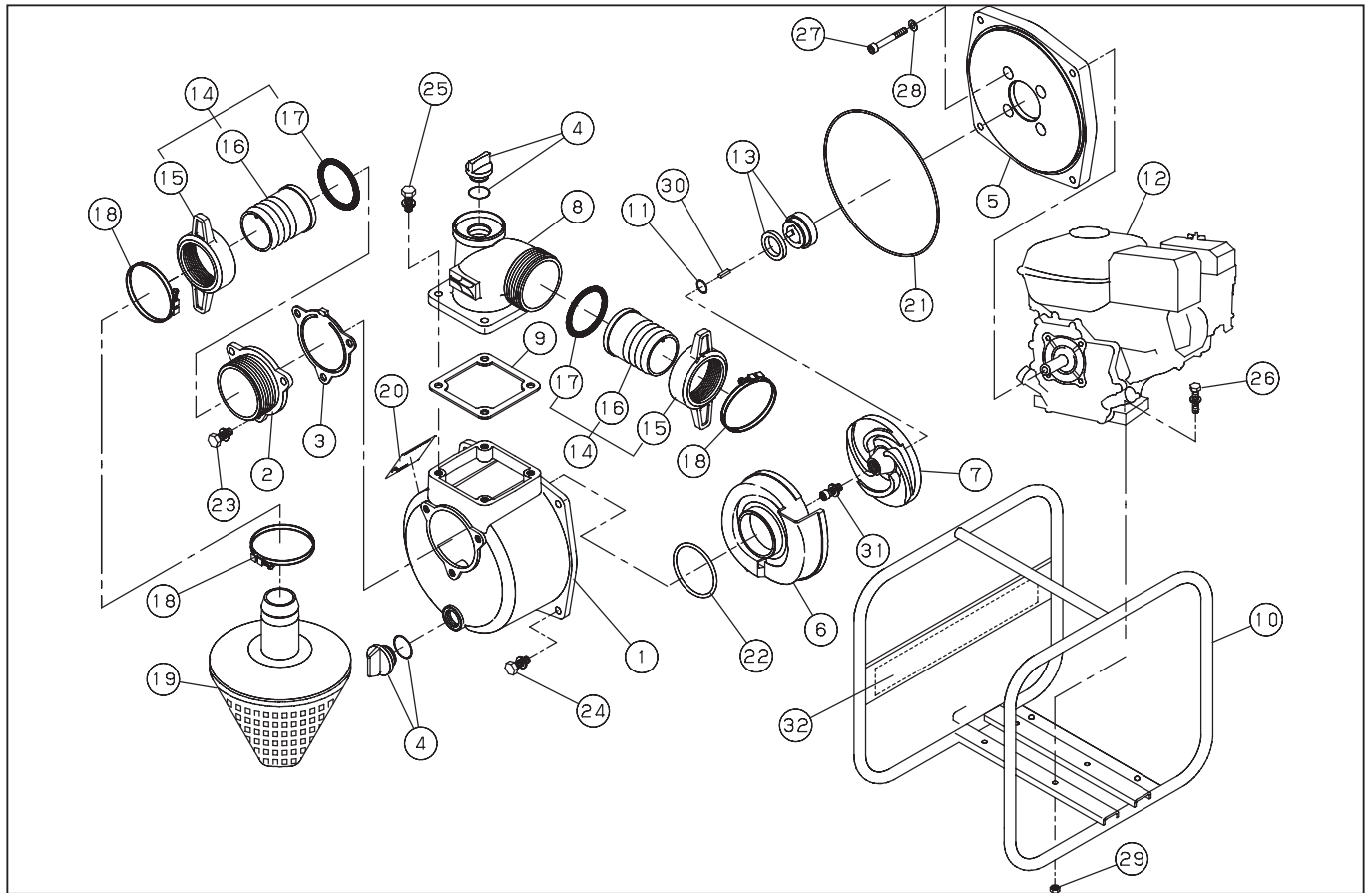


DWG No. 066861102 MODEL:SE-50X FORM:SE-50X-BDS-0

No.	PARTS CODE	PARTS NAME	QTY	MATERIAL	SIZE	REMARKS
1	012019501	PUMP CASING	1	ADC		
2	011266203	SUCTION FLANGE	1	ADC		
3	011266501	CHECK VALVE	1	NBR		
4	011807802	20A PLUG SET	2			
5	011402702	FLANGE BRACKET	1			
6	011464001	VOLUTE CASING	1	FC-20		
7	011404101	IMPELLER	1	FC20		
8	011055605	DELIVERY FLANGE	1	ADC		
9	011054102	FLANGE PACKING	1	CR		
10	012830501	BASE SET	1			
11	011409201	IMPELLER ADJUSTING WASHER	3	BSP		
12	012121401	ENGINE	1			ROBIN EY203DC0510
13	011409001	MECHANICAL SEAL	1	EH790-020		
14	011702602	COUPLING SET	2	ABS		
15	011339002	COUPLING	2	ABS		
16	011035605	HOSE NIPPLE	2	ABS		
17	011339101	COUPLING PACKING	2	NBR		
18	940019060	HOSE BAND	3		φ 60	
19	011815901	STRAINER	1	PP		
20	012124301	NAME PLATE	1			
21	011501401	O-RING	1	NBR	1517-42.5	
22	011279201	O-RING	1	NBR	P54	(SAME AS 889855055)
23	743119045	HEXAGON BOLT	3	SWRM	M8X20	
24	743119046	HEXAGON BOLT	4	SWRM	M8X22	
25	743119047	HEXAGON BOLT	4	SWRM	M8X25	
26	743119051	HEXAGON BOLT	4	SWRM	M8X35	
27	011210401	HEXAGON SOCKET BOLT	4	5/16-24UNF X60		
28	854255008	SEAL WASHER	4		φ 8	
29	827419008	HEXAGON NUT	4	SWRM	M8	
30	012123901	KEY	1			

◆ Bare engine can not be supplied

SE-50X



DWG No. 066861102 MODEL:SE-50X FORM:SE-50X-BDS-0

No.	PARTS CODE	PARTS NAME	QTY	MATERIAL	SIZE	REMARKS
31	012125001	HEXAGON BOLT	1			
32	012121901	SIDE PANEL LABEL	1			
	012124801	PACKING CASE	1			
	012045801	OPERATION MANUAL	1			
	012124501	SPECIFICATION SHEET	1			

◆ Bare engine can not be supplied