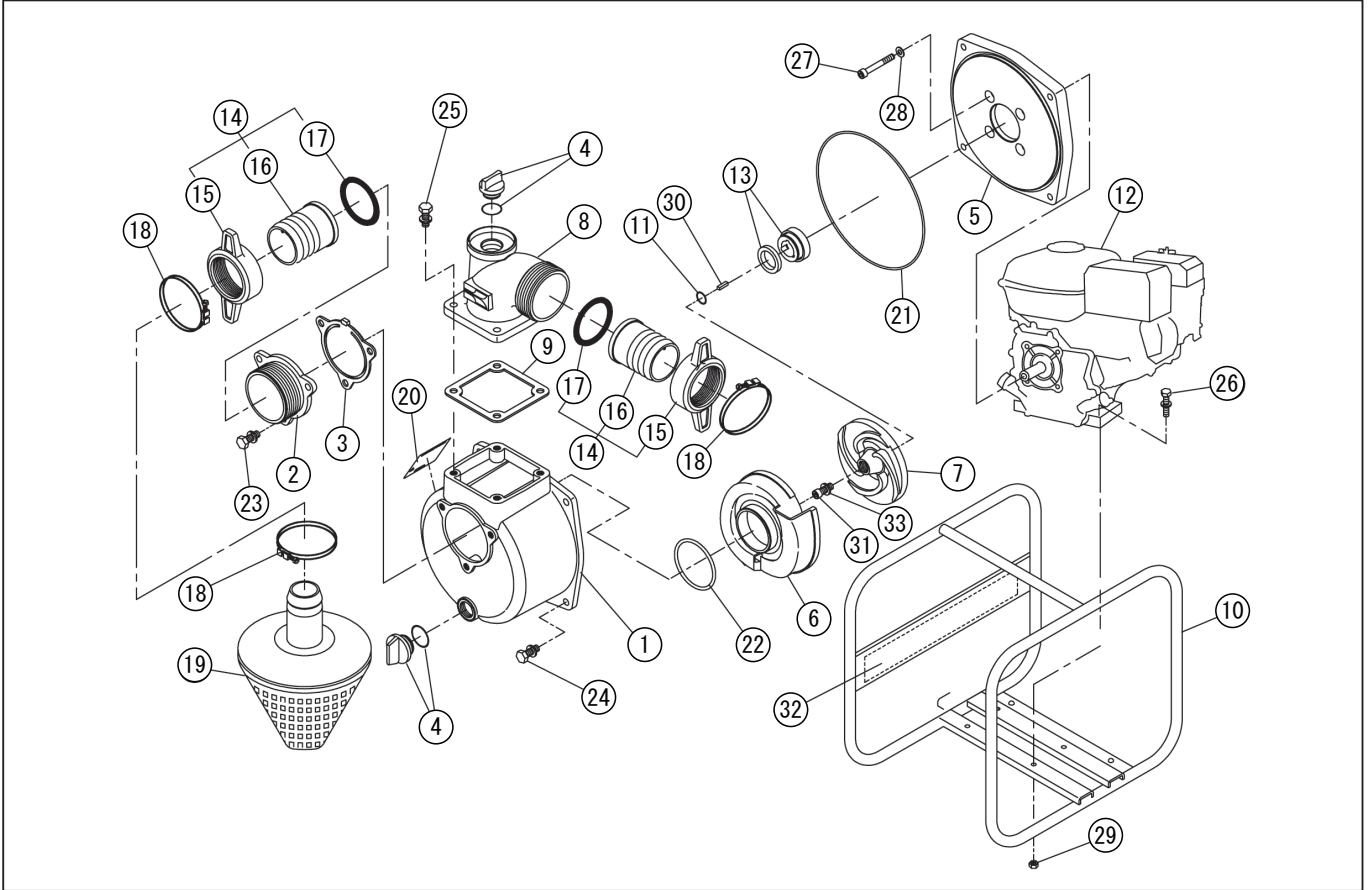


DWG No.066861105 MODEL : SE-50X FORM : SE-50X-BDS-0

No.	PARTS CODE	PARTS NAME	QTY	MATERIAL/SIZE	REMARKS
1	0120195	PUMP CASING	1	ADC	
2	0112662	SUCTION FLANGE	1	ADC	
3	0112665	CHECK VALVE	1	NBR	
4	0118078	20A PLUG SET	2		
7	0114027	FLANGE BRACKET	1	ADC	
9	0114640	VOLUTE CASING	1	FC-20	
10	0114041	IMPELLER	1	FC200	
11	0110556	DELIVERY FLANGE	1	f=0.63 S=0.38	
12	0110541	DELIVERY FLANGE PACKING	1	CR 70°	
13	0128305	BASE SET	1		
14	0114092	IMPELLER ADJUSTING WASHER A	3	BSP T0.3	
15	0121214	ENGINE	1	ROBIN EY203DC0510	
16	0114090	MECHANICAL SEAL	1	EH790-020	
18	0117026	COUPLING SET	2		
19	0113390	COUPLING	2	ABS	
20	0113391	COUPLING PACKING	2	NBR	
21	0110356	HOSE NIPPLE	2	ABS	
22	0118159	STRAINER SET	1	PP	
23	940019060	HOSE BAND	3	φ 60	
24	0121243	NAME PLATE	1	T0.05	
25	0115014	O-RING	1	1517-42.5 NBR	
26	0112792	O-RING	1	P54 NBR	
27	743119045	HEXAGON BOLT	3	M8X20 SWRM	
28	743119047	HEXAGON BOLT	4	M8X25 SWRM	
29	743119053	HEXAGON BOLT	4	M8X40 SWRM	
30	743119046	HEXAGON BOLT	4	M8X22 SWRM	
31	0112104	HEXAGON SOCKET BOLT	4	5/16-24UNFX60	
32	827419008	HEXAGON NUT	4	M8 SWRM	
33	854255008	SEAL WASHER	4	φ 8	
34	0121248	PACKING CASE	1		

◆ Bare engine can not be supplied



DWG No.066861105 MODEL : SE-50X FORM : SE-50X-BDS-0

No.	PARTS CODE	PARTS NAME	QTY	MATERIAL/SIZE	REMARKS
38	0121239	KEY	1	S45C 4.75*4.5*18.5	
39	0121250	HEXAGON SOCKET BOLT	1	3/8-24 UNF*1" SCM SW 付	
40	0120428	SIDE PANEL LABEL	1		
43	854255010	SEAL WASHER	1	φ 10	

◆ Bare engine can not be supplied