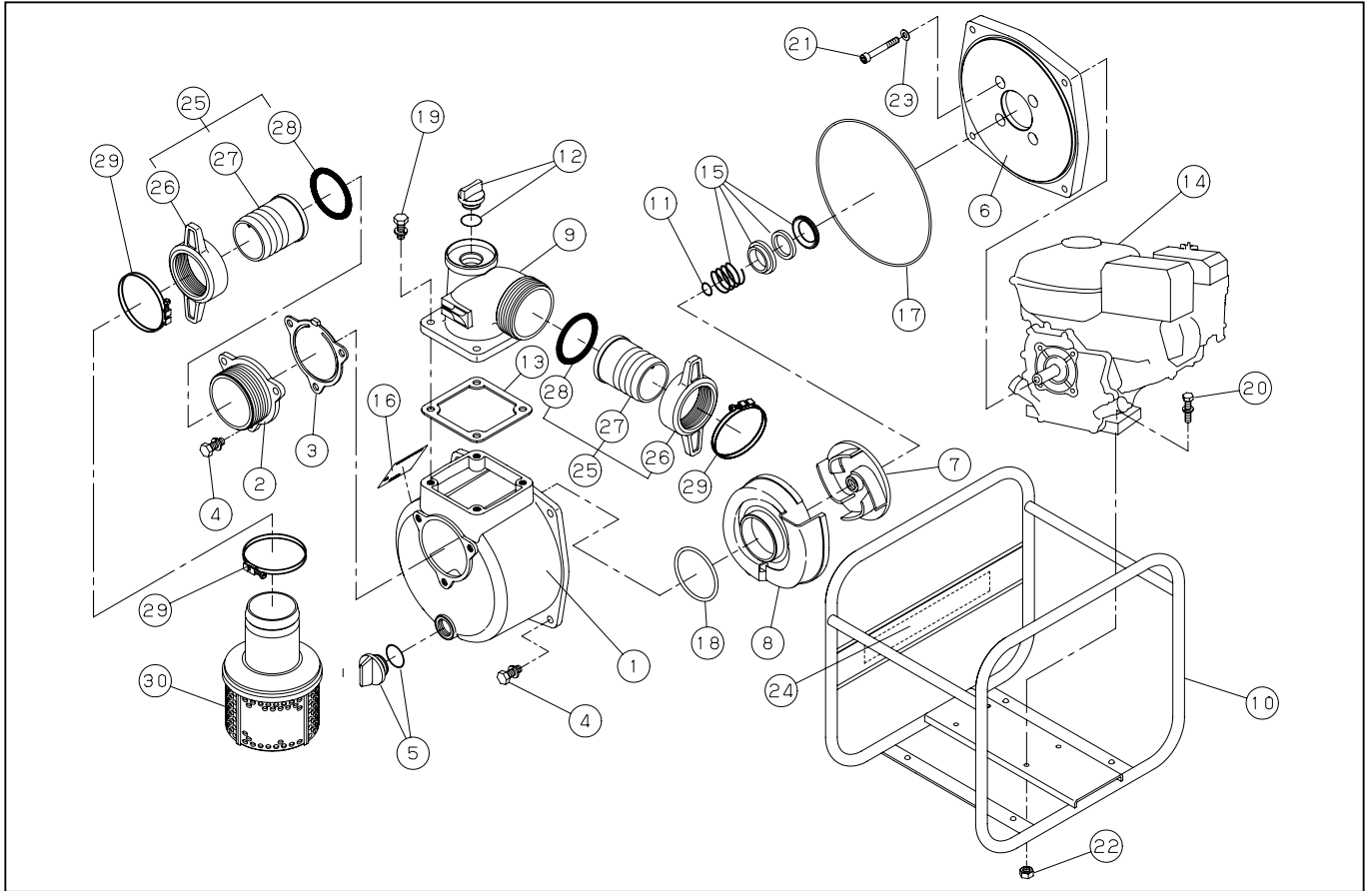


SE-80EX

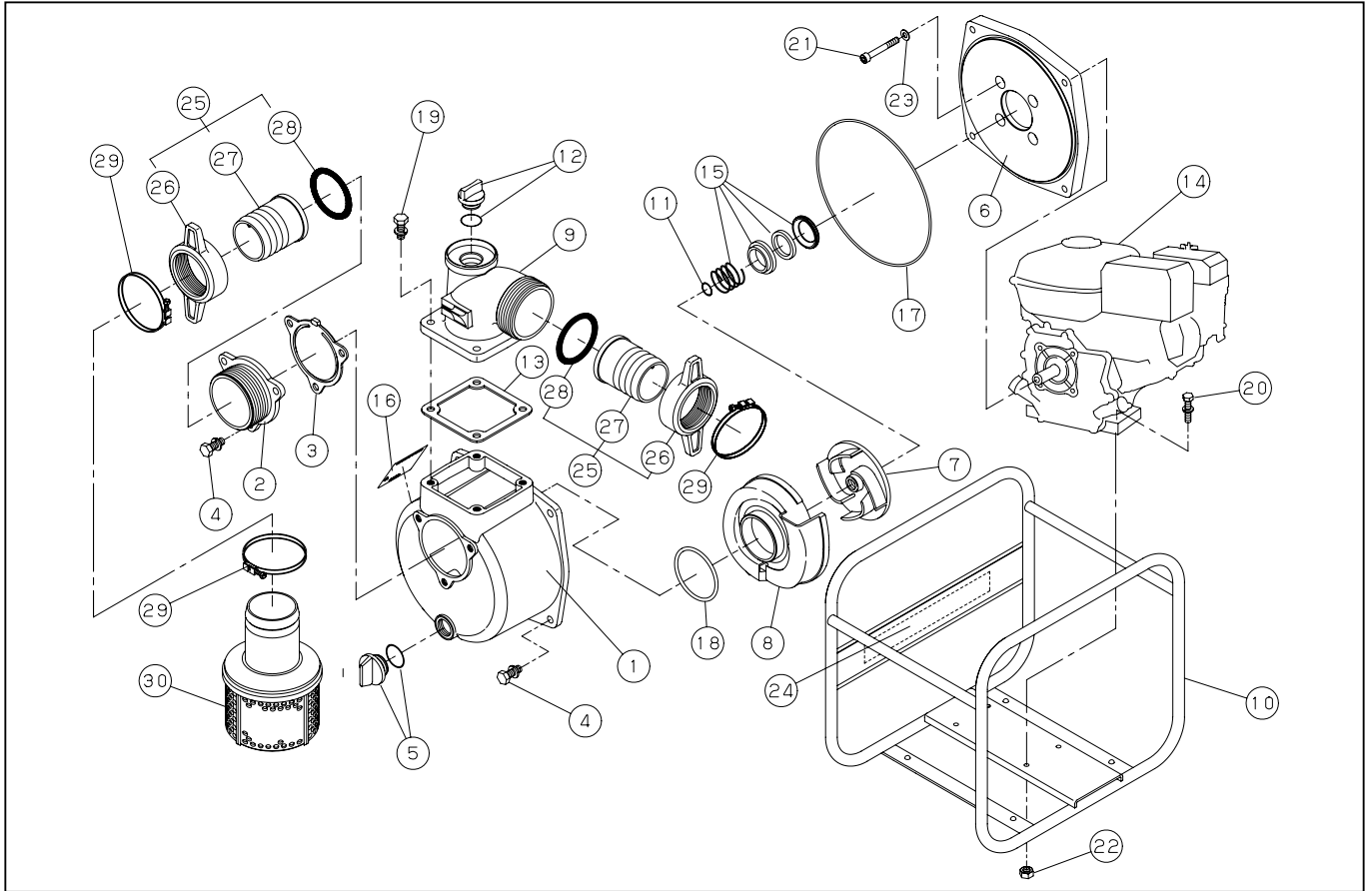


DWG No.012893301 MODEL:SE-80EX FORM:SE-80EX-BAA-0

No.	PARTS CODE	PARTS NAME	QTY	MATERIAL	SIZE	REMARKS
1	012019601	PUMP CASING	1	ADC		
2	011279701	SUCTION FLANGE	1	ADC		
3	011279901	CHECK VALVE	1	NBR		
4	743119061	HEXAGON BOLT	7	SWRM	M10X25	
5	011807802	20A PLUG SET	1			
6	011279601	FLANGE BRACKET	1	ADC		
7	011505702	IMPELLER	1	FC		
8	011437902	VOLUTE CASING	1	FC		
9	011057003	DELIVERY FLANGE	1	ADC		
10	011799801	BASE SET	1			
11	011049102	IMPELLER ADJUSTING WASHER	3	BSP		
12	011807901	25A PLUG SET	1			
13	011058402	DELIVERY FLANGE PACKING	1	CR		
14	011676001	ENGINE	1			
15	011066402	MECHANICAL SEAL	1		φ 20	
16	012044601	NAME PLATE	1			
17	011501501	O-RING	1	NBR	1517-46.5	
18	011398901	O-RING	1	NBR	P74	
19	743119063	HEXAGON BOLT	4	SWRM	M10X30	
20	743119053	HEXAGON BOLT	4	SWRM	M8X40	
21	734532076	HEXAGON SOCKET BOLT	4	SCM	M8X60	
22	827419008	HEXAGON NUT	4	SWRM	M8	
23	854255008	SEAL WASHER	4		φ 8	
24	012042801	SIDE PANEL LABEL	1			
25	011702802	COUPLING SET	2	ABS		
26	011437502	COUPLING	2	ABS		
27	011030105	HOSE NIPPLE	2	ABS		
28	011437801	COUPLING PACKING	2	NBR		
29	940019090	HOSE BAND	3		φ 90	
30	011819501	STRAINER SET	1	PP		

◆ Bare engine can not be supplied

SE-80EX



DWG No.012893301 MODEL:SE-80EX FORM:SE-80EX-BAA-0

No.	PARTS CODE	PARTS NAME	QTY	MATERIAL	SIZE	REMARKS
	012044701	PACKING CASE	1			
	012046101	OPERATION MANUAL(5LANGS)	1	A5		
	011471806	CE MARK LABEL	1			
	011471302	CAUTION LABEL	1			
	012047001	DECLARATION	1			
	011643401	EU NOISE LABEL (108)	1			
	012046001	WARRANTY CARD	1			

◆ Bare engine can not be supplied