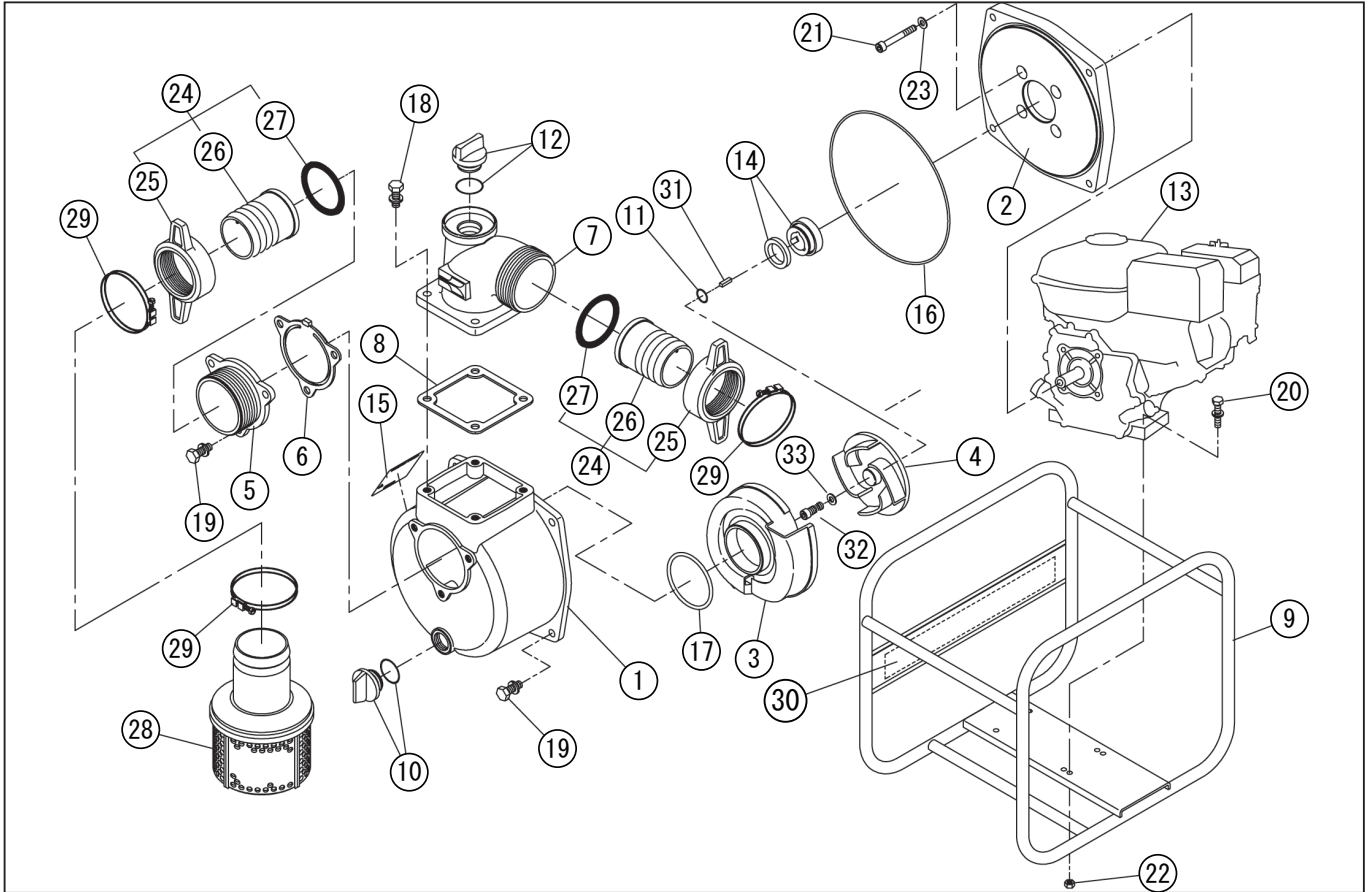


DWG No.066861205 MODEL:SE-80X FORM:SE-80X-BEB-0

No.	PARTS CODE	PARTS NAME	QTY	MATERIAL/SIZE	LIST PRICE	REMARKS
1	0120196	PUMP CASING	1	ADC	8,400	
2	0115269	FLANGE BRACKET	1	ADC	4,400	
3	0114379	VOLUTE CASING	1		3,700	
4	0121212	IMPELLER	1	FC200	3700	
5	0112797	SUCTION FLANGE	1	ADC	1,900	
6	0112799	CHECK VALVE	1	NBR	1,200	
7	0110570	DELIVERY FLANGE	1	ADC	4,100	
8	0110584	DELIVERY FLANGE PACKING	1	CR	400	
9	0128305	BASE SET	1		6,800	
10	0118078	20A PLUG SET	1		300	
11	0114092	IMPELLER ADJUSTING WASHER	3	BSP T0.3	100	
12	0118079	25A PLUG SET	1		300	
13	0121214	ENGINE	1	ROBIN EY203DC0510	-	
14	0114090	MECHANICAL SEAL	1	EH790-020	2,300	
15	0121244	NAME PLATE	1	T0.05	100	
16	0115015	O-RING	1	1517-46.5 NBR	450	
17	0113989	O-RING	1	P74 NBR	200	
18	743119063	HEXAGON BOLT	4	M10X30 SWRM	100	
19	743119061	HEXAGON BOLT	7	M10X25 SWRM	100	
20	743119053	HEXAGON BOLT	4	M8X40 SWRM	100	
21	771932033	HEXAGON SOCKET BOLT	4	5/16-24UNF × 1"	700	
22	827419008	HEXAGON NUT	4	M8 SWRM	100	
23	854255008	SEAL WASHER	4	φ 8	100	
24	0117028	COUPLING SET	2		1,500	
25	0114375	COUPLING	2	ABS	800	
26	0110301	HOSE NIPPLE	2	ABS	450	
27	0114378	COUPLING PACKING	2	NBR.HS65±5	250	
28	0118195	STRAINER SET	1	PP	2,300	
29	940019090	HOSE BAND	3	φ 90	200	
30	0120428	SIDE PANEL LABEL	1		200	

◆ Bare engine can not be supplied



DWG No.066861205 MODEL:SE-80X FORM:SE-80X-BEB-0

No.	PARTS CODE	PARTS NAME	QTY	MATERIAL/SIZE	LIST PRICE	REMARKS
31	0121238	KEY	1	S45C 4.75X4.5X33.5	300	
32	0121250	HEXAGON SOCKET BOLT	1	3/8-24 UNFX 1"	700	
33	854255010	SEAL WASHER	1	φ 10	100	
	0121247	PACKING CASE	1		1,700	

◆ Bare engine can not be supplied