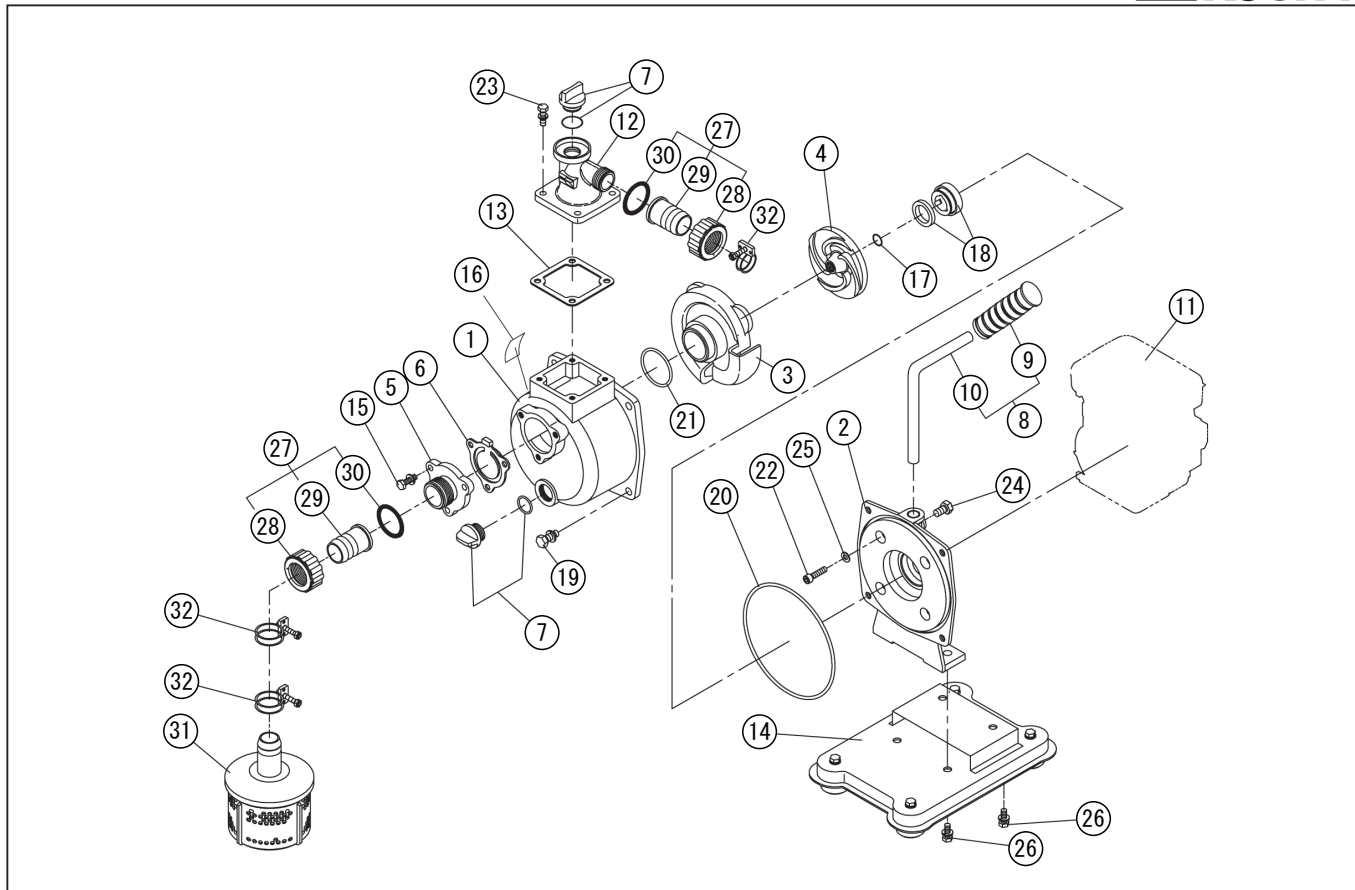


DWG No.012885104 MODELE : SEH-25H FORM : SEH-25H-BAD-1

No.	PARTS CODE	PARTS NAME	QTY	MATERIAL/SIZE	REMARKS
1	012019501	PUMP CASING	1	ADC	
2	011692602	FLANGE BRACKET	1	ADC	
3	011699402	VOLUTE CASING	1	FC20	
4	011693701	IMPELLER	1	FC20	
5	011400201	SUCTION FLANGE	1	ADC	
6	011332801	CHECK VALVE	1	NBR	
7	011807802	20A PLUG SET	2		
8	011787402	HANDLE ASSY	1		
9	011011003	HANDLE RUBBER	1	F-23	
10	012006302	HANDLE	1		
11	012006501	ENGINE	1	HONDA GXH50 WK4	
12	011144903	DELIVERY FLANGE	1	ADC	
13	011059301	DELIVERY FLANGE PACKING	1	CR	
14	011787301	BASE SET	1	SPC	
15	743119045	HEXAGON BOLT	3	M8X20 SWRM	
16	012006402	NAME PLATE	1		
17	012008001	IMPELLER ADJUSTING WASHER	1	BSP	
18	011068503	MECHANICAL SEAL	1	BEH 791 φ 16	
19	743119046	HEXAGON BOLT	4	M8X22 SWRM	
20	011501401	O-RING	1	1517-42.5 NBR	
21	889855048	O-RING	1	P48 NBR	
22	734532055	HEXAGON SOCKET BOLT	4	M6X35 SCMCS	
23	743119047	HEXAGON BOLT	4	M8X25 SWRM	
24	735719145	HEXAGON BOLT	1	M8X14	
25	854255006	SEAL WASHER	4	φ 6+	
26	743119030	HEXAGON BOLT	4	M6X16 SWRM	
27	034812401	COUPLING SET	2		
28	034078101	COUPLING	2	ABS	
29	034078201	HOSE NIPPLE	2	ABS	
30	034006501	COUPLING PACKING	2	CR	

◆ Bare engine can not be supplied



DWG No.012885104 MODELE : SEH-25H FORM : SEH-25H-BAD-1

No.	PARTS CODE	PARTS NAME	QTY	MATERIAL/SIZE	REMARKS
31	011819301	STRAINER SET	1		
32	940019032	HOSE BAND	3	φ 32	
	012006601	PACKING CASE	1		

◆ Bare engine can not be supplied