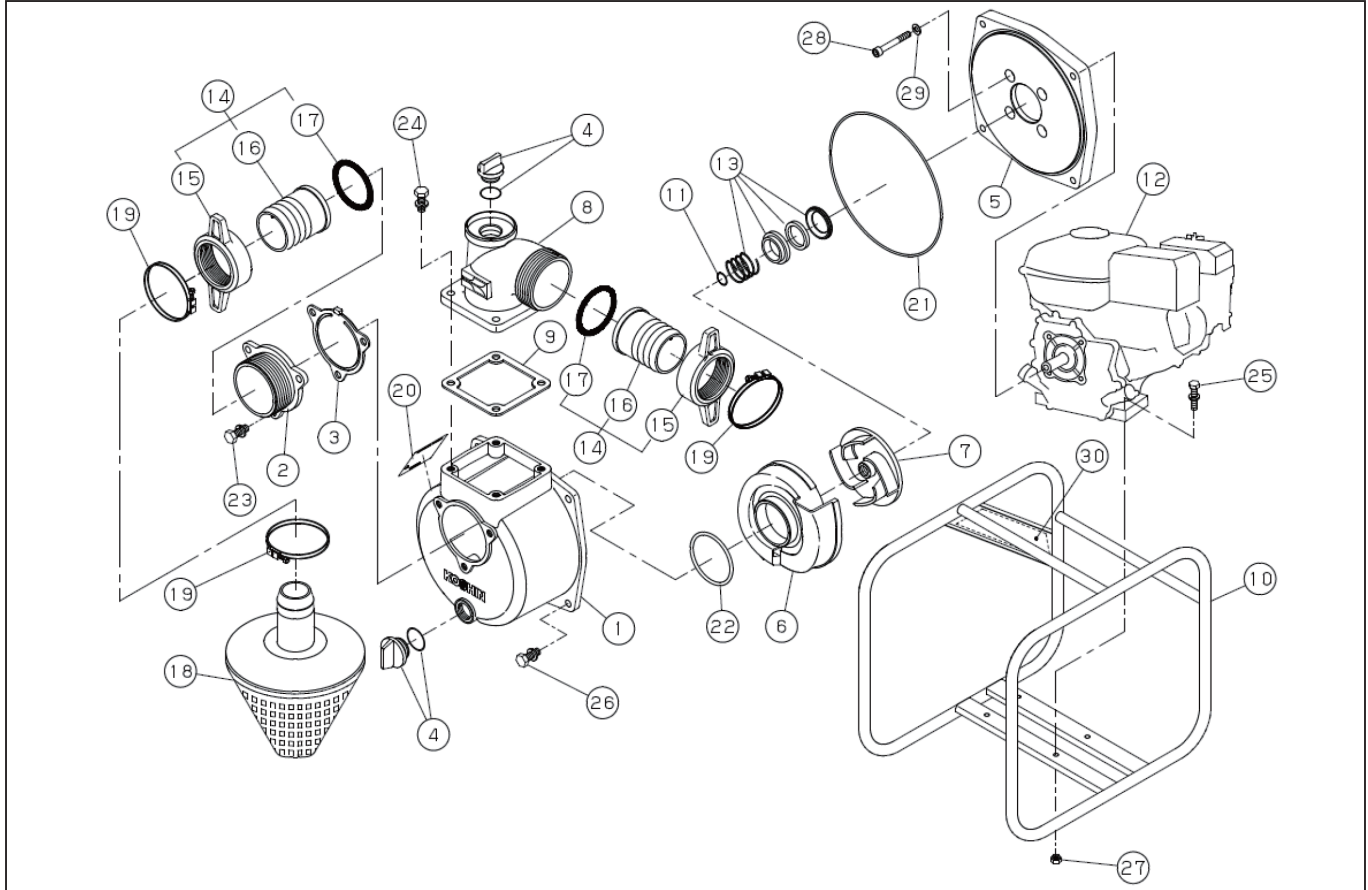


DWG No.012948703 / 013859401 MODELE : SEH-50P FORM : SEH-50P-BAA-0 / BAC-0

No.	PARTS CODE	PARTS NAME	QTY	MATERIAL/SIZE	REMARKS
1	0120195	PUMP CASE	1	ADC	
2	0112662	SUCTION FLANGE	1	ADC	
3	0112665	CHECK VALVE	1	NBR	
4	0118078	20A PLUG SET	2		
5	0121226	FLANGE BRACKET	1	ADC	
6	0120933	VOLUTE CASING	1	FC200	
7	0121227	IMPELLER	1	FC200	
8	0110556	DELIVERY FLANGE	1	ADC	
9	0123234	FLANGE PACKING	1	NBR 70°	
10	0127348	BASE SET	1		
11	0110491	IMPELLER ADJUSTING WASHER	3	BSP1 T0.3	
12	0123377	ENGINE for BAA	1	GP160H WH1(R280)	
12	0122186	ENGINE for BAC	1	GP160H WH1	
13	0110664	MECHANICAL SEAL	1	φ 20	
14	0127122	COUPLING SET	2	ABS	
15	0122496	COUPLING	2	ABS	
16	0122497	NIPPLE	2	ABS	
17	0113391	COUPLING PACKING	2	NBR	
18	0127123	STRAINER SET	1	PP	
19	0120086	HOSE BAND	3	φ 60	
20	0123378	NAME PLATE for BAA	1		
20	0123706	NAME PLATE for BAC	1		
21	0123213	O-RING 1517-42.5	1	1517-42.5 NBR	
22	0112792	O-RING	1	P54 NBR	
23	743119045	BOLT	3	M8 × 20 SWRM	
24	743119047	BOLT	4	M8 × 25 SWRM	
25	743119053	BOLT	4	M8 × 40 SWRM	
26	743119046	BOLT	4	M8 × 22 SWRM	
27	827419008	NUT	4	M8 SWRM	
28	734532076	SOCKET BOLT	4	M8 × 60 SCM	

◆ Bare engine can not be supplied



DWG No.012948703 / 013859401 MODELE : SEH-50P FORM : SEH-50P-BAA-0 / BAC-0

No.	PARTS CODE	PARTS NAME	QTY	MATERIAL/SIZE	REMARKS
29	854255008	SEAL WASHER	4	φ 8	
30	0122307	SE SIDE PANEL LABEL	1		

◆ Bare engine can not be supplied