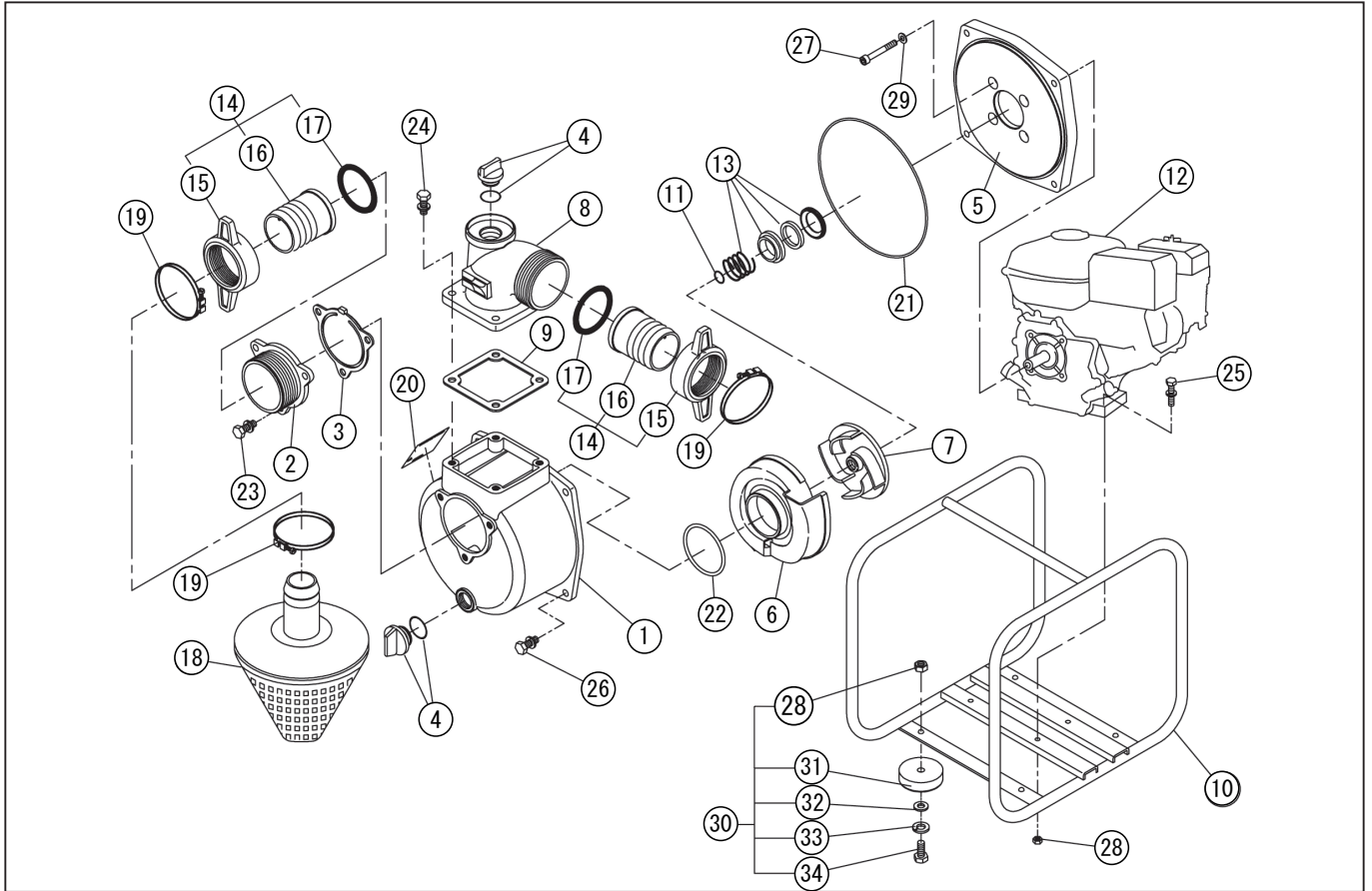


DWG No.011960117 MODEL : SEH-50X FORM : SEH-50X-BBB-7

No.	PARTS CODE	PARTS NAME	QTY	MATERIAL/SIZE	REMARKS
1	0120195	PUMP CASING	1	ADC	
2	0112662	SUCTION FLANGE	1	ADC	
3	0112665	CHECK VALVE	1	NBR	
4	0118078	20A PLUG SET	2		
5	0112579	FLANGE BRACKET	1	ADC	
6	0120933	VOLUTE CASING	1	FC200	
7	0120962	IMPELLER	1	FC200	
8	0110556	DELIVERY FLANGE	1	H=0.63 S=0.38	
9	0110541	DELIVERY FLANGE PACKING	1	CR 70°	
10	0128238	BASE SET	1		
11	0110466	IMPELLER ADJUSTING WASHER	3	BSP T=0.3	
12	0114345	ENGINE	1	HONDA GX120UT2WKT2	
13	0110688	MECHANICAL SEAL	1	CARBON CERAMIC φ 18	
14	0117026	COUPLING SET	2	ABS	
15	0113390	COUPLING	2	ABS	
16	0110356	HOSE NIPPLE	2	ABS	
17	0113391	COUPLING PACKING	2	NBR	
18	0118159	STRAINER SET	1	PP	
19	940019060	HOSE BAND	3	φ 60	
20	0114833	NAME PLATE	1	TFILM	
21	0115014	O-RING	1	1517-42.5 NBR	
22	0112792	O-RING	1	P54 NBR	
23	743119045	HEXAGON BOLT	3	M 8 × 2 0 SWRM	
24	743119047	HEXAGON BOLT	4	M 8 × 2 5 SWRM	
25	743119051	HEXAGON BOLT	4	M 8 × 3 5 SWRM	
26	743119046	HEXAGON BOLT	4	M 8 × 2 2 SWRM	
27	734532076	HEXAGON SOCKET BOLT	4	M8×60 SCM CS	
28	827419008	HEXAGON NUT	8	M8 SWRM	
29	854255008	SEAL WASHER	4	φ 8	
30	0117345	CUSHION LUBBER SET	1		



DWG No.011960117 MODEL : SEH-50X FORM : SEH-50X-BBB-7

No.	PARTS CODE	PARTS NAME	QTY	MATERIAL/SIZE	REMARKS
31	0110515	CUSHION LUBBER	4	F-23	
32	846007008	WASHER	4	φ 8 3	
33	843822008	SPRING WASHER	4	φ 8	
34	735719148	HEXAGON BOLT	4	M8×20	
	0114595	PACKING CASE	1		

◆ Bare engine can not be supplied