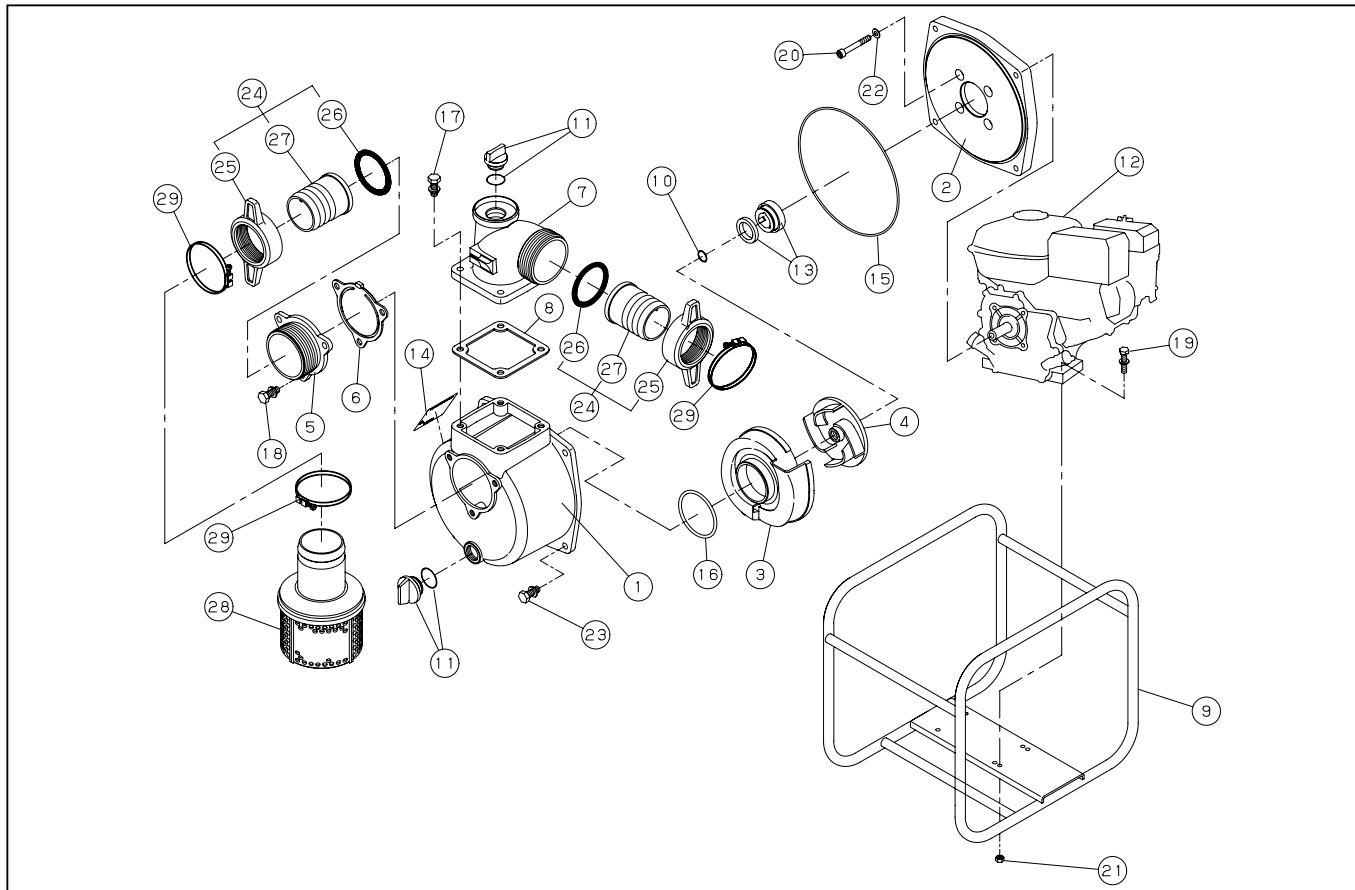


# SEH-50X

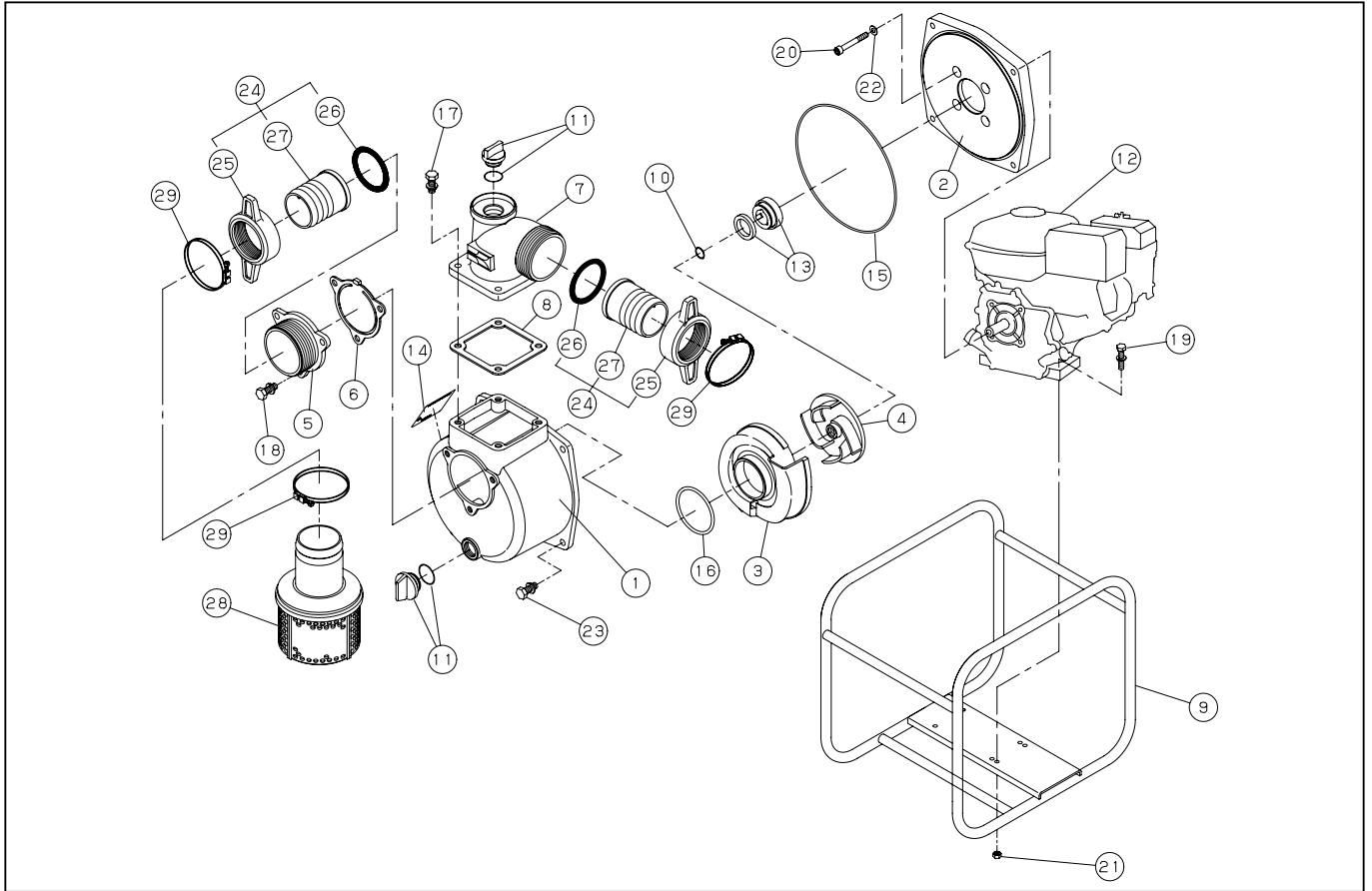


DWG No.066850302 MODEL:SEH-50X (G200-WBD) FORM:SEH-50X-BCS-2

No.	PARTS CODE	PARTS NAME	QTY	MATERIAL	SIZE	REMARKS
1	011257802	PUMP CASING	1	ADC		
2	011526802	FLANGE BRACKET	1	ADC		
3	011464001	VOLUTE CASING	1	FC-20		
4	011527001	IMPELLER	1	FC20		
5	011266203	SUCTION FLANGE	1	ADC		
6	011266501	CHECK VALVE	1	NBR		
7	011055604	DELIVERY FLANGE	1			
8	011054102	DELIVERY FLANGE PACKING	1	CR		
9	011710203	BASE SET	1		NO.323	
10	011551001	IMPELLER ADJUSTING WASHER	3	BSP		
11	011807802	20A PLUG SET	2			
12	011664201	ENGINE	1	HONDA G200-WBD		
13	011409001	MECHANICAL SEAL	1	EH790-020		
14	011552403	NAME PLATE	1			
15	011501401	O-RING	1	NBR	1517-42.5	
16	011279201	O-RING	1	NBR	P54	
17	743119047	HEXAGON BOLT	4	SWRM	M8X25	
18	743119045	HEXAGON BOLT	3	SWRM	M8X20	
19	743119053	HEXAGON BOLT	4	SWRM	M8X40	
20	734532066	HEXAGON SOCKET BOLT	4	SCM	M8X25	
21	827419008	HEXAGON NUT	4	SWRM	M8	
22	854255008	SEAL WASHER	4		φ 8	
23	743119046	HEXAGON BOLT	4	SWRM	M8X22	
24	011702603	COUPLING SET	2	ABS		
25	011339002	COUPLING	2	ABS		
26	011339101	COUPLING PACKING	2	NBR		
27	011035605	HOSE NIPPLE	2	ABS		
28	011815901	STRAINER SET	1	PP		
29	940019060	HOSE BAND	3		φ 60	
	011552503	PACKING CASE	1			

◆ Bare engine can not be supplied

# SEH-50X



DWG No.066850302 MODEL:SEH-50X (G200-WBD) FORM:SEH-50X-BCS-2

No.	PARTS CODE	PARTS NAME	QTY	MATERIAL	SIZE	REMARKS
	011460505	OPERATION MANUAL	1			

◆ Bare engine can not be supplied