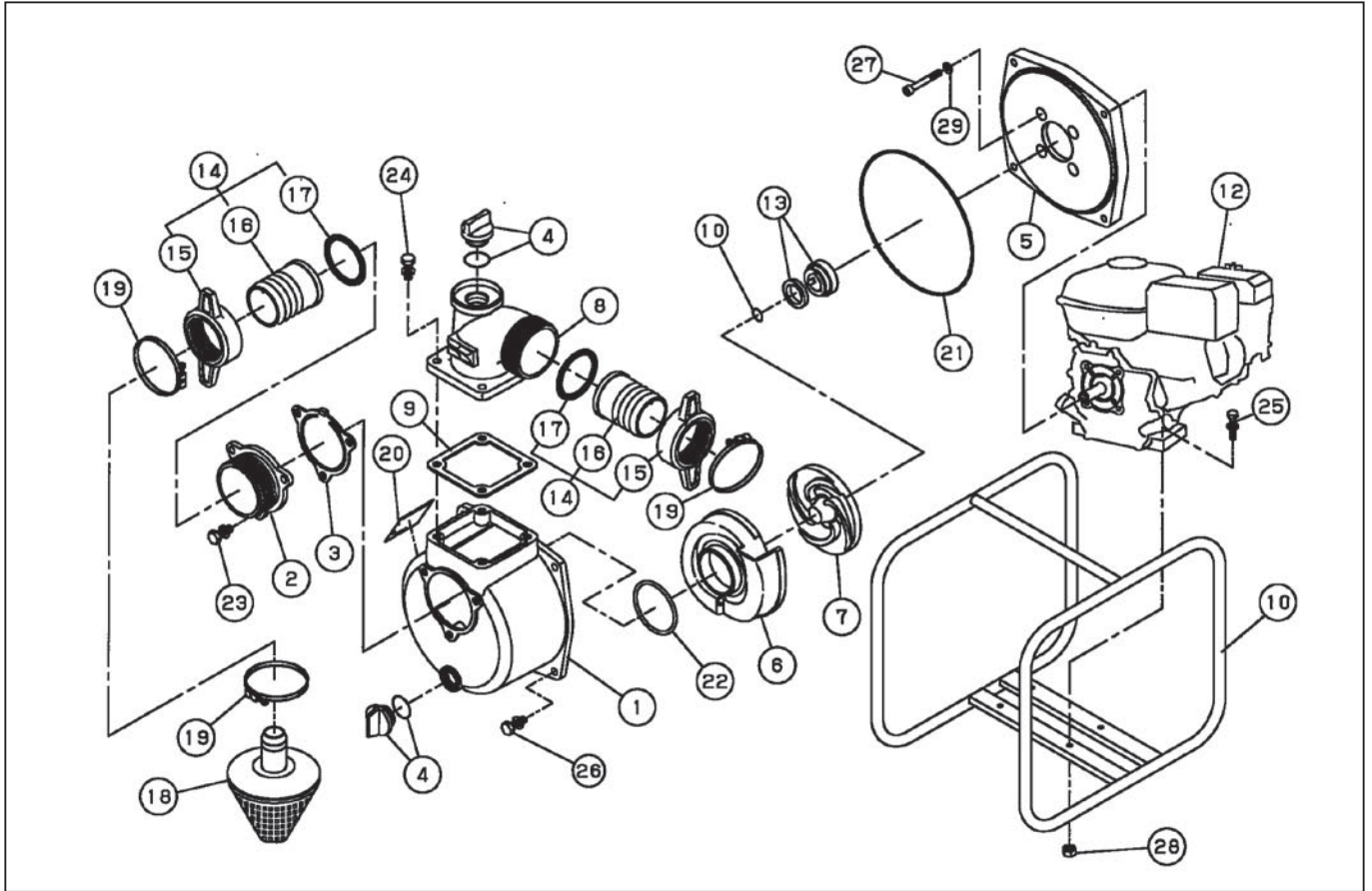


SEH-50X

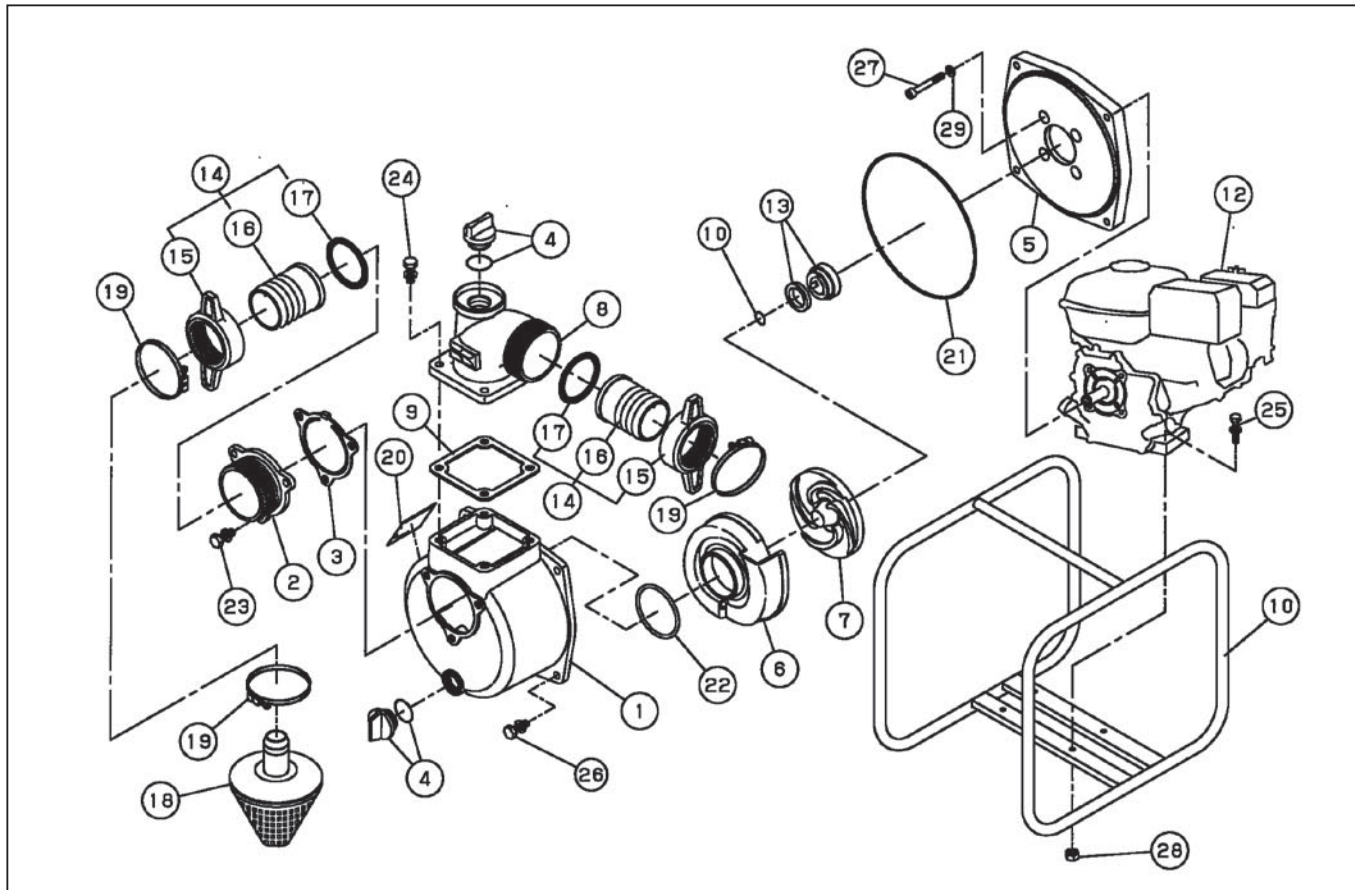


DWG No. 066850909 MODEL:SEH-50X FORM:SEH-50X-BEE-1

No.	PARTS CODE	PARTS NAME	QTY	MATERIAL	SIZE	REMARKS
1	012019501	PUMP CASING	1	ADC	(0112578)	
2	011266203	SUCTION FLANGE	1	ADC		
3	011266501	CHECK VALVE	1	NBR		
4	011807802	20A PLUG SET	2			
5	011526802	FLANGE BRACKET	1	ADC		
6	011464001	VOLUTE CASING	1	FC-20		
7	011661601	IMPELLER	1	FC-20		
8	011462802	DELIVERY FLANGE	1	ADC		
9	011054102	DELIVERY FLANGE PACKING	1	CR		
10	012820201	BASE SET	1			
11	011551001	IMPELLER ADJUSTING WASHER	3	BSP		
12	011666001	ENGINE	1	HONDA GX120K1WBTR8		
13	012006201	MECHANICAL SEAL	1	HJ-20(B)	66BAHT	
14	011702602	COUPLING SET	2	ABS		
15	011339002	COUPLING	2	ABS		
16	011035605	HOSE NIPPLE	2	ABS		
17	011339101	COUPLING PACKING	2	NBR		
18	011815901	STRAINER SET	1	PP		
19	940019060	HOSE BAND	3		φ 60	
20	011668202	NAME PLATE	1			
21	011501401	O-RING	1	NBR	1517-42.5	
22	011279201	O-RING	1	NBR	P54	(SAME AS 889855055)
23	743119045	HEXAGON BOLT	3	SWRM	M8X20	
24	743119046	HEXAGON BOLT	4	SWRM	M8X22	
25	743119047	HEXAGON BOLT	4	SWRM	M8X25	
26	743119051	HEXAGON BOLT	4	SWRM	M8X35	
27	734532066	HEXAGON SOCKET BOLT	4	SCM	M8X25	
28	854255008	SEAL WASHER	4		φ 8	
29	827419008	HEXAGON NUT	4	SWRM	M8	
	012077301	PACKING CASE	1			

◆ Bare engine can not be supplied

# SEH-50X



DWG No. 066850909 MODEL:SEH-50X FORM:SEH-50X-BEE-1

No.	PARTS CODE	PARTS NAME	QTY	MATERIAL	SIZE	REMARKS
	012045801	OPERATION MANUAL	1			
	012045904	SPECIFICATION SHEET	1			

◆ Bare engine can not be supplied