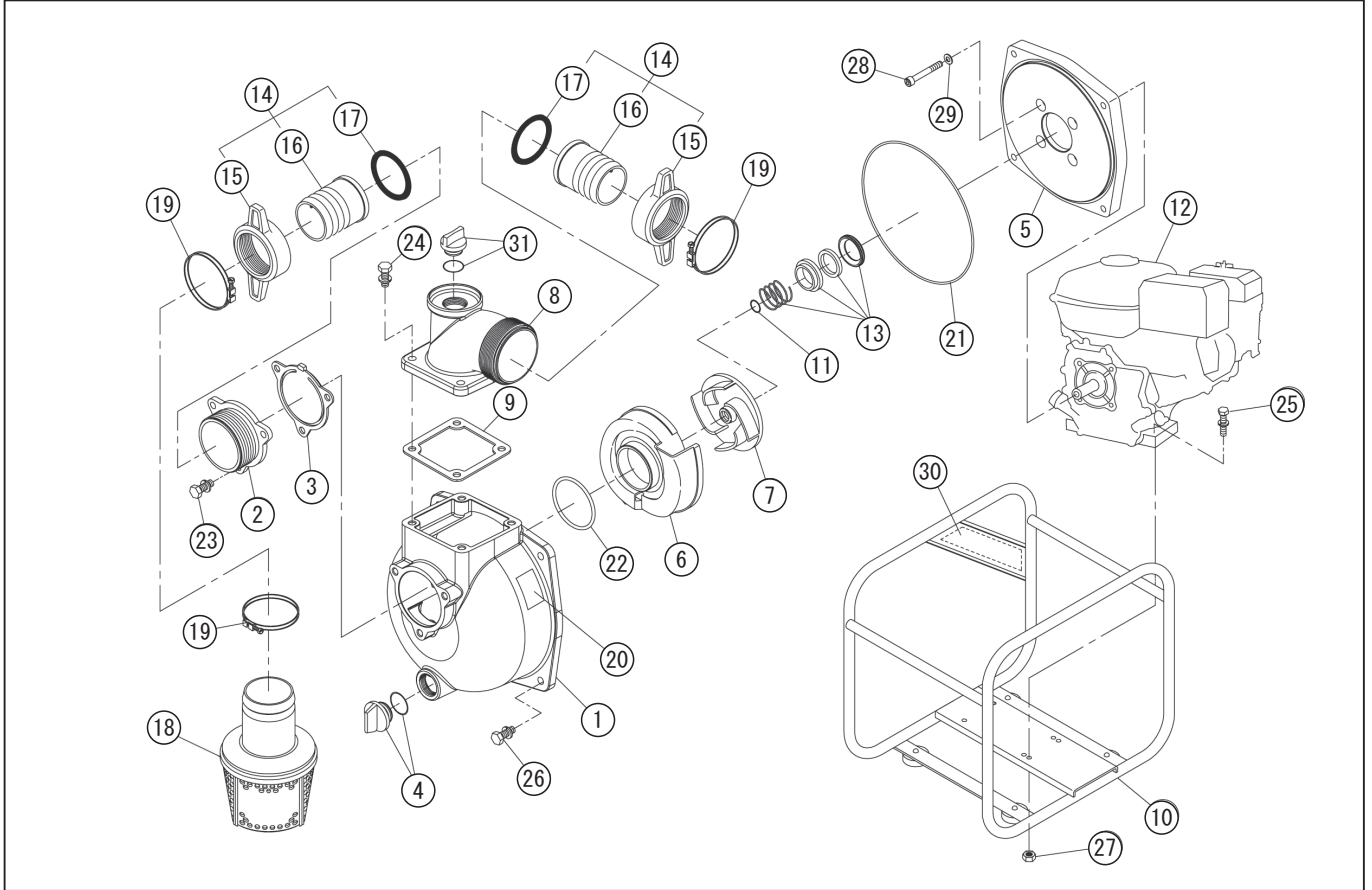


DWG No.012928201 MODEL : SEH-80JP FORM : SEH-80JP-BAA-0

No.	PARTS CODE	PARTS NAME	QTY	MATERIAL/SIZE	REMARKS
1	0122453	SE-80J PUMP CASE (KOSHIN)	1		
2	0112797	SUCTION FRANGE	1	ADC	
3	0112799	CHECK VALVE	1	NBR	
4	0118078	20A PLUG SET	1		
5	0112796	FLANGE BRACKET	1	ADC	
6	0121047	VOLUTE CASING	1	FC200	
7	0121046	IMPELLER	1	FC200	
8	0122224	SE-80J DELIVERY FLANGE NEW	1	ADC	
9	0110584	FLANGE PACKING	1	CR	
10	0117981	BASE SET	1		
11	0110491	IMPELLER ADJUSTING WASHER	3	T0.3	
12	0122186	ENGINE	1	HONDA GP160H WH1	
13	0110664	SE-80L MECHANICAL SEAL	1	φ 20	
14	0127125	COUPLING SET	2	ABS	
15	0122500	COUPLING	2	ABS	
16	0122501	NIPPLE	2	ABS	
17	0114378	COUPLING PACKING	2	NBR.	
18	0127126	STRAINER SET	1	PP	
19	0121066	HOSE BAND	3	φ 90	
20	0122508	NAME PLATE	1		
21	0115015	O-RING 1517-46.5	1	NBR	
22	0113989	O-RING P74	1	NBR	
23	743119061	BOLT	3	SWRM M10X25	
24	743119063	BOLT	4	SWRM M10X30	
25	743119053	BOLT	4	SWRM M8X40	
26	743119061	BOLT	4	SWRM M10X25	
27	734532076	SOCKET BOLT	4	SCM CS M8X60	
28	827419008	NUT	4	SWRM M8	
29	854255008	SEAL WASHER	4	φ 8	
30	0122307	SIDE PANEL LABEL	1	白コート 汎用 #50+PET#16	



DWG No.012928201 MODEL : SEH-80JP FORM : SEH-80JP-BAA-0

No.	PARTS CODE	PARTS NAME	QTY	MATERIAL/SIZE	REMARKS
31	0118079	25A PLUG SET	1		

◆ Bare engine can not be supplied