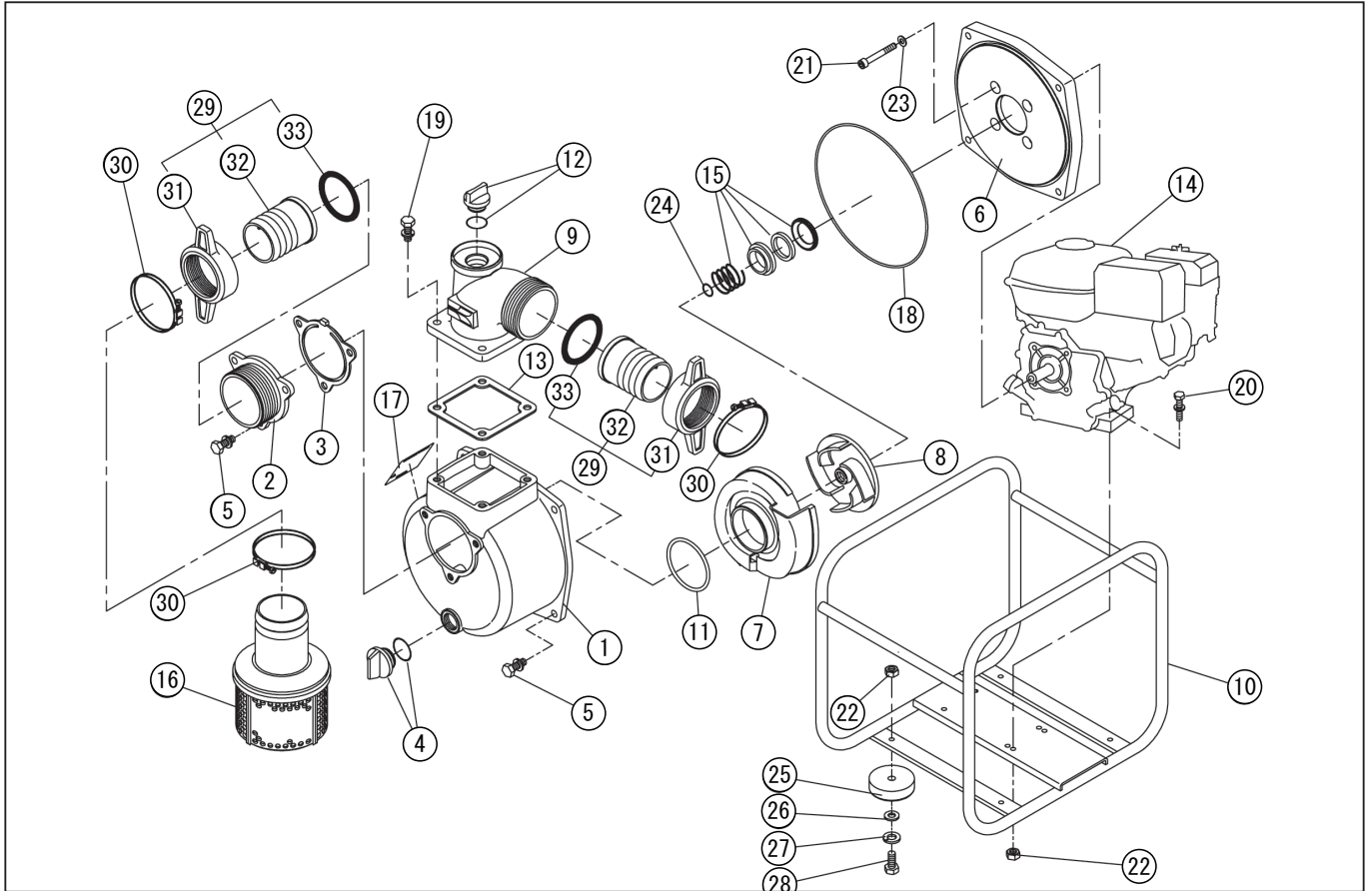


DWG No.011960029 MODEL : SEH-80X FORM : SEH-80X-BAS-11

No.	PARTS CODE	PARTS NAME	QTY	MATERIAL/SIZE	REMARKS
1	0120196	PUMP CASING	1	ADC	
2	0112797	SUCTION FLANGE	1	ADC	
3	0112799	CHECK VALVE	1	NBR	
4	0118078	20A PLUG SET	1		
5	743119061	HEXAGON BOLT	7	M10×25 SWRM	
6	0112796	FLANGE BRACKET	1	ADC	
7	0121047	VOLUTE CASING	1	FC	
8	0121046	IMPELLER	1	FC	
9	0110570	DELIVERY FLANGE	1	ADC	
10	0128245	BASE SET	1		
11	0113989	O-RING	1	P74 NBR	
12	0118079	25A PLUG SET	1		
13	0110584	DELIVERY FLANGE PACKING	1	CR	
14	011430306	ENGINE	1	HONDA GX160UH2-WKT2	
15	0110664	MECHANICAL SEAL	1	φ20	
16	0127126	STRAINER SET	1	PP	
17	011483412	NAME PLATE	1		
18	0115015	O-RING	1	1517-46.5 NBR	
19	743119063	HEXAGON BOLT	4	M10×30 SWRM	
20	743119053	HEXAGON BOLT	4	M8×40 SWRM	
21	734532076	HEXAGON SOCKET BOLT	4	M8×60 SCM CS	
22	827419008	HEXAGON NUT	8	M8 SWRM	
23	854255008	SEAL WASHER	4	φ8	
24	0110491	IMPELLER ADJUSTING WASHER	3	BSP	
25	0110515	CUSHION RUBBER	4	F-23	
26	846007008	WASHER	4	φ8	
27	843822008	SPRING WASHER	4	φ8	
28	735719148	HEXAGON BOLT	4	M8×20	
29	0117028	COUPLING SET	2	ABS	
30	940019090	HOSE BAND	3	φ90	

◆ Bare engine can not be supplied



DWG No.011960029 MODEL : SEH-80X FORM : SEH-80X-BAS-11

No.	PARTS CODE	PARTS NAME	QTY	MATERIAL/SIZE	REMARKS
31	0114375	COUPLING	2	ABS	
32	0110301	HOSE NIPPLE	2	ABS	
33	0114378	COUPLING PACKING	2	NBR	
	0114596	PACKING CASE	1		

◆ Bare engine can not be supplied