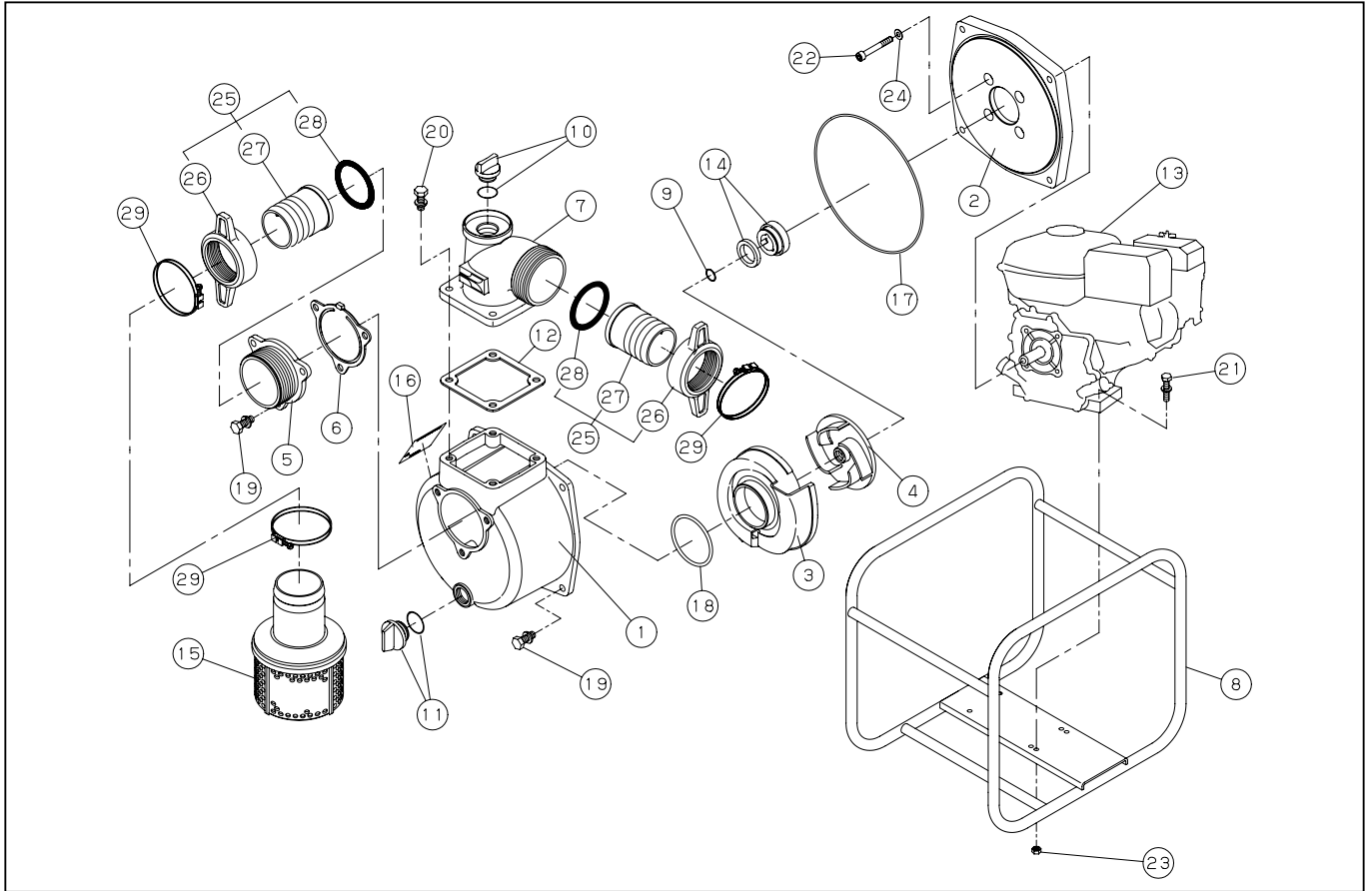


SEH-80X

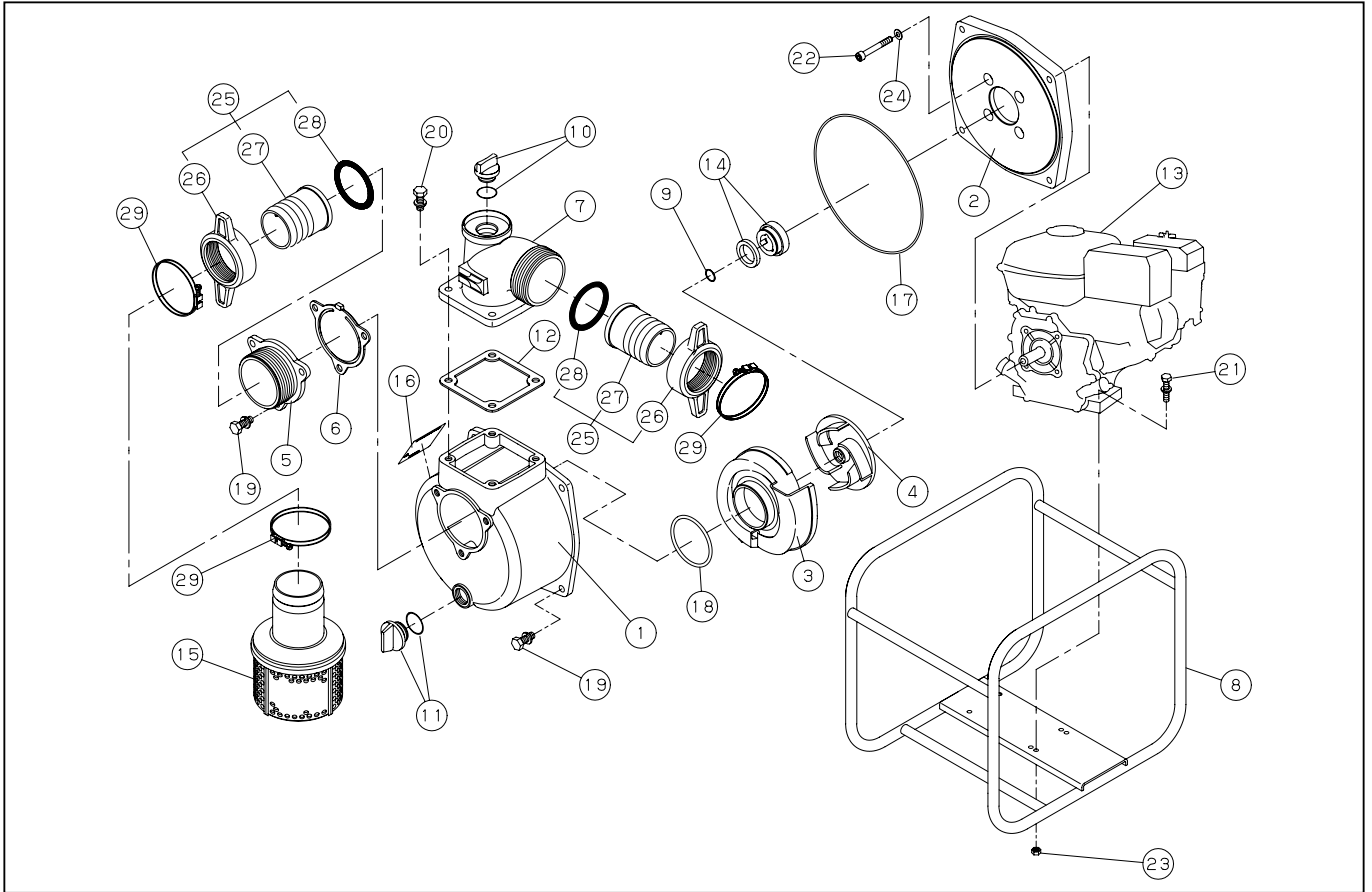


DWG No.066850404 MODEL:SEH-80X (G200-WBD) FORM:SEH-80X-BCE-2

No.	PARTS CODE	PARTS NAME	QTY	MATERIAL	SIZE	REMARKS
1	011279503	PUMP CASING	1	ADC		
2	011526902	FLANGE BRACKET	1	ADC		
3	011437902	VOLUTE CASING	1	FC		
4	011571801	IMPELLER	1	FC		
5	011279701	SUCTION FLANGE	1	ADC		
6	011279901	CHECK VALVE	1	NBR		
7	011057003	DELIVERY FLANGE	1	ADC		
8	011718803	BASE SET	1			
9	011551001	IMPELLER ADJUSTING WASHER	3	BSP		
10	011807901	25A PLUG SET	1			
11	011807802	20A PLUG SET	1			
12	011058402	DELIVERY FLANGE PACKING	1	CR		
13	011664201	ENGINE	1	HONDA G200-WBD		
14	011409001	MECHANICAL SEAL	1	EH790-020		
15	011819501	STRAINER SET	1	PP		
16	011557603	NAME PLATE	1			
17	011501501	O-RING	1	NBR	1517-46.5	
18	011398901	O-RING	1	NBR	P74	
19	743119061	HEXAGON BOLT	7	SWRM	M10X25	
20	743119063	HEXAGON BOLT	4	SWRM	M10X30	
21	743119053	HEXAGON BOLT	4	SWRM	M8X40	
22	734532066	HEXAGON SOCKET BOLT	4	SCM	M8X25	
23	827419008	HEXAGON NUT	4	SWRM	M8	
24	854255008	SEAL WASHER	4		φ 8	
25	011702802	COUPLING SET	2	ABS		
26	011437502	COUPLING	2	ABS		
27	011030105	HOSE NIPPLE	2	ABS		
28	011437801	COUPLING PACKING	2	NBR		
29	940019090	HOSE BAND	3		φ 90	
	011557703	PACKING CASE	1			

◆ Bare engine can not be supplied

SEH-80X



DWG No.066850404 MODEL:SEH-80X (G200-WBD) FORM:SEH-80X-BCE-2

No.	PARTS CODE	PARTS NAME	QTY	MATERIAL	SIZE	REMARKS
	011460505	OPERATION MANUAL	1			

◆ Bare engine can not be supplied