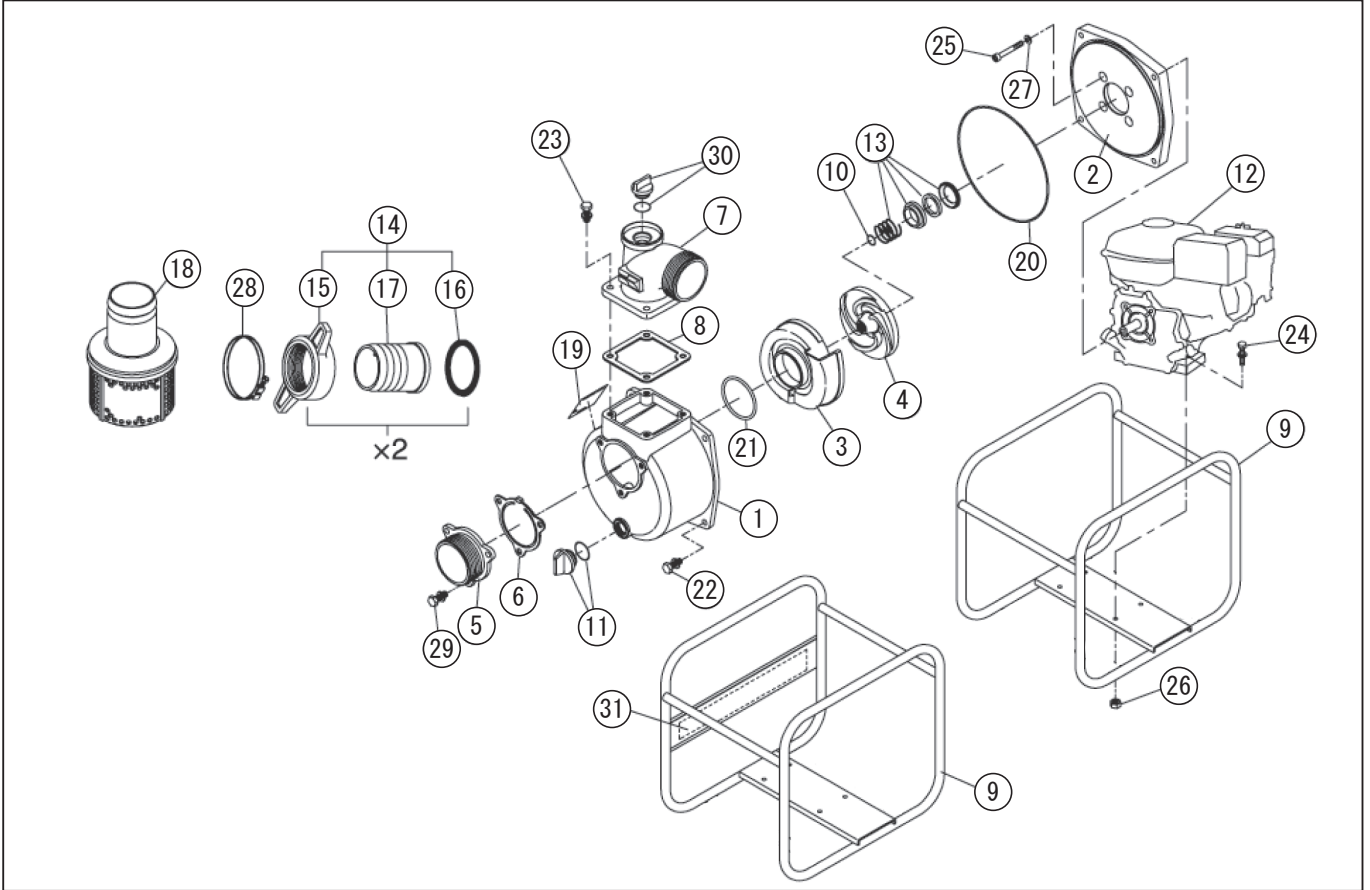


DWG No.066861501 MODEL : SEH-80X FORM : SEH-80X-BEW

| No. | PARTS CODE | PARTS NAME | QTY | MATERIAL/SIZE | REMARKS |
|-----|------------|---------------------|-----|------------------|---------|
| 1 | 0120196 | PUMP CASING | 1 | ADC | |
| 2 | 0115269 | FLANGE BRACKET | 1 | ADC | |
| 3 | 0121047 | VOLUTE CASING | 1 | FC | |
| 4 | 0116617 | IMPELLER | 1 | FC | |
| 5 | 0112797 | SUCTION FLANGE | 1 | ADC | |
| 6 | 0112799 | CHECK VALVE | 1 | NBR | |
| 7 | 0110570 | DELIVERY FLANGE | 1 | ADC MARK | |
| 8 | 0110584 | FLANGE PACKING | 1 | CR | |
| 9 | 0128205 | BASE SET | 1 | BLACK | |
| 9 | 0128208 | BASE SET | 1 | ORANGE | |
| 9 | 0128301 | BASE SET | 1 | SIDE PANEL | |
| 10 | 0115510 | ADJUSTING WASHER | 3 | BSP | |
| 11 | 0118078 | 20A PLUG SET | 1 | | |
| 12 | ----- | ENGINE | 1 | HONDA GX160UK1WB | |
| 13 | 0120062 | MECHANICAL SEAL | 1 | HJ-20(B) 66BAHT | |
| 14 | 0117028 | COUPLING SET | 2 | ABS | |
| 15 | 0114375 | COUPLING | 2 | ABS | |
| 16 | 0114378 | COUPLING PACKING | 2 | NBR | |
| 17 | 0110301 | NIPPLE | 2 | ABS | |
| 18 | 0118195 | STRAINER SET | 1 | PP | |
| 19 | ----- | NAME PLATE | 1 | NO.2 | |
| 20 | 0115015 | O-RING | 1 | 1517-46.5 NBR | |
| 21 | 0113989 | O-RING | 1 | P74 NBR | |
| 22 | 743119061 | HEXAGON BOLT | 4 | M10X25 SWRM | |
| 23 | 743119063 | HEXAGON BOLT | 4 | M10X30 SWRM | |
| 24 | 743119053 | HEXAGON BOLT | 4 | M8X40 SWRM | |
| 25 | 734532066 | HEXAGON SOCKET BOLT | 4 | M8X25 SCM | |
| 26 | 827419008 | NUT | 4 | M8 SWRM | |
| 27 | 854255008 | SEAL WASHER | 4 | φ 8 | |
| 28 | 940019090 | HOSE BAND | 3 | φ 90 | |

◆ Bare engine can not be supplied



DWG No.066861501 MODEL : SEH-80X FORM : SEH-80X-BEW

| No. | PARTS CODE | PARTS NAME | QTY | MATERIAL/SIZE | REMARKS |
|-----|------------|------------------|-----|---------------|---------|
| 29 | 743119061 | BOLT | 3 | M10X25 SWRM | |
| 30 | 0118079 | 25A PLUG SET | 1 | | |
| 31 | 0121219 | SIDE PANEL LABEL | 1 | | |

◆ Bare engine can not be supplied