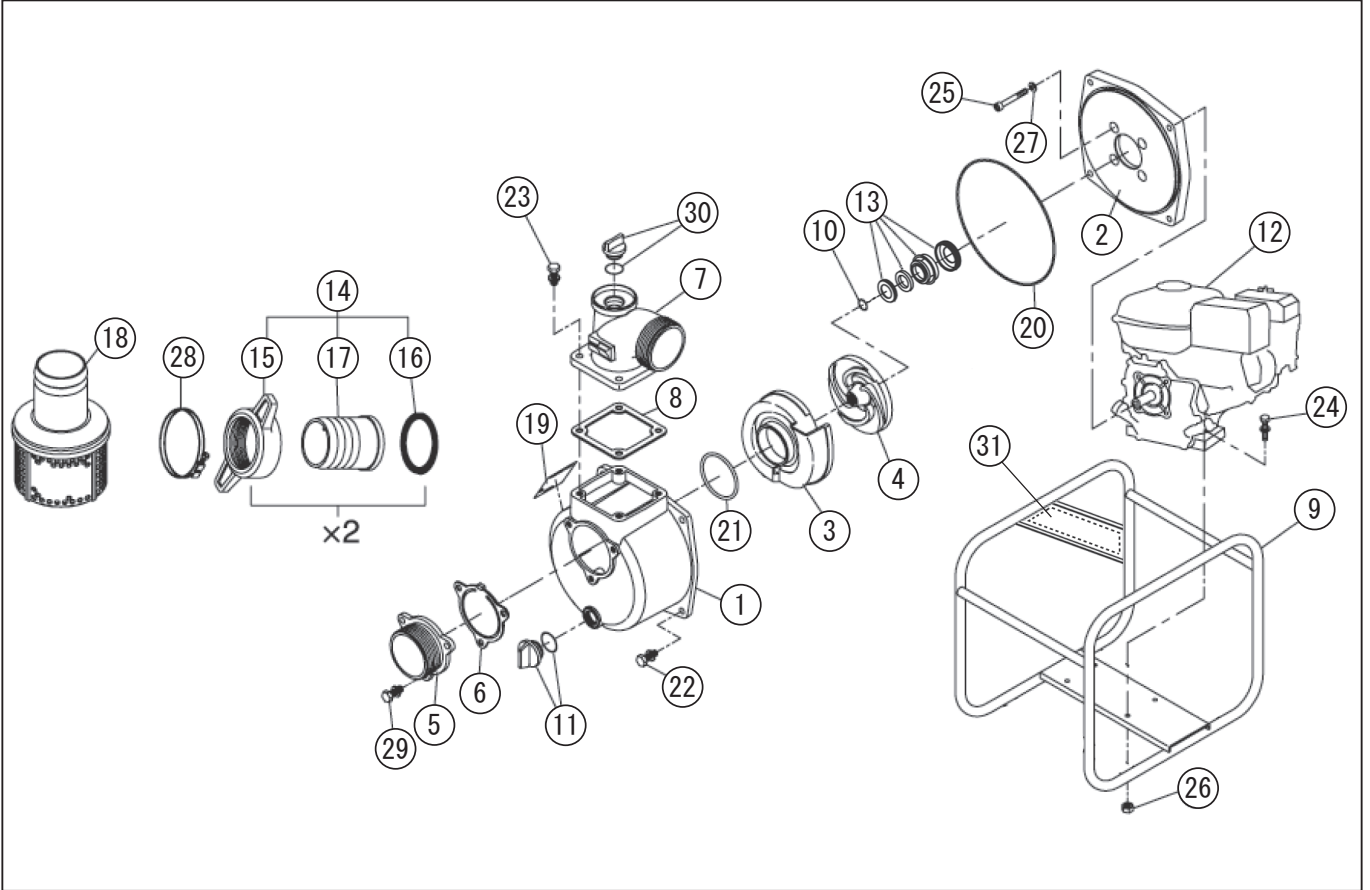


DWG No.066861511 MODEL : SEH-80X FORM : SEH-80X-BEW-3

No.	PARTS CODE	PARTS NAME	QTY	MATERIAL/SIZE	REMARKS
1	0121336	PUMP CASING	1	ADC	
2	0115269	FLANGE BRACKET	1	ADC	
3	0121047	VOLUTE CASING	1	FC	
4	0122321	IMPELLER	1	FC	
5	0112797	SUCTION FLANGE	1	ADC	
6	0112799	CHECK VALVE	1	NBR	
7	0110570	DELIVERY FLANGE	1	ADC MARK	
8	0110584	FLANGE PACKING	1	CR	
9	0128301	BASE SET	1	BLACK	
10	0115510	ADJUSTING WASHER	3	BSP	
11	0118078	20A PLUG SET	1		
12	-----	ENGINE	1	HONDA GX160T2 WBT	
13	0114090	MECHANICAL SEAL	1	HJ-20(B) 66BAHT	
14	0117028	COUPLING SET	2	ABS	
15	0114375	COUPLING	2	ABS	
16	0114378	COUPLING PACKING	2	NBR	
17	0110301	NIPPLE	2	ABS	
18	0118195	STRAINER SET	1	PP	
19	-----	NAME PLATE	1	NO.2	
20	0115015	O-RING	1	1517-46.5 NBR	
21	0113989	O-RING	1	P74 NBR	
22	743119061	HEXAGON BOLT	4	M10X25 SWRM	
23	743119063	HEXAGON BOLT	4	M10X30 SWRM	
24	743119053	HEXAGON BOLT	4	M8X40 SWRM	
25	734532066	HEXAGON SOCKET BOLT	4	M8X25 SCM	
26	827419008	NUT	4	M8 SWRM	
27	854255008	SEAL WASHER	4	φ8	
28	940019090	HOSE BAND	3	φ90	
29	743119061	BOLT	3	M10X25 SWRM	
30	0118079	25A PLUG SET	1		

◆ Bare engine can not be supplied



DWG No.066861511 MODEL : SEH-80X FORM : SEH-80X-BEW-3

No.	PARTS CODE	PARTS NAME	QTY	MATERIAL/SIZE	REMARKS
31	0122714	SIDE PANEL LABEL	1		

◆ Bare engine can not be supplied