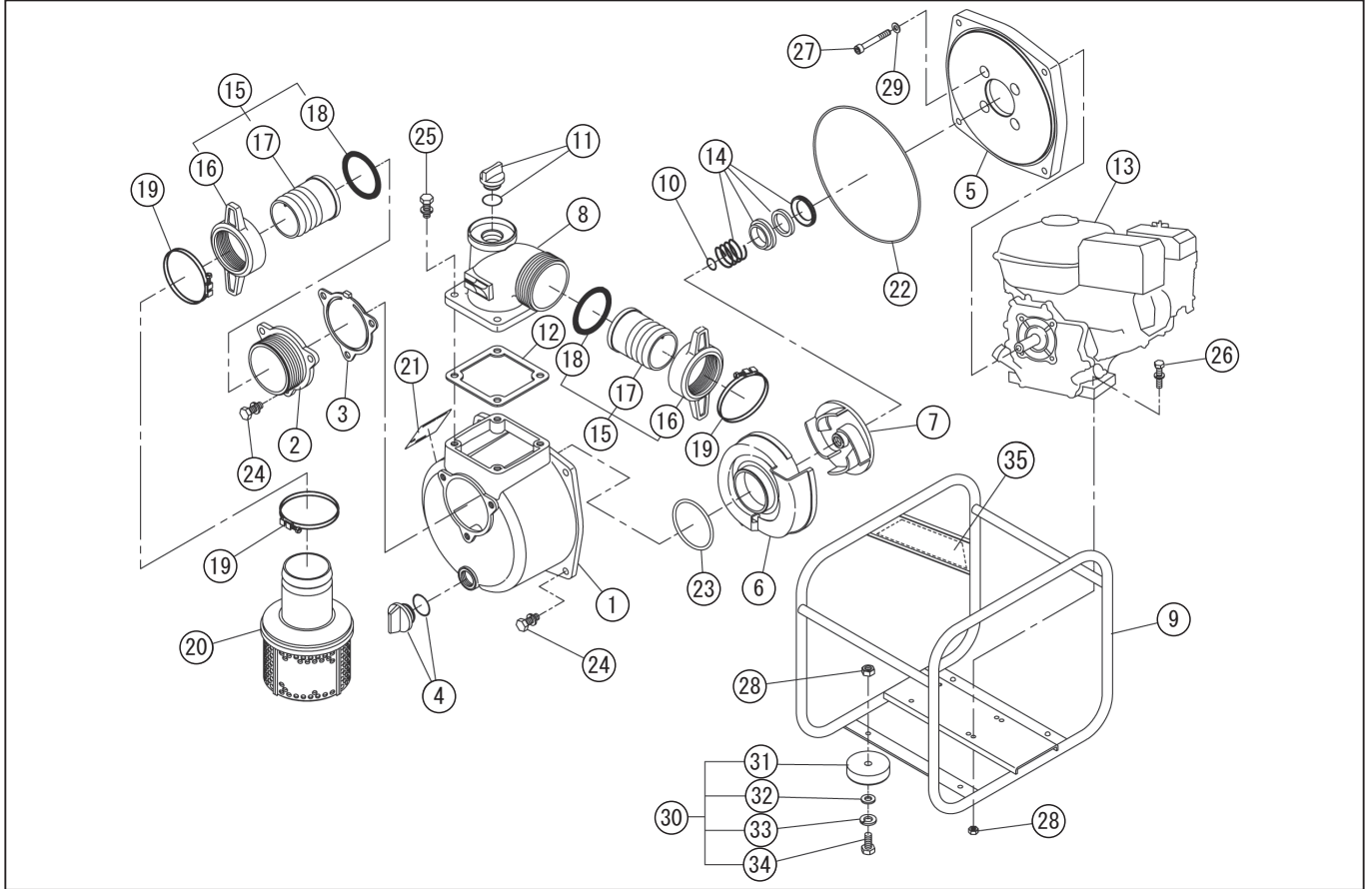


DWG No.012924203 MODEL : SEH-80X FORM : SEH-80X-BFH-1

No.	PARTS CODE	PARTS NAME	QTY	MATERIAL/SIZE	REMARKS
1	0120196	PUMP CASING	1	ADC	
2	0112797	SUCTION FLANGE	1	ADC	
3	0112799	CHECK VALVE	1	NBR	
4	0118078	20A PLUG SET	1		
5	0112796	FLANGE BRACKET	1	ADC	
6	0121047	VOLUTE CASING	1	FC200	
7	0121046	IMPELLER	1	FC200	
8	0110570	DELIVERY FLANGE	1	ADC	
9	0128245	BASE SET	1	BLACK	
10	0110491	IMPELLER ADJUSTING WASHER	3	BSP1 T.0.3	
11	0118079	25A PLUG SET	1		
12	0110584	DELIVERY FLANGE PACKING	1	CR	
13	-	ENGINE	1	HONDA GX160	
14	0110664	MECHANICAL SEAL	1	φ 20	
15	0117028	COUPLING SET	2	ABS	
16	0114375	COUPLING	2	ABS	
17	0110301	HOSE NIPPLE	2	ABS	
18	0114378	COUPLING PACKING	2	NBR.HS65±5	
19	940019090	HOSE BAND	3	φ 90	
20	0118195	STRAINER SET	1	PP	
21	0122197	NAME PLATE	1		
22	0115015	O-RING	1	1517-46.5 NBR	
23	0113989	O-RING	1	P74 NBR	
24	743119061	HEXAGON BOLT	7	M10×25 SWRM	
25	743119063	HEXAGON BOLT	4	M10×30 SWRM	
26	743119053	HEXAGON BOLT	4	M8×40 SWRM	
27	734532076	HEXAGON SOCKET BOLT	4	M8×60 SCM CS	
28	827419008	HEXAGON NUT	8	M8 SWRM	
29	854255008	SEAL WASHER	4	φ 8	
30	0117345	50L CUSHION RUBBER SET	1		

◆ Bare engine can not be supplied



DWG No.012924203 MODEL : SEH-80X FORM : SEH-80X-BFH-1

No.	PARTS CODE	PARTS NAME	QTY	MATERIAL/SIZE	REMARKS
31	0110515	CUSHION RUBBER	4	F-23	
32	846007008	WASHER	4	φ 8	
33	843822008	SPRING WASHER	4	φ 8	
34	735719148	HEXAGON BOLT	4	M8×20	
35	0122307	SIDE PANEL LABEL	1		
	0113460	PACKING CASE	1		

◆ Bare engine can not be supplied