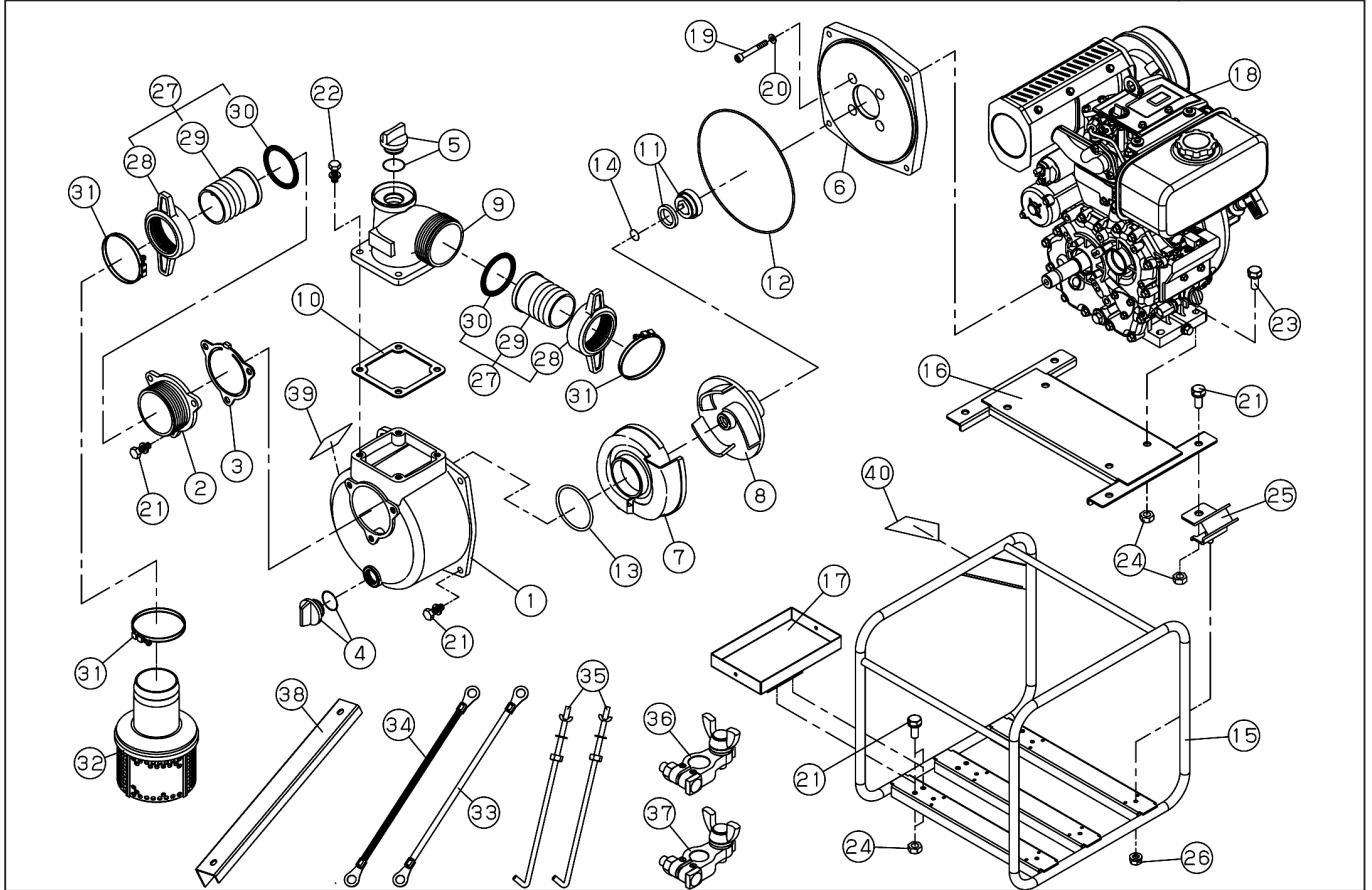


DWG No.013855701 MODELE:SEK-80D FORM:SEK-80D-BAA-0

| No. | PARTS CODE | PARTS NAME | QTY | MATERIAL/SIZE | REMARKS |
|-----|------------|------------------|-----|---------------|---------|
| 1 | 0120196 | PUMP CASING | 1 | ADC | |
| 2 | 0112797 | SUCTION FLANGE | 1 | ADC | |
| 3 | 0112799 | CHECK VALVE | 1 | NBR | |
| 4 | 0118078 | 20A PLUG SET | 1 | | |
| 5 | 0118079 | 25A PLUG SET | 1 | | |
| 6 | 0123545 | FRANGE BRACKET | 1 | ADC | |
| 7 | 0121047 | VOLUTE CASING | 1 | FC | |
| 8 | 0123546 | IMPELLER | 1 | FC | |
| 9 | 0110570 | DELIVERY FLANGE | 1 | ADC | |
| 10 | 0110584 | FLANGE PACKING | 1 | CR | |
| 11 | 0115678 | MECHANICAL SEAL | 1 | HJ-25(B)BSIC | |
| 12 | 0123214 | O-RING | 1 | NBR | |
| 13 | 0113989 | O-RING | 1 | NBR | |
| 14 | 0110561 | ADJUSTING WASHER | 3 | BSP | |
| 15 | 0127401 | BASE ASSY | 1 | | |
| 16 | 0127403 | DAMPING BASE | 1 | SPHC | |
| 17 | 0127407 | BATTERY TRAY | 1 | SPHC | |
| 18 | 0123547 | DIESEL ENGINE | 1 | KUBOTA OC60 | |
| 19 | 734532076 | SOCKET BOLT | 4 | M8×60 SCM | |
| 20 | 854255008 | SEAL WASHER | 4 | φ8 | |
| 21 | 743119061 | BOLT | 13 | M10×25 SWRM | |
| 22 | 743119063 | BOLT | 4 | M10×30 SWRM | |
| 23 | 743119067 | BOLT | 4 | M10×40 SWRM | |
| 24 | 827419010 | NUT | 10 | M10 SWRM | |
| 25 | 0116172 | CUSHION RUBBER | 4 | CR 60° | |
| 26 | 842319008 | SPRING NUT | 4 | SWRM | |
| 27 | 0127125 | COUPLING SET | 2 | ABS | |
| 28 | 0122500 | COUPLING | 2 | ABS | |
| 29 | 0122501 | NIPPLE | 2 | ABS | |
| 30 | 0123216 | COUPLING PACKING | 2 | NBR | |

◆ Bare engine can not be supplied



DWG No.013855701 MODELE:SEK-80D FORM:SEK-80D-BAA-0

| No. | PARTS CODE | PARTS NAME | QTY | MATERIAL/SIZE | REMARKS |
|-----|------------|--------------------|-----|---------------|---------|
| 31 | 0121066 | HOSE BAND | 3 | φ 90 | |
| 32 | 0127126 | STRAINER | 1 | PP | |
| 33 | 0127415 | BATTERY CODE RED | 1 | 500MM | |
| 34 | 0127416 | BATTERY CODE BLACK | 1 | 500MM | |
| 35 | 0123590 | HOOK BOLT | 2 | L=230 | |
| 36 | 0123573 | BATTERY TERMINAL | 1 | (+) | |
| 37 | 0123602 | BATTERY TERMINAL | 1 | (-) | |
| 38 | 0123572 | BATTERY FIXED STAY | 1 | SPHC | |
| 39 | 0123555 | NAME PLATE | 1 | | |
| 40 | 0122307 | SIDE PANEL LABEL | 1 | | |

◆ Bare engine can not be supplied