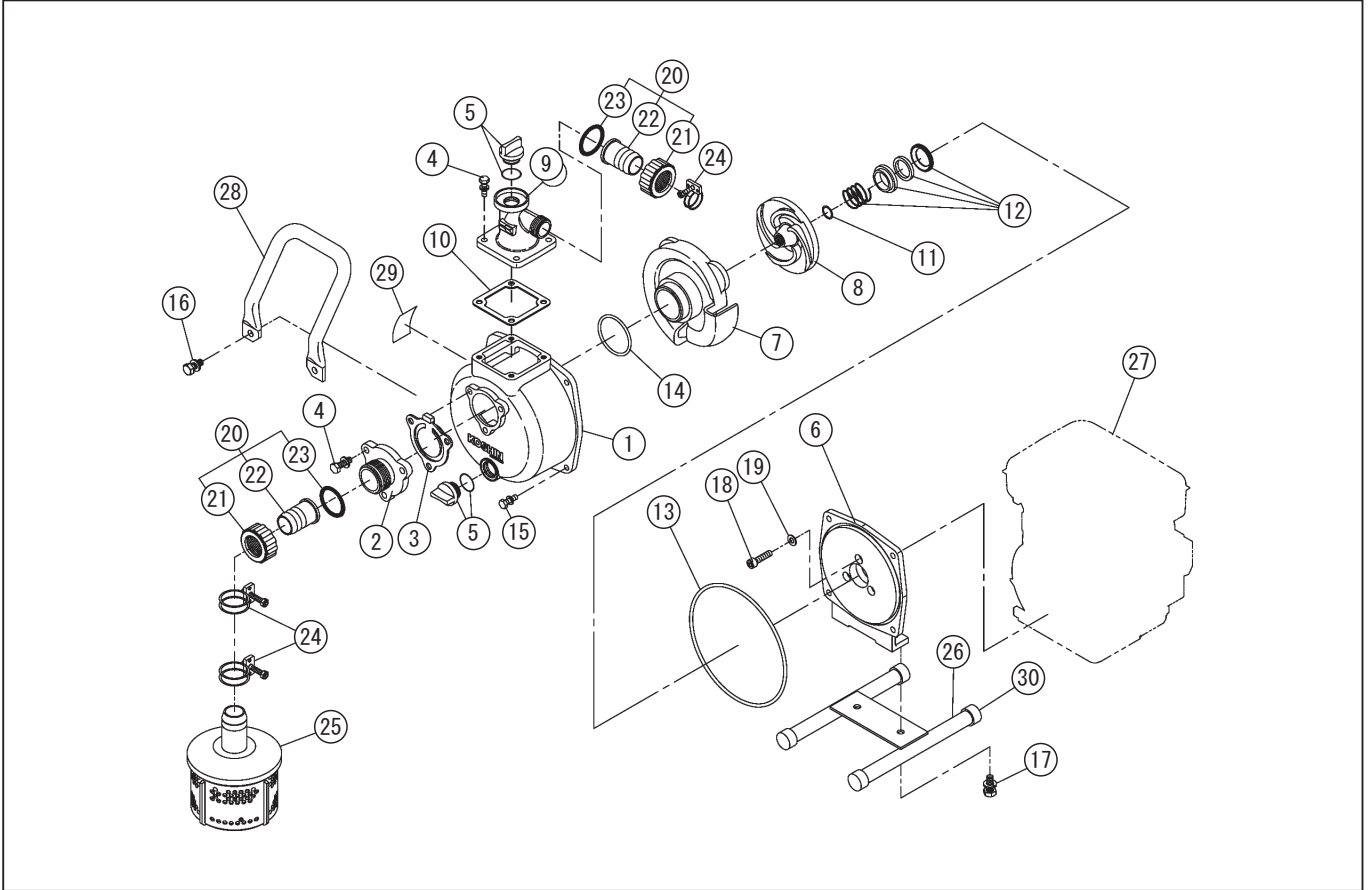


DWG No.012869505 MODELE:SEM-25L FORM:SEM-25L-BAE-2

No.	PARTS CODE	PARTS NAME	QTY	MATERIAL/SIZE	REMARKS
1	0113377	PUMP CASING	1	ADC	
2	0113325	SUCTION FLANGE	1	ADC	
3	0113326	CHECK VALVE	1	NBR	
4	743119032	HEXAGON BOLT	7	M6X20 SWRM	
5	0148010	15A PLUG SET	2		
6	0115987	FLANGE BRACKET	1	ADC	
7	0115986	VOLUTE CASING	1	ADC	
8	0115985	IMPELLER	1	ADC	
9	0110486	IDELIVERY FLANGE	1	ADC	
10	0110487	IDELIVERY FLANGE PACKING	1	CR	
11	0113944	IMPELLER ADJUSTING WASHER	3	BS	
12	0116054	MECHANICAL SEAL	1		
13	890255031	O-RING	1	1517-31 NBR	
14	889855042	O-RING	1	P42 NBR	
15	743119045	HEXAGON BOLT	2	M8X20 SWRM	
16	743119046	HEXAGON BOLT	2	M8X22 SWRM	
17	743119043	HEXAGON BOLT	2	M8X16	
18	734532274	HEXAGON SOCKET BOLT	3	M5X40	
19	854255005	SEAL WASHER	3	φ 5	
20	0348124	COUPLING SET	2		
21	0340781	COUPLING	2	ABS	
22	0340782	HOSE NIPPLE	2	ABS	
23	0340065	COUPLING PACKING	2	CR	
24	940019032	HOSE BAND	3	φ 32	
25	0118193	STRAINER SET	1		
26	0118267	BASE SET	1	BLACK	
27	0116033	ENGINE	1	MITSUBISHI TU26MPD-830	
28	0114277	HANDLE	1		
29	0116236	NAME PLATE	1		
30	0112576	PIPE RUBBER	4	NBR	



DWG No.012869505 MODELE:SEM-25L FORM:SEM-25L-BAE-2

No.	PARTS CODE	PARTS NAME	QTY	MATERIAL/SIZE	REMARKS
	0116063	OPERATION MANUAL	1		
	0116237	PACKING CASE	1		
	0114760	ENGINE CAUTION LABEL C	1		
	0114761	ENGINE CAUTION LABEL D	1		
	0116238	MITSUBISHI LABEL	1		

◆ Bare engine can not be supplied