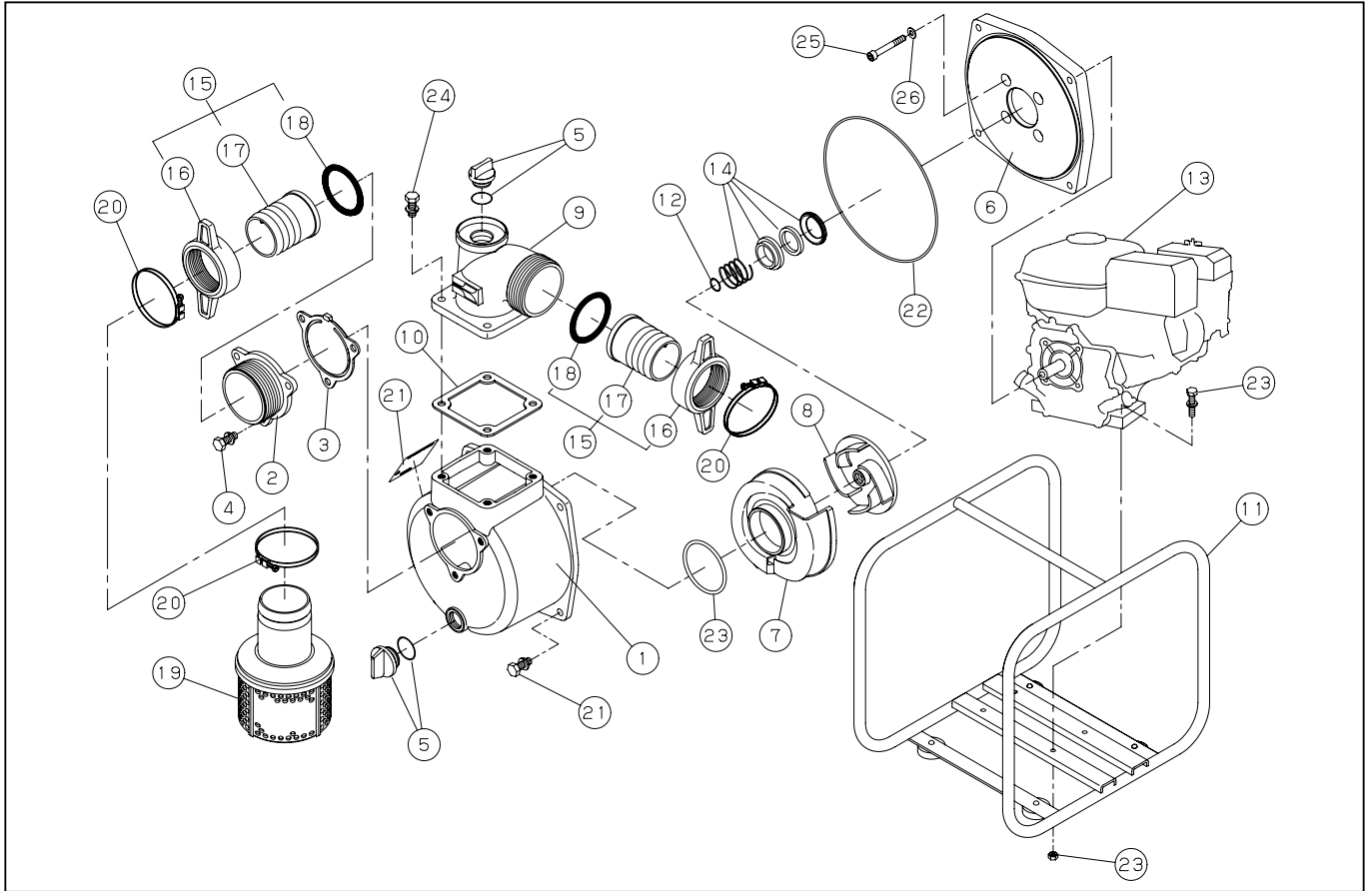


**SEM-40F**

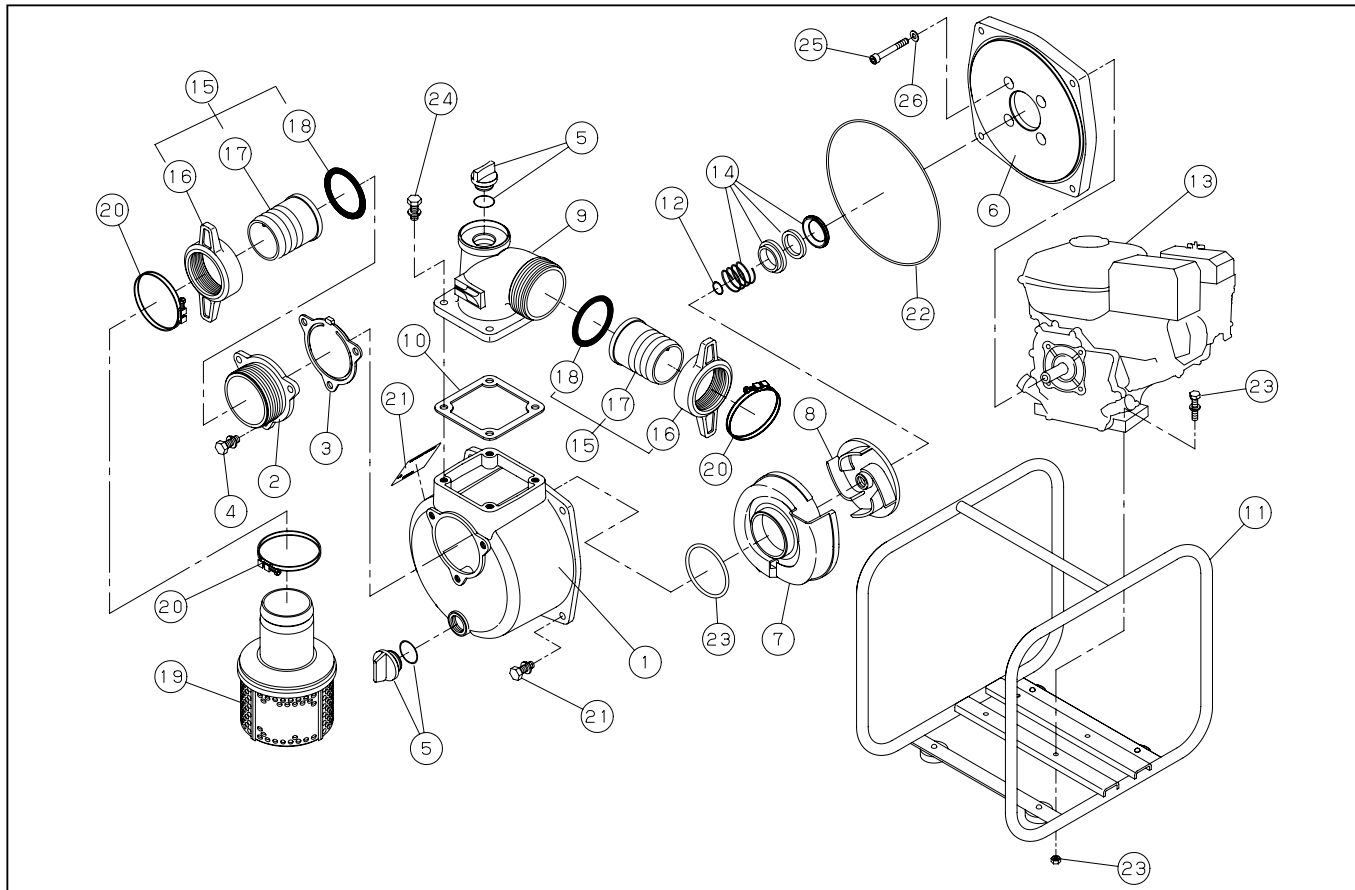


DWG No.011944218 MODEL:SEM-40F (GM82PN) FORM:SEM-40F-BAC-8

No.	PARTS CODE	PARTS NAME	QTY	MATERIAL	SIZE	REMARKS
1	011333001	PUMP CASING	1	ADC		
2	011332701	SUCTION FLANGE	1	ADC		
3	011332801	CHECK VALVE	1	NBR		
4	743119045	HEXAGON BOLT	7	SWRM	M8X20	
5	011807802	20A PLUG SET	2			
6	011057904	FLANGE BRACKET	1	ADC		
7	011422002	VOLUTE CASING	1	FC		
8	011430505	IMPELLER	1	ADC		
9	011057701	DELIVERY FLANGE	1	ADC		
10	011059301	FLANGE PACKING	1	CR		
11	011847901	BASE SET	1			
12	011011401	IMPELLER ADJUSTING WASHER	3	BSP		
13	011532602	ENGINE	1	MTSUBISHI GM82PN-71F		
14	011067301	MECHANICAL SEAL	1	HG9A-MN	φ 15	
15	011721201	COUPLING SET	2	PS SCREW PC+ABS		
16	011498601	COUPLING	2	PC	40mm	
17	011035803	HOSE NIPPLE	2	ABS		
18	011498701	COUPLING PACKING	2	NBR	40mm	
19	011819401	STRAINER SET	1			
20	940019048	HOSE BAND	3		φ 48	
21	011424909	NAME PLATE	1			
22	011501401	O-RING	1	NBR	1517-42.5	
23	889855048	O-RING	1	NBR	P48	
24	743119047	HEXAGON BOLT	8	SWRM	M8X25	
25	734532074	HEXAGON SOCKET BOLT	4	SCM	M8X50	
26	854255008	SEAL WASHER	4		φ 8	
27	827419008	HEXAGON NUT	4	SWRM	M8	
	011425008	PACKING CASE	1			
	011483506	OPERATION MANUAL	1			
	011473401	ENGINE CAUTION LABEL A	1			

◆ Bare engine can not be supplied

# SEM-40F



DWG No.011944218 MODEL:SEM-40F (GM82PN) FORM:SEM-40F-BAC-8

No.	PARTS CODE	PARTS NAME	QTY	MATERIAL	SIZE	REMARKS
	011473501	ENGINE CAUTION LABEL B	1			
	011471806	CE MARK LABEL	1			
	011474102	CAUTION LABEL	1			
	011488404	DECLARATION	1			
	011641101	EU NOISE LABEL	1			

◆ Bare engine can not be supplied