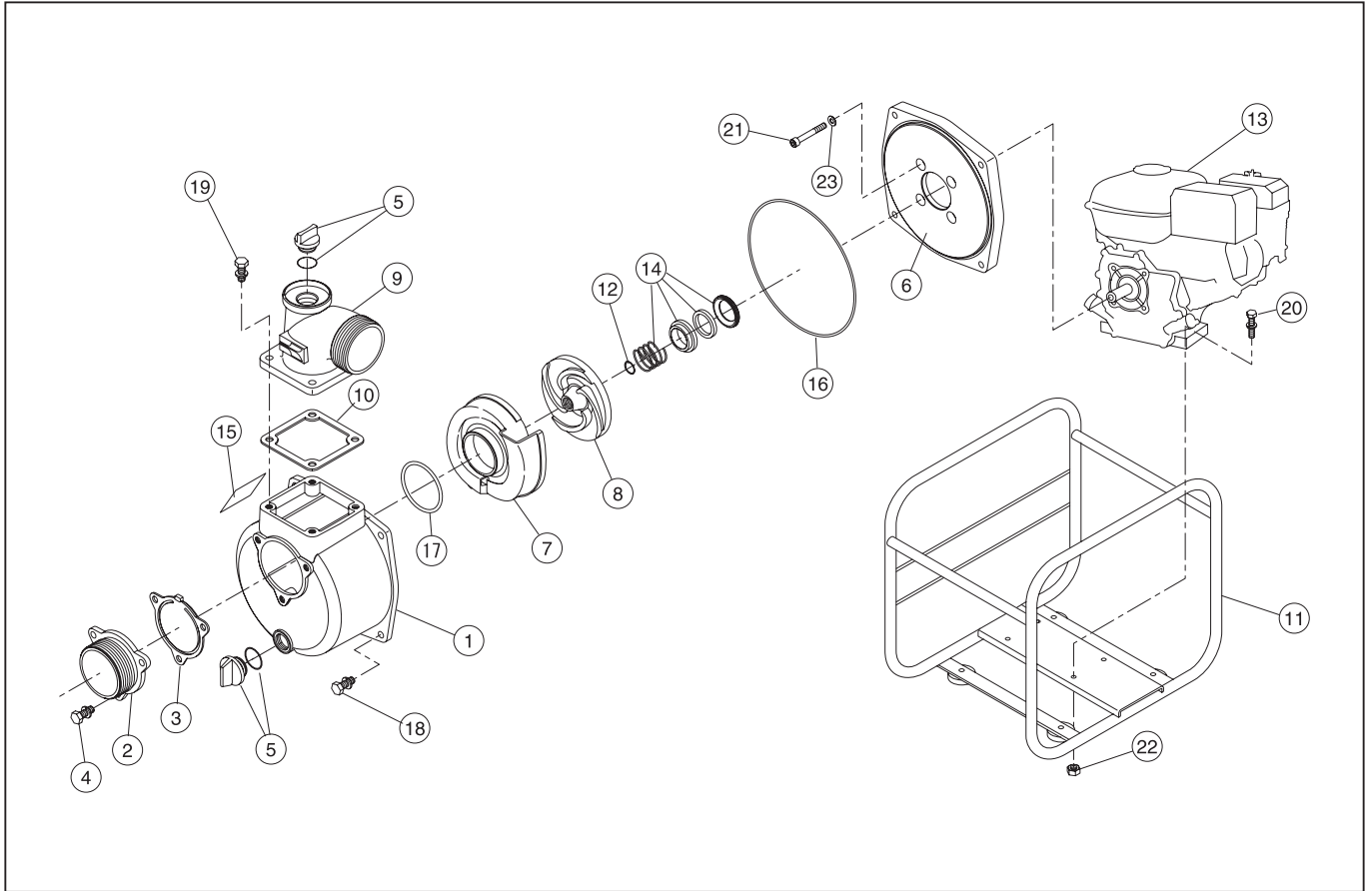


SEM-50V



DWG No.012893102 MODEL:SEM-50V FROM:SEM-50V-BAH

No.	PARTS CODE	PARTS NAME	QTY	MATERIAL	SIZE	REMARKS
1	012019501	Pump Casing	1	ADC	(0112578)	
2	011282201	Suction Flange	1	ADC		
3	011266501	Check Valve	1	NBR		
4	743119045	Bolt M8X20	3	SWRM	M8X20	
5	011807802	20A Plug Set	2			
6	011257905	Flange Bracket	1	ADC		
7	012034101	Volute Casing	1	FC 0114228		
8	012025701	Impeller	1	FC		
9	011135902	Delivery Flange	1			
10	011054102	Flange Packing	1	CR		
11	011793901	Base Set	1	NO.407		
12	011046601	Adjusting Washer	3	BSP		
13	012036201	Engine (With Oil Sensor)	1	MTSUBISHI GM132PN-74D		
14	011068803	Mechanical Seal	1		φ 18	
15	012042501	Name Plate	1	T FILM		
16	011501401	O-Ring 1517-42.5	1	NBR	1517-42.5	
17	011279201	O-Ring P54	1	NBR	P54	
18	743119046	Bolt M8X22	4	SWRM	M8X22	
19	743119047	Bolt M8X25	4	SWRM	M8X25	
20	743119051	Bolt M8X35	4	SWRM	M8X35	
21	734532076	Socket Bolt M8X60	4	SCM	M8X60	
22	827419008	Nut M8	4	SWRM	M8	
23	854255008	Seal Washer φ 8	4		φ 8	

◆ Bare engine can not be supplied