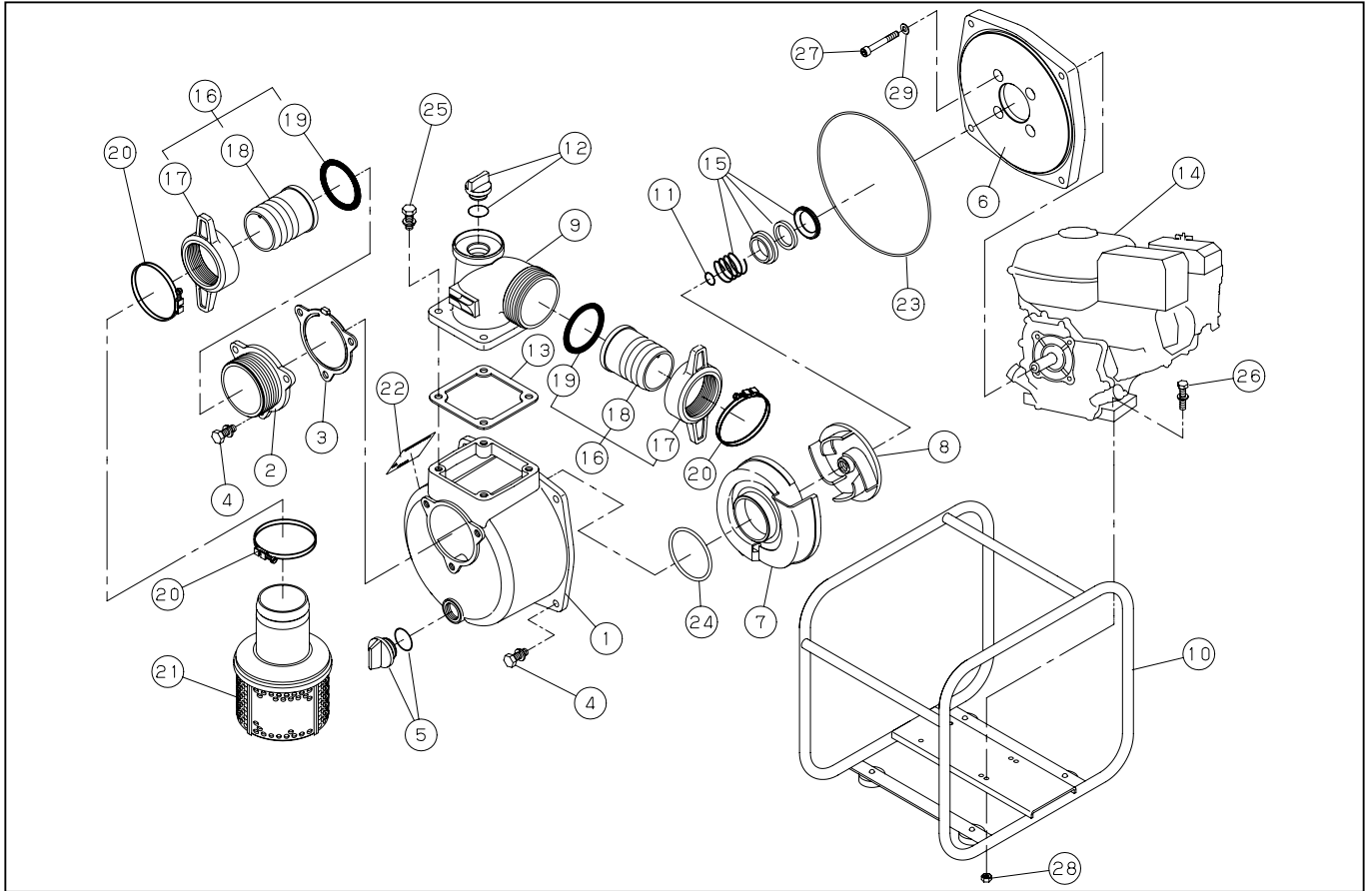


SEM-80X

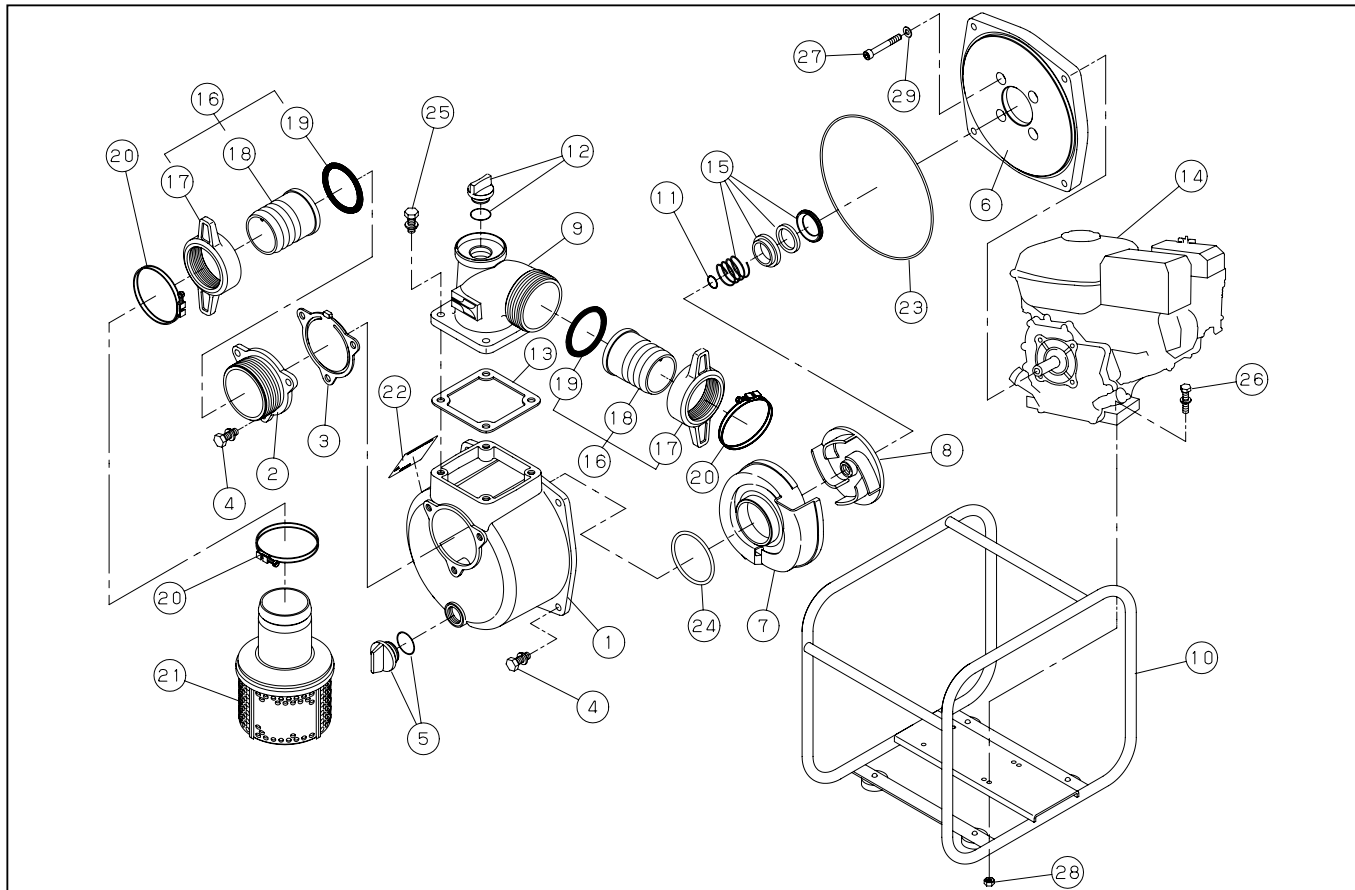


DWG No.011944516 MODEL:SEM-80X (GM182PN) FORM:SEM-80X-BAC-5

No.	PARTS CODE	PARTS NAME	QTY	MATERIAL	SIZE	REMARKS
1	012019601	PUMP CASING	1	ADC		
2	011279701	SUCTION FLANGE	1	ADC		
3	011279901	CHECK VALVE	1	NBR		
4	743119061	HEXAGON BOLT	7	SWRM	M10X25	
5	011807802	20A PLUG SET	1			
6	011279601	FLANGE BRACKET	1	ADC		
7	011437902	VOLUTE CASING	1	FC		
8	011505702	IMPELLER	1	FC		
9	011057003	DELIVERY FLANGE	1	ADC		
10	011732801	BASE SET	1			
11	011049102	IMPELLER ADJUSTING WASHER	3	BSP		
12	011807901	25A PLUG SET	1			
13	011058402	DELIVERY FLANGE PACKING	1	CR		
14	011662001	ENGINE	1	MTSUBISHI GM182PN-719		
15	011066402	MECHANICAL SEAL	1		φ 20	
16	011702802	COUPLING SET	2	ABS		
17	011437502	COUPLING	2	ABS		
18	011030105	HOSE NIPPLE	2	ABS		
19	011437801	COUPLING PACKING	2	NBR		
20	940019090	HOSE BAND	3		φ 90	
21	011819501	STRAINER SET	1	PP		
22	011424608	NAME PLATE	1			
23	011501501	O-RING	1	NBR	1517-46.5	
24	011398901	O-RING	1	NBR	P74	
25	743119063	HEXAGON BOLT	4	SWRM	M10X30	
26	743119053	HEXAGON BOLT	4	SWRM	M8X40	
27	734532076	HEXAGON SOCKET BOLT	4	SCM	M8X60	
28	827419008	HEXAGON NUT	4	SWRM	M8	
29	854255008	SEAL WASHER	4		φ 8	
	011424706	PACKING CASE	1			

◆ Bare engine can not be supplied

SEM-80X



DWG No.011944516 MODEL:SEM-80X (GM182PN) FORM:SEM-80X-BAC-5

No.	PARTS CODE	PARTS NAME	QTY	MATERIAL	SIZE	REMARKS
	011483506	SEM(GM) OPERATION MANUAL	1			
	011473401	ENGINE CAUTION LABEL A	1			
	011473501	ENGINE CAUTION LABEL B	1			
	011471806	CE MARK LABEL	1			
	011471302	CAUTION LABEL	1			
	011488404	DECLARATION	1			
	011643301	EU NOISE LABEL(104)	1			

◆ Bare engine can not be supplied