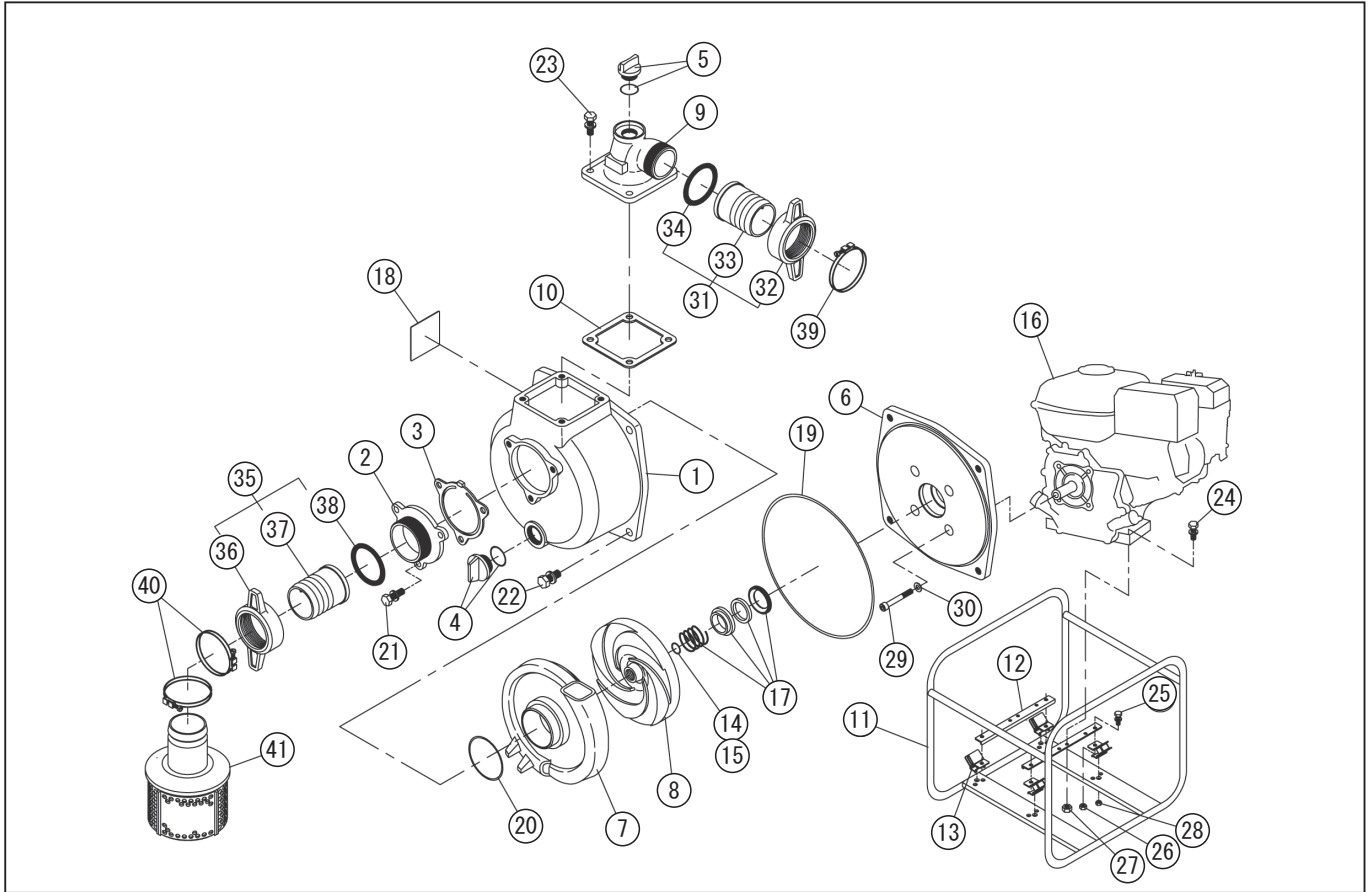


DWG No.012889410 MODEL:SER-50EX FORM:SER-50EX-BAA-1

No.	PARTS CODE	PARTS NAME	QTY	MATERIAL/SIZE	LIST PRICE	REMARKS
1	0122155	PUMP CASING	1	ADC		
2	0114004	SER-50 SUCTION FLANGE	1	ADC		
3	0112799	CHECK VALVE	1	NBR		
4	0118079	25A PLUG SET	1			
5	0118078	20A PLUG SET	1			
6	0110722	SER-50 FLANGE BRACKET	1	ADC		
7	0112819	SER-50 VOLUTE CASING	1	FC-20		
8	0112862	SER-50 IMPELLER	1	FC-20		
9	0114209	SER-50 DELIVERY FLANGE	1	ADC		
10	0110584	FLANGE PACKING	1	CR		
11	0117950	SER-50EX BASE SET	1			
12	0120338	ENGINE BASE	2			
13	0116172	CUSHION RUBBER	4	CR 60°		
14	0110081	ADJUSTING WASHER	3	T0.3		
15	0113016	ADJUSTING WASHER	2	T0.1		
16	0120764	EX270D10194ENGINE	1			
17	0110862	SER-50 MECHANICAL SEAL	1	HG9A-MN(H) φ 25		
18	0120252	NAME PLATE	1			
19	0115016	O-RING 1517-51.5	1	1517-51.5 NBR		
20	0113989	O-RING P74	1	P74 NBR		
21	743119061	BOLT	3	M10×25 SWRM		
22	743119078	BOLT	4	M12×30 SWRM		
23	743119063	BOLT	4	M10×30 SWRM		
24	743119067	BOLT	4	M10×40 SWRM		
25	743119076	BOLT	4	M12×25 SWRM		
26	827419012	NUT	4	M12 SWRM		
27	827419010	NUT	4	M10 SWRM		
28	842319008	SPRING NUT	4	SWRM		
29	734532076	SOCKET BOLT	4	M8×60 SCM CS		
30	854255008	SEAL WASHER	4	φ 8		

◆ Bare engine can not be supplied



DWG No.012889410 MODEL:SER-50EX FORM:SER-50EX-BAA-1

No.	PARTS CODE	PARTS NAME	QTY	MATERIAL/SIZE	LIST PRICE	REMARKS
31	0117026	COUPLING SET	1			
32	0113390	COUPLING	1	ABS		
33	0110356	HOSE NIPPLE	1	ABS		
34	0113391	COUPLING PACKING	1	NBR		
35	0118017	SE-65L COUPLING SET	1			
36	0110365	SE-65 COUPLING	1	AC		
37	0110366	HOSE NIPPLE	1	ABS		
38	0110367	SE-65 COUPLING PACKING	1	NBR		
39	940019060	HOSE BAND	1	φ 60		
40	940019080	HOSE BAND	2	φ 80		
41	0118046	SER-50 STRAINER SET	1			
	0114718	CE MARK LABEL	1			
	0114713	CAUTION LABEL	1			
	0114818	DECLARATION	1			
	0116435	EU NOISE LABEL(112)	1			

◆ Bare engine can not be supplied