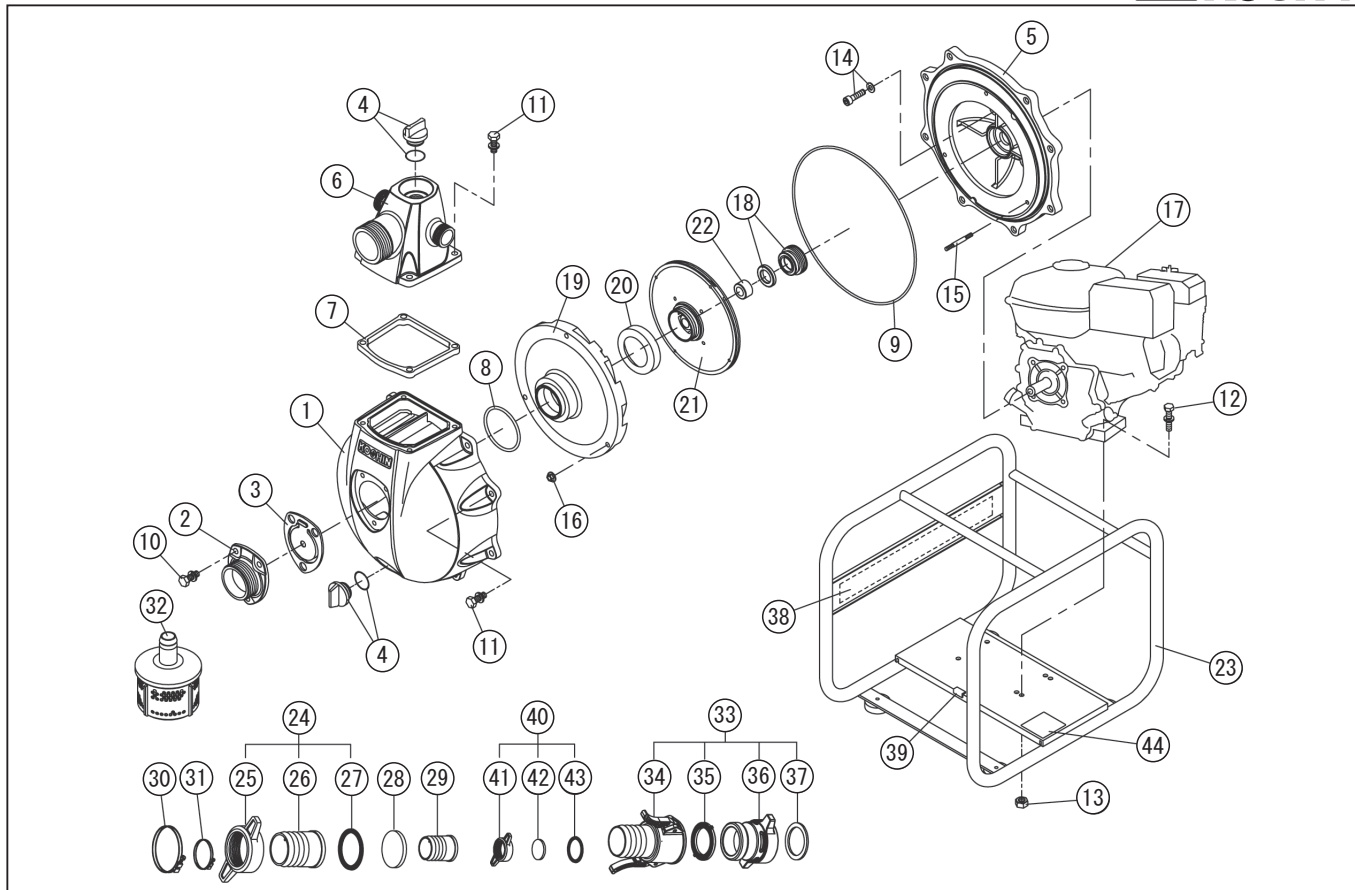


DWG No.012923903 MODELE:SERH-50V FORM:SERH-50V-BAA-0(GX160UT2)

No.	PARTS CODE	PARTS NAME	QTY	MATERIAL/SIZE	REMARKS
1	0120393	PUMP CASING(KOSHIN)	1	ADC"KOSHIN"	
2	0120394	SERM-50V SUCTION FLANGE	1	ADC	
3	0120398	CHECK VALVE	1	NBR	
4	0118078	20A PLUG SET	2		
5	0120396	FLANGE BRAKET	1	ADC	
6	0120395	SERM-50V DELIVERY FLANGE	1	ADC	
7	0120399	DELIVERY FLANGE PACKING	1	NBR	
8	889855056	O-RING P56	1	NBR P56	
9	0115016	O-RING 1517-51.5	1	1517-51.5 NBR	
10	743119045	BOLT	3	M8×20 SWRM	
11	743119047	BOLT	12	M8×25 SWRM	
12	743119053	BOLT	4	M8×40 SWRM	
13	827419008	NUT	4	M8	
14	0120437	SOCKET BOLT	4	SCM M8×30×S22	
15	0120438	STUD BOLT	3	M6×46(12/12) SUS	
16	0120439	NUT	3	M6SUS	
17	0122179	GX160UT2 WMT4 ENGINE	1		
18	0120389	MECHANICAL SEAL	1	φ 20	
19	0120390	VOLUTE CASING	1	FC	
20	0120397	WEARING	1		
21	0117990	IMPELLER ASSY	1	FC	
22	0120448	IMPELLER BUSH	1	S45C	
23	0117992	BASE SET	1	BLACK	
24	0117041	SE-50X COUPLING SET	1	ADC+ADC+NBR	
25	0110355	SE-50 COUPLING	1	ADC	
26	0112453	HOSE NIPPLE	1	ADC	
27	0110766	COUPLING PACKING	1	NBR	
28	0120486	SEALING PLATE (50)	1		
29	0110423	25 HOSE NIPPLE	2	ADC12	
30	940019060	HOSE BAND	3	φ 60	

◆ Bare engine can not be supplied



DWG No.012923903 MODELE:SERH-50V FORM:SERH-50V-BAA-0(GX160UT2)

No.	PARTS CODE	PARTS NAME	QTY	MATERIAL/SIZE	REMARKS
31	940019032	HOSE BAND	2	φ 32	
32	0118047	SER-40 STRAINER SET	1		
33	0118357	SE-50X QUICK COUPLING ASSY	1	ADC	
34	0117491	SE-50X CAM LOCK NIPPLE	1		
35	0113487	SE-50 PACKING CAM LOCK	1	NBR HS50 °	
36	0112837	CAM LOCK BODY	1	ADC	
37	0110766	CAM LOCK BODY PACKING	1	NBR	
38	0122195	PLATE LABEL	1		
39	0120471	RUBBER SHEET	1		
40	0118009	SEALING COUPLING ASSY(25)	2	ADC	
41	0110422	COUPLING	2	ADC12	
42	0120485	SEALING PLATE(25)	2		
43	0110192	COUPLING PACKING	2	NBR	
44	0122185	NAME PLATE	1		
	0114718	CE MARK LABEL	1		
	0116433	EU NOISE LABEL	1		
	0114713	CAUTION LABEL	1		
	0114820	SEH DECLARATION	1		

◆ Bare engine can not be supplied