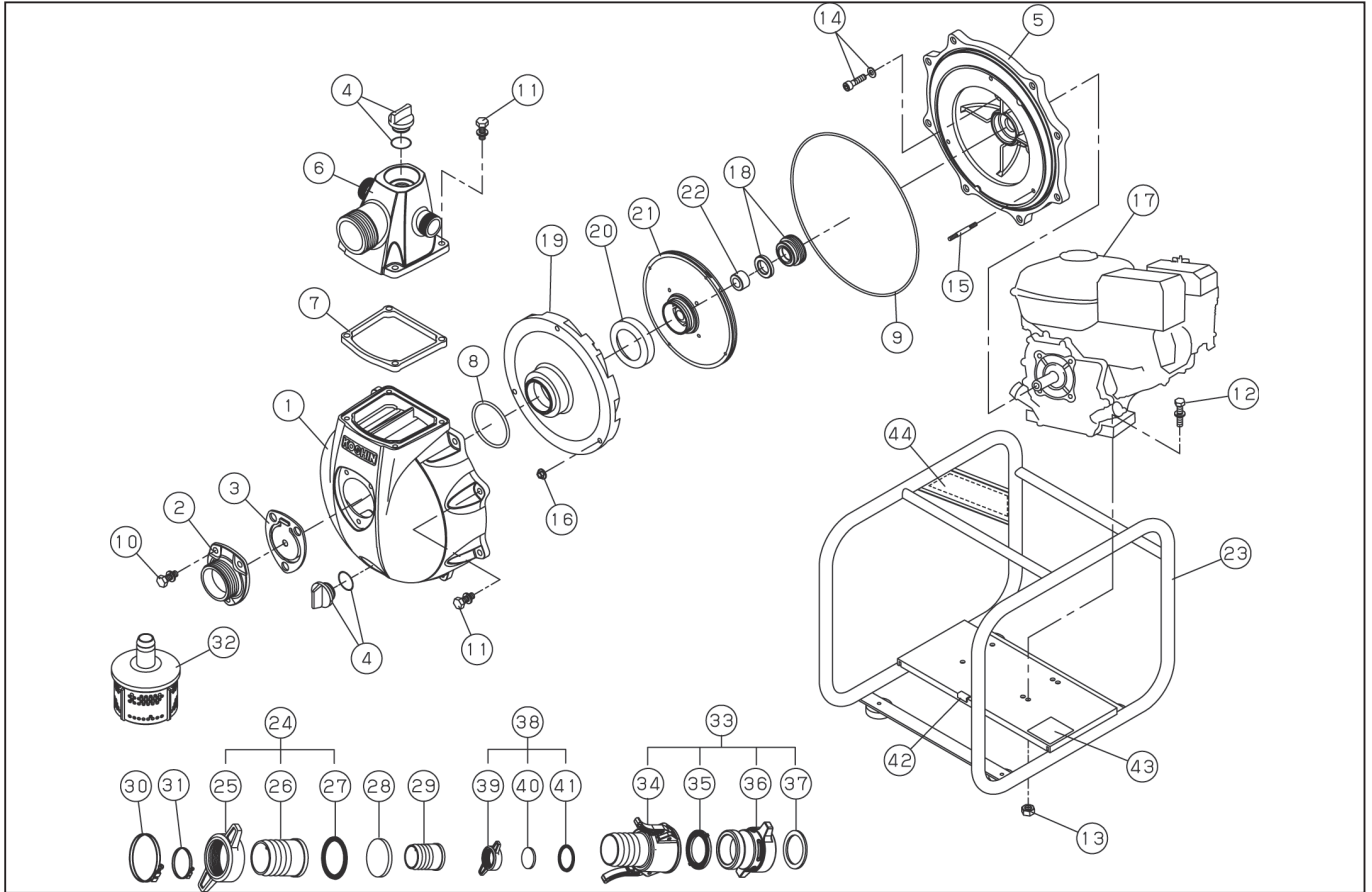


DWG No.013852701 MODEL:SERV-50Z FORM:SERV-50Z-BAA-0

No.	PARTS CODE	PARTS NAME	QTY	MATERIAL/SIZE	REMARKS
1	0120393	PUMP CASING	1	ADC	
2	0120394	SUCTION FLANGE	1	ADC	
3	0120398	CHECK VALVE	1	NBR	
4	0118078	20A PLUG SET	2		
5	0120396	FLANGE BRACKET	1	ADC	
6	0120395	DELIVERY FLANGE	1	ADC	
7	0120399	DELIVERY FLANGE PACKING	1	NBR	
8	889855056	O-RING	1	P56 NBR	
9	0115016	O-RING	1	1517-51.5 NBR	
10	743119045	BOLT	3	M8×20 SWRM	
11	743119047	BOLT	12	M8×25 SWRM	
12	743119053	BOLT	4	M8×40 SWRM	
13	827419008	NUT	4	M8 SWRM	
14	0120437	SOCKET BOLT	4	M8×30×S22 SCM	
15	0120438	STUD BOLT	3	M6×46 SUS	
16	0120439	NUT	3	M6 SUS	
17	-	ENGINE	1	K210HI-AO-P	
18	0120389	MECHANICAL SEAL	1	φ20	
19	0120390	VOLUTE CASING	1	FC	
20	0120397	WEARING	1		
21	0117990	IMPELLER ASSY	1	FC	
22	0120448	IMPELLER BUSH	1	S45C	
23	0127370	BASE SET	1	BLACK	
24	0117041	COUPLING SET	1		
25	0110355	COUPLING	1	ADC	
26	0112453	HOSE NIPPLE	1	ADC	
27	0110766	COUPLING PACKING	1	NBR	
28	0120486	SEALING PLATE (50)	1		
29	0110423	HOSE NIPPLE(25)	2	ADC	
30	940019060	HOSE BAND	3	φ60	

◆ Bare engine can not be supplied



DWG No.013852701 MODEL:SERV-50Z FORM:SERV-50Z-BAA-0

No.	PARTS CODE	PARTS NAME	QTY	MATERIAL/SIZE	REMARKS
31	940019032	HOSE BAND	2	φ 32	
32	0118047	STRAINER SET	1		
33	0118357	QUICK COUPLING ASSY	1	ADC	
34	0117491	CAM LOCK NIPPLE	1		
35	0113487	CAM LOCK PACKING	1	NBR	
36	0112837	CIM LOCK BODY	1	ADC	
37	0110766	CAM LOCK BODY PACKING	1	NBR	
38	0118009	SEALING COUPLING ASSY(25)	2		
39	0110422	COUPLING	2	ADC	
40	0120485	SEALING PLATE(25)	2		
41	0110192	COUPLING PACKING	2	NBR	
42	0120471	RUBBER SHEET	1	CR70 [*]	
43	0123447	NAME PLATE	1		
44	0122307	SIDE PANEL LABEL	1		
	0123448	PACKING CASE	1		
	0120474	OPERATION MANUAL	1		
	0123449	MANUAL(SPEC)	1		

◆ Bare engine can not be supplied