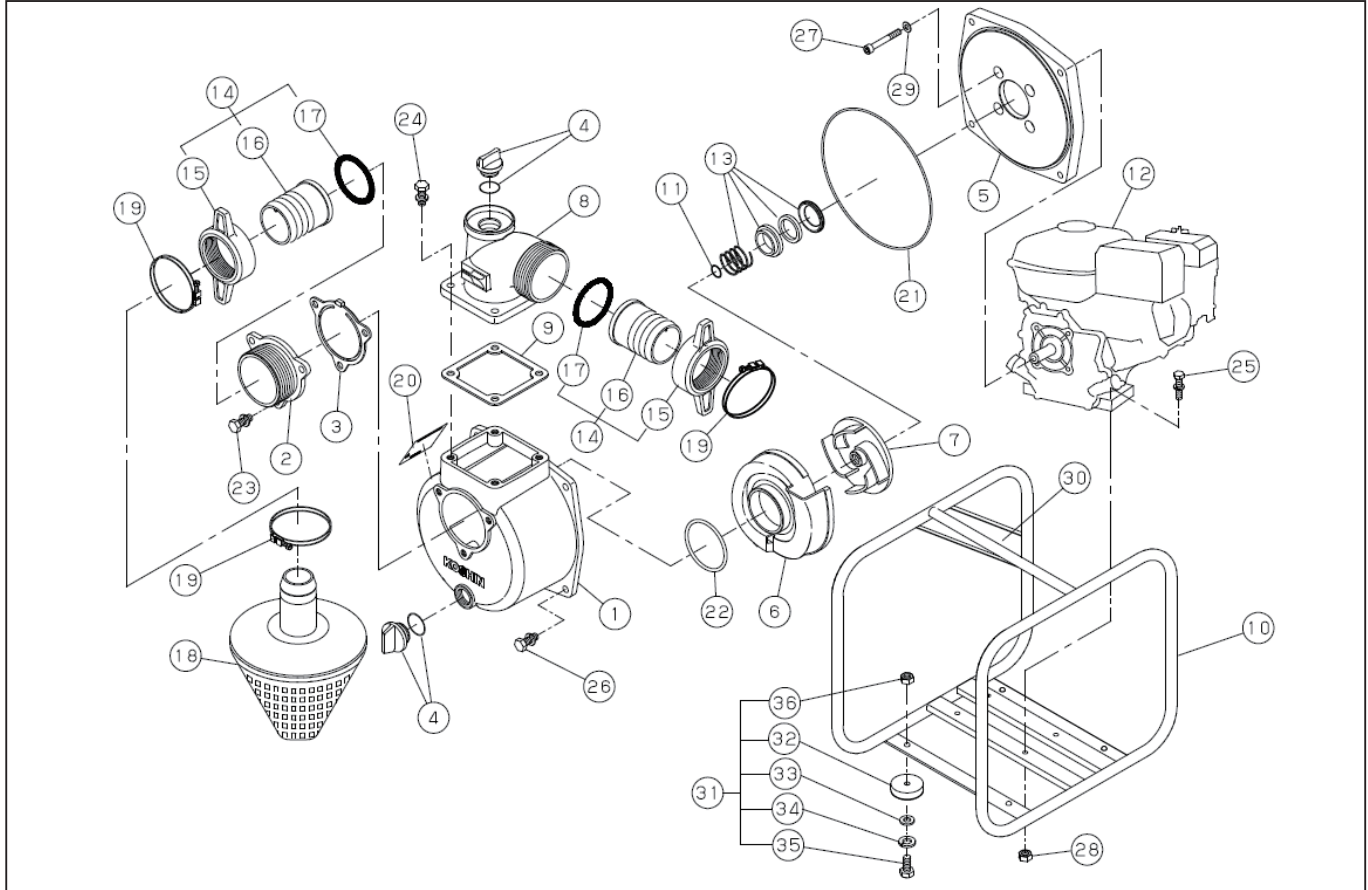


DWG No.012910619 MODEL:SEV-50X FORM:SEV-50X-BAF-4

No.	PARTS CODE	PARTS NAME	QTY	MATERIAL/SIZE	REMARKS
1	0120195	PUMP CASE	1	ADC	
2	0112662	SUCTION FLANGE (G)	1	ADC	
3	0112665	CHECK VALVE	1	NBR	
4	011807804	20A PLUG SET	2		
5	0121226	FLANGE BRACKET	1	ADC12	
6	0120933	VOLUTE CASING	1	FC200	
7	0121227	IMPELLER	1	FC200	
8	0110556	DELIVERY FLANGE	1		
9	0123234	FLANGE PACKING	1	NBR	
10	0128318	BASE ASSY	1	BLACK	
11	0110491	IMPELLER ADJUSTING WASHER	3	BSP1 T0.3	
12	0121216	ENGINE	1	K180-A3-P	
13	0110664	MECHANICAL SEAL	1	φ 20	
14	0127122	COUPLING SET	2	ABS	
15	0122496	COUPLING	2	ABS	
16	0122497	NIPPLE	2	ABS	
17	0113391	COUPLING PACKING	2	NBR	
18	0127123	STRAINER SET	1	PP	
19	940019060	HOSE BAND	3	φ 60	
20	0121297	NAME PLATE	1		
21	0123213	O-RING	1	1517-42.5 NBR	
22	0112792	O-RING	1	P54 NBR	
23	743119045	BOLT	3	M8 × 20 SWRM	
24	743119047	BOLT	4	M8 × 25 SWRM	
25	743119051	BOLT	4	M8 × 35 SWRM	
26	743119046	BOLT	4	M8 × 22 SWRM	
27	734532076	SOCKET BOLT	4	M8 × 60 SCM	
28	827419008	NUT	4	M8 SWRM	
29	854255008	SEAL WASHER	4	φ 8	
30	0122307	SIDE PANEL LABEL	1		

◆ Bare engine can not be supplied



DWG No.012910619 MODEL:SEV-50X FORM:SEV-50X-BAF-4

No.	PARTS CODE	PARTS NAME	QTY	MATERIAL/SIZE	REMARKS
31	0117345	CUSHION RUBBER SET	1		
32	0110515	CUSHION RUBBER	4	EPDM	
33	846007008	WASHER	4	φ 8	
34	843822008	SPRING WASHER	4	φ 8	
35	735719148	BOLT	4	M8 × 20	
36	827419008	NUT	4	M8 SWRM	

◆ Bare engine can not be supplied