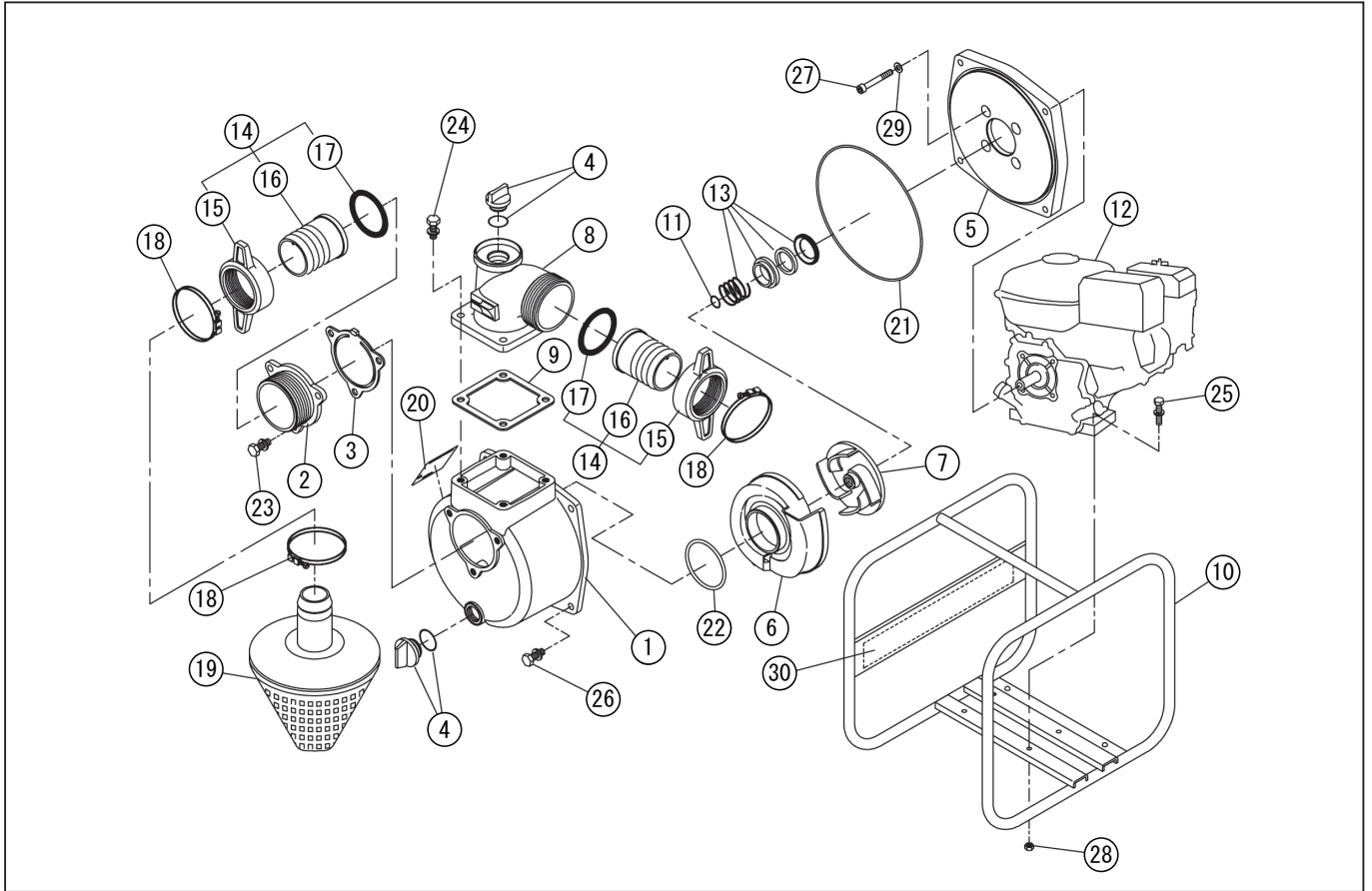


DWG No.012911703 MODEL:SEV-50X FORM:SEV-50X-BAI-0

No.	PARTS CODE	PARTS NAME	QTY	MATERIAL/SIZE	REMARKS
1	0120195	PUMP CASING	1	ADC	
2	0112662	SUCTION FLANGE	1	ADC	
3	0112665	CHECK VALVE	1	NBR	
4	0118078	20A PLUG SET	2		
5	0121226	FLANGE BRACKET	1	ADC12	
6	0120933	VOLUTE CASING	1	FC200	
7	0121227	IMPELLER	1	FC200	
8	0110556	DELIVERY FLANGE	1	PS	
9	0110541	DELIVERY FLANGE PACKING	1	CR 70 °	
10	0128314	BASE SET	1		
11	0110491	IMPELLER ADJUSTING WASHER	3	BSP	
12	0121216	ENGINE (WITHOUT ALERT)	1	KOSHIN K180-3	
13	0110664	MECHANICAL SEAL	1	φ 20	
14	0117026	COUPLING SET	2		
15	0113390	COUPLING	2	ABS	
16	0110356	HOSE NIPPLE	2	ABS	
17	0113391	COUPLING PACKING	2	NBR	
18	940019060	HOSE BAND	3	φ 60	
19	0118159	STRAINER SET	1	PP	
20	0121339	NAME PLATE	1		
21	0115014	O-RING	1	1517-42.5 NBR	
22	0112792	O-RING	1	P54 NBR	
23	743119045	HEXAGON BOLT	3	M8X20 SWRM	
24	743119047	HEXAGON BOLT	4	M8X25 SWRM	
25	743119051	HEXAGON BOLT	4	M8X35 SWRM	
26	743119046	HEXAGON BOLT	4	M8X22 SWRM	
27	734532076	HEXAGON SOCKET BOLT	4	M8X60 SCM CS	
28	827419008	HEXAGON NUT	4	M8 SWRM	
29	854255008	SEAL WASHER	4	φ 8	
30	0120428	SIDE PANEL LABEL	1		



DWG No.012909806 MODEL:SEV-50X FORM:SEV-50X-BAE-0

No.	PARTS CODE	PARTS NAME	QTY	MATERIAL/SIZE	REMARKS
	0121271	PACKING CASE	1		

◆ Bare engine can not be supplied