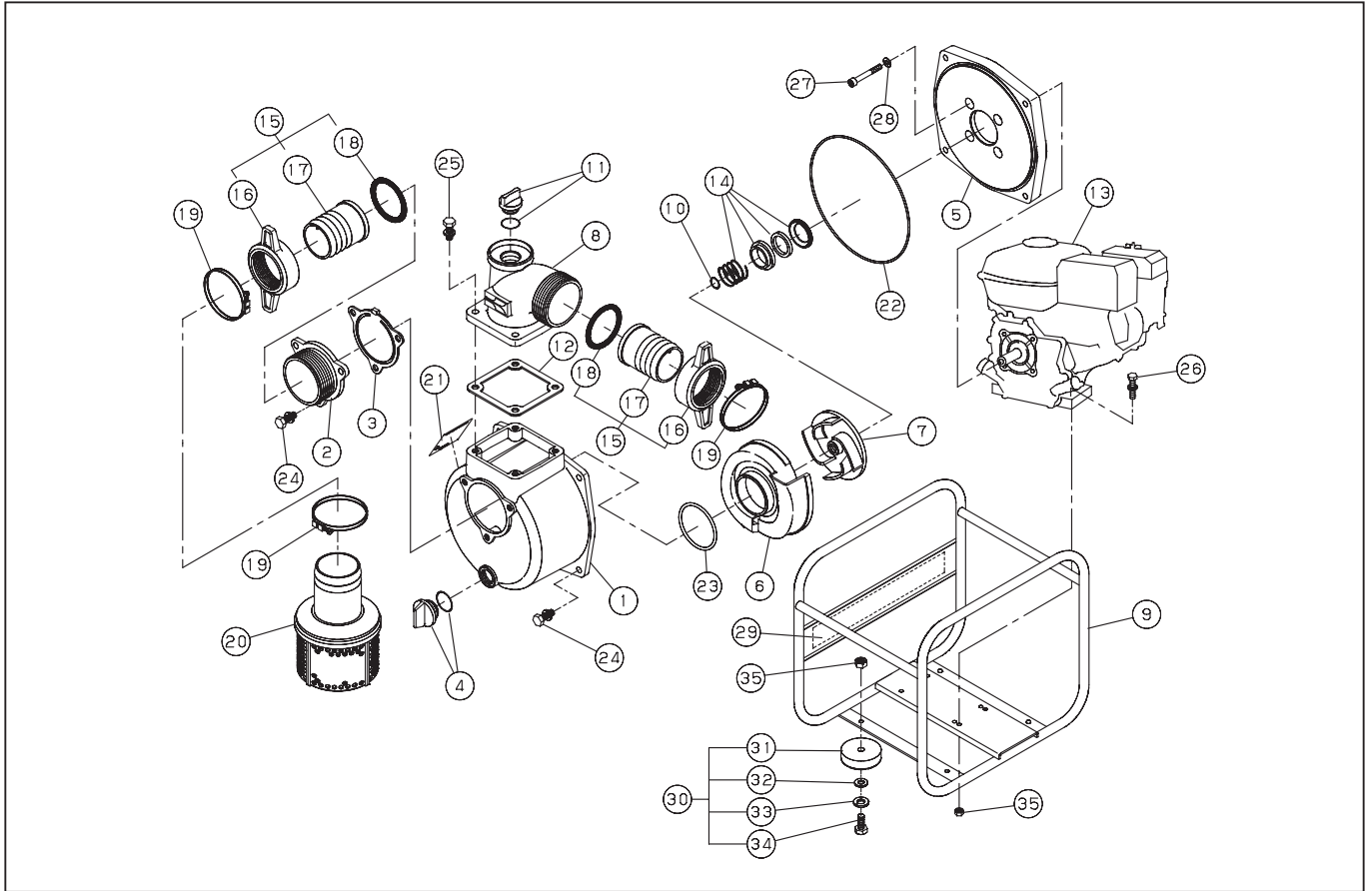


SEV-80X

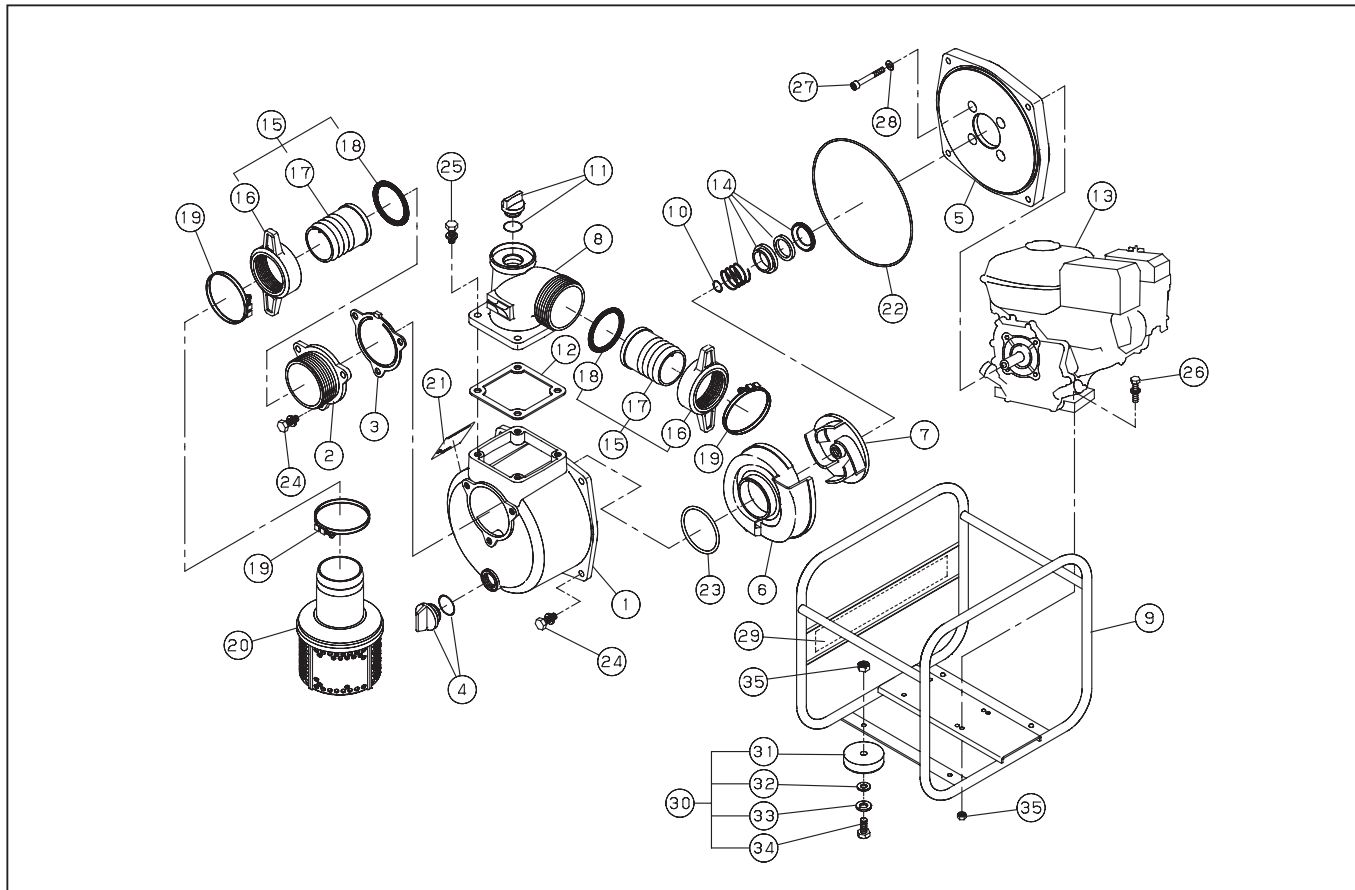


DWG No. 012910703 MODEL:SEV-80X FORM:SEV-80X-BAE-0

No.	PARTS CODE	PARTS NAME	QTY	MATERIAL	SIZE	REMARKS
1	012019602	PUMP CASING	1	ADC		
2	011279701	SUCTION FLANGE	1	ADC		
3	011279902	CHECK VALVE	1			
4	011807802	20A PLUG SET	1			
5	011279601	FLANGE BRACKET	1	ADC		
6	012123701	VOLUTE CASING	1			
7	012104602	IMPELLER	1			
8	011057005	DELIVERY FLANGE	1			
9	012832001	BASE SET	1			
10	011049102	IMPELLER ADJUSTING WASHER	3	BSP		
11	011807901	25A PLUG SET	1			
12	011058402	FLANGE PACKING	1	CR		
13	012121601	ENGINE	1			
14	011066402	MECHANICAL SEAL	1		φ 20	
15	011702804	COUPLING SET	2			
16	011437503	COUPLING	2			
17	011030106	HOSE NIPPLE	2			
18	011437802	COUPLING PACKING	2			
19	940019090	HOSE BAND	3			
20	011819502	STRAINER	1			
21	012129801	NAME PLATE	1			
22	011501502	O-RING	1			
23	011398902	O-RING	1			
24	743119061	HEXAGON BOLT	7	SWRM	M10X25	
25	743119063	HEXAGON BOLT	4	SWRM	M10X30	
26	743119053	HEXAGON BOLT	4	SWRM	M8X40	
27	734532076	HEXAGON SOCKET BOLT	4	SCM	M8X60	
28	854255008	SEAL WASHER	4		φ 8	
29	012042802	SIDE PANEL LABEL	1			
30	011734501	CUSHION RUBBER SET	1			

◆ Bare engine can not be supplied

SEV-80X



DWG No. 012910703 MODEL:SEV-80X FORM:SEV-80X-BAE-0

No.	PARTS CODE	PARTS NAME	QTY	MATERIAL	SIZE	REMARKS
31	011051502	CUSHION RUBBER	4	F-23		
32	846007008	WASHER	4		φ 8	
33	843822008	SPRING WASHER	4		φ 8	
34	735719148	HEXAGON BOLT	4		M8X20	
35	827419008	HEXAGON NUT	8	SWRM	M8	
	012831001	OPERATION MANUAL SET	1			
	012130001	PACKING CASE	1			

◆ Bare engine can not be supplied