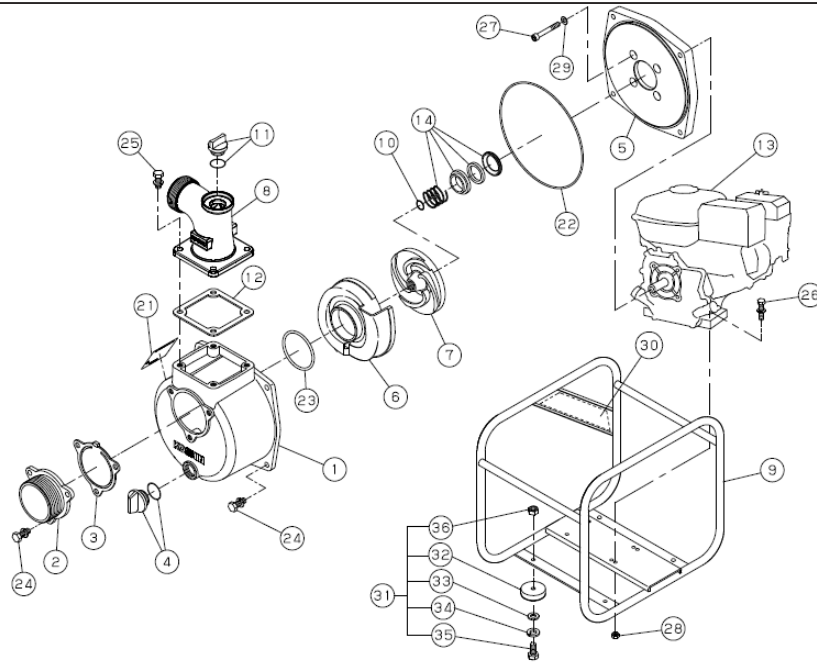


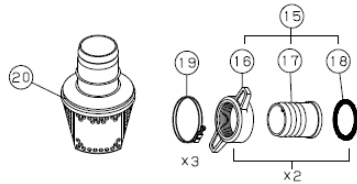
DWG No.012910814 MODEL:SEV-80X FORM:SEV-80X-BAF-4

No.	PARTS CODE	PARTS NAME	QTY	MATERIAL/SIZE	REMARKS
1	0120196	PUMP CASING	1	ADC	
2	0114213	SUCTION FLANGE	1	ADC	
3	0112799	CHECK VALVE	1	NBR	
4	0118078	20A PLUG SET	1		
5	0112796	FLANGE BRACKET	1	ADC	
6	0121047	VOLUTE CASING	1	FC200	
7	0121046	IMPELLER	1	FC200	
8	0110886	DELIVERY FLANGE	1	ADC	
9	0128324	BASE SET	1	BLACK	
10	0110491	IMPELLER ADJUSTING WASHER	3	BSP1 T0.3	
11	0118079	25A PLUG SET	1		
12	0123206	FLANGE PACKING	1	CR	
13	0121216	ENGINE	1	K180-A3-P	
14	0110664	MECHANICAL SEAL	1	φ 20	
15	0118054	COUPLING SET	2		
16	0110888	COUPLING	2	ADC	
17	0122501	NIPPLE	2	ABS	
18	0110889	COUPLING PACKING	2	NBR	
19	940019090	HOSE BAND	3	φ 90	
20	0127126	STRAINER SET	1	PP	
21	0121305	NAME PLATE	1		
22	0123214	O-RING	1	1517-46.5 NBR	
23	0113989	O-RING	1	P74 NBR	
24	743119061	BOLT	7	M10 × 25 SWRM	
25	743119063	BOLT	4	M10 × 30 SWRM	
26	743119053	BOLT	4	M8 × 40 SWRM	
27	734532076	SOCKET BOLT	4	M8 × 60 SCM	
28	827419008	NUT	4	M8 SWRM	
29	854255008	SEAL WASHER	4	φ 8	
30	0122307	SIDE PANEL LABEL	1		

◆ Bare engine can not be supplied



(ACCESSORIES)



DWG No.012910814 MODEL:SEV-80X FORM:SEV-80X-BAF-4

No.	PARTS CODE	PARTS NAME	QTY	MATERIAL/SIZE	REMARKS
31	0117345	CUSHION RUBBER SET	1		
32	0110515	CUSHION RUBBER	4	EPDM	
33	846007008	WASHER	4	φ 8	
34	843822008	SPRING WASHER	4	φ 8	
35	735719148	BOLT	4	M8 × 20	
36	827419008	NUT	4	M8 SWRM	

◆ Bare engine can not be supplied