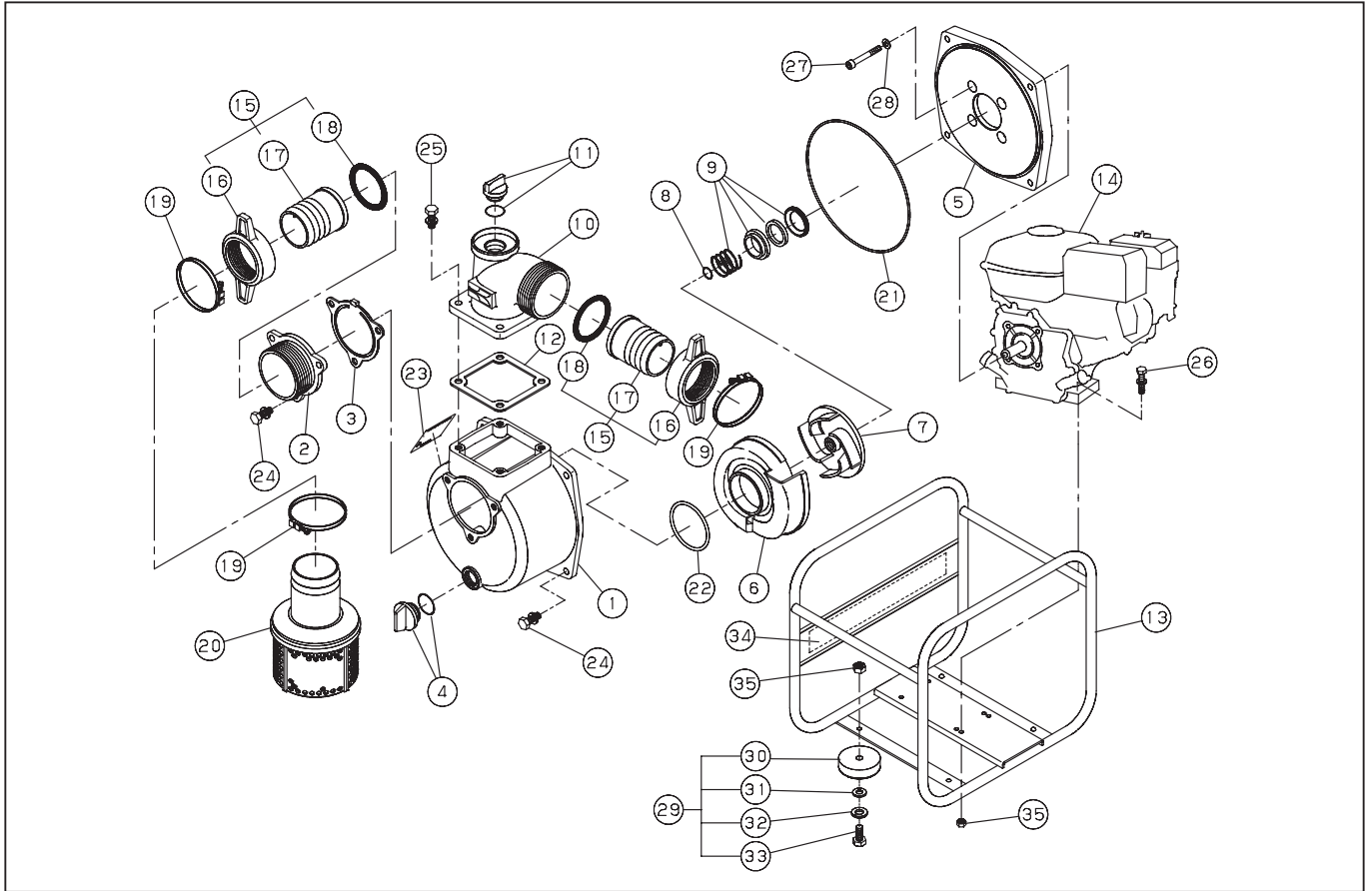


SEV-80X

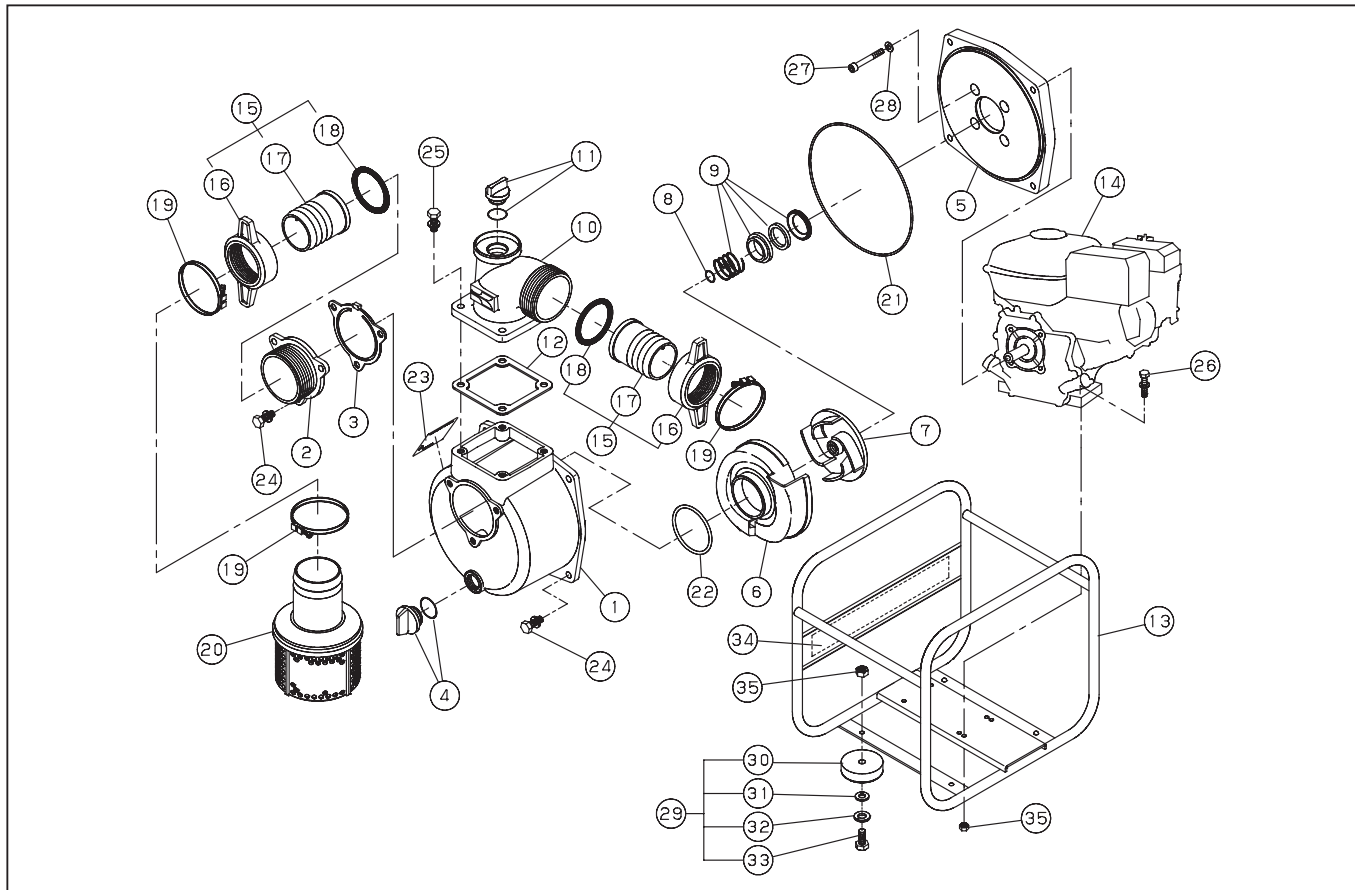


DWG No. 012910802 MODEL:SEV-80X FORM:SEV-80X-BAF-0

No.	PARTS CODE	PARTS NAME	QTY	MATERIAL	SIZE	REMARKS
1	012019602	PUMP CASING	1	ADC		
2	011421301	SUCTION FLANGE	1	ADC		
3	011279902	CHECK VALVE	1			
4	011807802	20A PLUG SET	1			
5	012130401	FLANGE BRACKET	1			
6	012123701	VOLUTE CASING	1			
7	012104602	IMPELLER	1			
8	846007008	IMPELLER ADJUSTING WASHER	4		φ 8	
9	011066402	MECHANICAL SEAL	1		φ 20	
10	011088603	DELIVERY FLANGE	1			
11	011807901	25A PLUG SET	1			
12	011058402	FLANGE PACKING	1	CR		
13	012832401	BASE SET	1			
14	012121601	ENGINE	1			(K-180)
15	011805402	COUPLING SET	2	NIPPLE=ABS CP=ADC		
16	011088802	COUPLING	2	ADC	80	
17	011030105	NIPPLE	2	ABS		
18	011088902	COUPLING PACKING	2	NBR		
19	940019090	HOSE BAND	3		φ 90	
20	011819502	STRAINER SET	1			
21	011501502	O-RING	1	NBR	11517-46.5	
22	011398902	O-RING	1	NBR	P74	
23	012130501	NAME PLATE	1			
24	743119061	HEXAGON BOLT	7	SWRM	M10X25	
25	743119063	HEXAGON BOLT	4	SWRM	M10X30	
26	743119053	HEXAGON BOLT	4	SWRM	M8X40	
27	734532076	HEXAGON SOCKET BOLT	4	SCM	M8X60	
28	854255008	SEAL WASHER	4		φ 8	
29	011734501	CUSHION RUBBER SET	1			
30	011051502	CUSHION RUBBER	4	F-23		

◆ Bare engine can not be supplied

SEV-80X



DWG No. 012910802 MODEL:SEV-80X FORM:SEV-80X-BAF-0

No.	PARTS CODE	PARTS NAME	QTY	MATERIAL	SIZE	REMARKS
31	846007008	WASHER				
32	843822008	SPRING WASHER	4		φ 8	
33	735719148	HEXAGON BOLT	4		M8X20	
34	012042802	SIDE PANEL LABEL	1			
35	827419008	HEXAGON NUT	8	SWRM	M8	
	012832501	MANUAL SET	1		φ 8	

◆ Bare engine can not be supplied