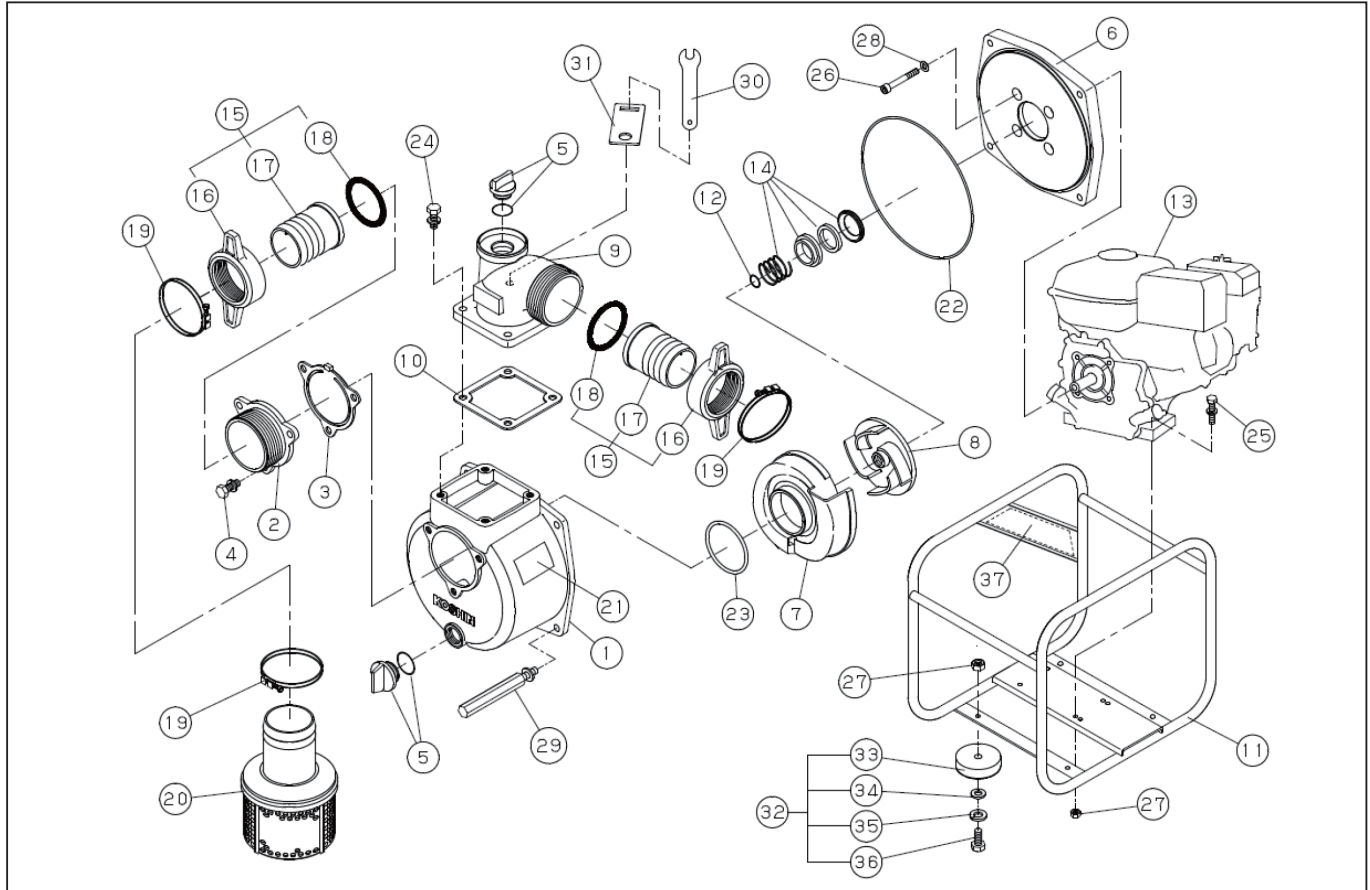


DWG No.013863701 MODEL : STH-50X FORM : STH-50X-BFK-0

No.	PARTS CODE	PARTS NAME	QTY	MATERIAL/SIZE	REMARKS
1	0120195	PUMP CASE	1	ADC	
2	0112662	SUCTION FLANGE	1	ADC	
3	0112665	CHECK VALVE	1	NBR	
4	743119045	BOLT	3	SWRM M8 × 20	
5	0118078	20A PLUG SET	2		
6	0114027	FLANGE BRACKET	1	ADC	
7	0115169	VOLUTE CASING	1	FCD	
8	0121342	IMPELLER	1	FCD	
9	0110556	DELIVERY FLANGE	1	ADC	
10	0123234	FLANGE PACKING	1	NBR	
11	0128245	BASE SET	1		
12	0110466	ADJUSTING WASHER	3	C2801P T0.3	
13	-	ENGINE	1	HONDA GX160	
14	0115159	MECHANICAL SEAL	1	Φ 20	
15	0117026	COUPLING SET	2	ABS	
16	0113390	COUPLING	2	ABS	
17	0110356	HOSE NIPPLE	2	ABS	
18	0123211	COUPLING PACKING	2	NBR	
19	940019060	HOSE BAND	3	φ 60	
20	0111286	STRAINER	1	SPC	
21	0123787	NAME PLATE	1		
22	0123213	O-RING	1	NBR 1517-42.5	
23	0112792	O-RING	1	NBR P54	
24	743119047	BOLT	4	SWRM M8 × 25	
25	743119053	BOLT	4	SWRM M8 × 40	
26	734532076	SOCKET BOLT	4	SCM CS M8 × 60	
27	827419008	NUT	8	SWRM M8	
28	854255008	SEAL WASHER	4	φ 8	
29	0123202	LONG BOLT	4	M8 × 118	
30	0115185	SPANNER	1	13MM	

◆ Bare engine can not be supplied



DWG No.013863701 MODEL : STH-50X FORM : STH-50X-BFK-0

No.	PARTS CODE	PARTS NAME	QTY	MATERIAL/SIZE	REMARKS
31	0115230	SPANNER HOLDER	1	SPC	
32	0117345	CUSHION RUBBER SET	1		
33	0110515	CUSHION RUBBER	4	EPDM	
34	846007008	WASHER	4	φ 8	
35	843822008	SPRING WASHER	4	φ 8	
36	735719148	BOLT	4	M8 × 20	
37	0122307	SIDE PANEL LABEL	1		

◆ Bare engine can not be supplied